

# USING THIS CATALOGUE

We have endeavoured to show, by pictures or text, the most frequently used and available items that we hold in stock for the XK 150 range only. Some items are new, some new/old stock, some reproduction and some old secondhand - please state your requirements.

As there are three distinct models, each supplied originally in left hand drive (LHD) format and right hand drive (RHD) format, it is imperative that you tell us at the time of first contact just exactly what you own - ie. RHD Drophead 150 etc.

We use all the obvious abbreviations, as follows:

|              |                       |
|--------------|-----------------------|
| 150 R or OTS | XK150 Roadster        |
| 150 DHC      | XK150 Drophead Coupe  |
| 150 FHC      | XK150 Fixedhead Coupe |
| S.E. or S/E  | Special Equipment     |
| LHD          | Left Hand Drive       |
| RHD          | Right Hand Drive      |

## IDENTIFYING YOUR CAR

All 150's have a chassis number firmly stamped on the flat surface on the near side - looking down at a point adjacent to where the exhaust pipes exit beneath the bulkhead. This same number is also stamped at the point under the radiator.

The Chassis numbers are as follows:

|                   |   |                                  |
|-------------------|---|----------------------------------|
| Roadster 150 RHD  | - | 820001 and on                    |
| Roadster 150 LHD  | - | 830001 and on                    |
| Drophead 150 RHD  | - | 827001 and on                    |
| Drophead 150 LHD  | - | 837001 and on                    |
| Fixedhead 150 RHD | - | 824001 and on                    |
| Fixedhead 150 LHD | - | 834001 and on, and 847001 and on |

The letter 'T' as a prefix to chassis numbers distinguishes the 150 'S' models from the basic cars. The letters 'BW' as a suffix to the chassis number denotes automatic transmission. The letters 'DN' as a suffix to the chassis number denotes that overdrive is fitted.

## Engine Number

All 150's have the letter 'V' somewhere in their engine specification - the full explanation is as follows:

|            |   |                     |
|------------|---|---------------------|
| V.1001-8   | = | 3.4 litre           |
| VA.1001-8  | = | 3.8 litre           |
| VS.1001-9  | = | 3.4 litre 'S' spec. |
| VAS.1001-9 | = | 3.8 litre 'S' spec. |

The suffix 8 or 9 denotes the compression ratio. The engine number is stamped on the flat surface of the block at the point where the oil filter unit bolts on to it. The cylinder head bore the same number, when the cars were new. The cylinder head number appears on the inside bridge point where the front cam covers meet. If there is no number on your cylinder head, this probably denotes a factory replacement unit at some time. Cylinder heads were painted in a shade of duck-egg green for 3.4 litre, metallic blue for 3.8 litre, gold for 3.8 'S' and pumpkin pink for 3.8 'S'. These latter cylinder heads on the 'S' models are known as 'straight port' heads.

## Gearbox Number

150's are fitted with any one of three alternatives:-  
Manual Non-overdrive, with numbers prefixed "JL"  
Manual overdrive with numbers prefixed "JLS"  
Automatic (Model DG250) boxes

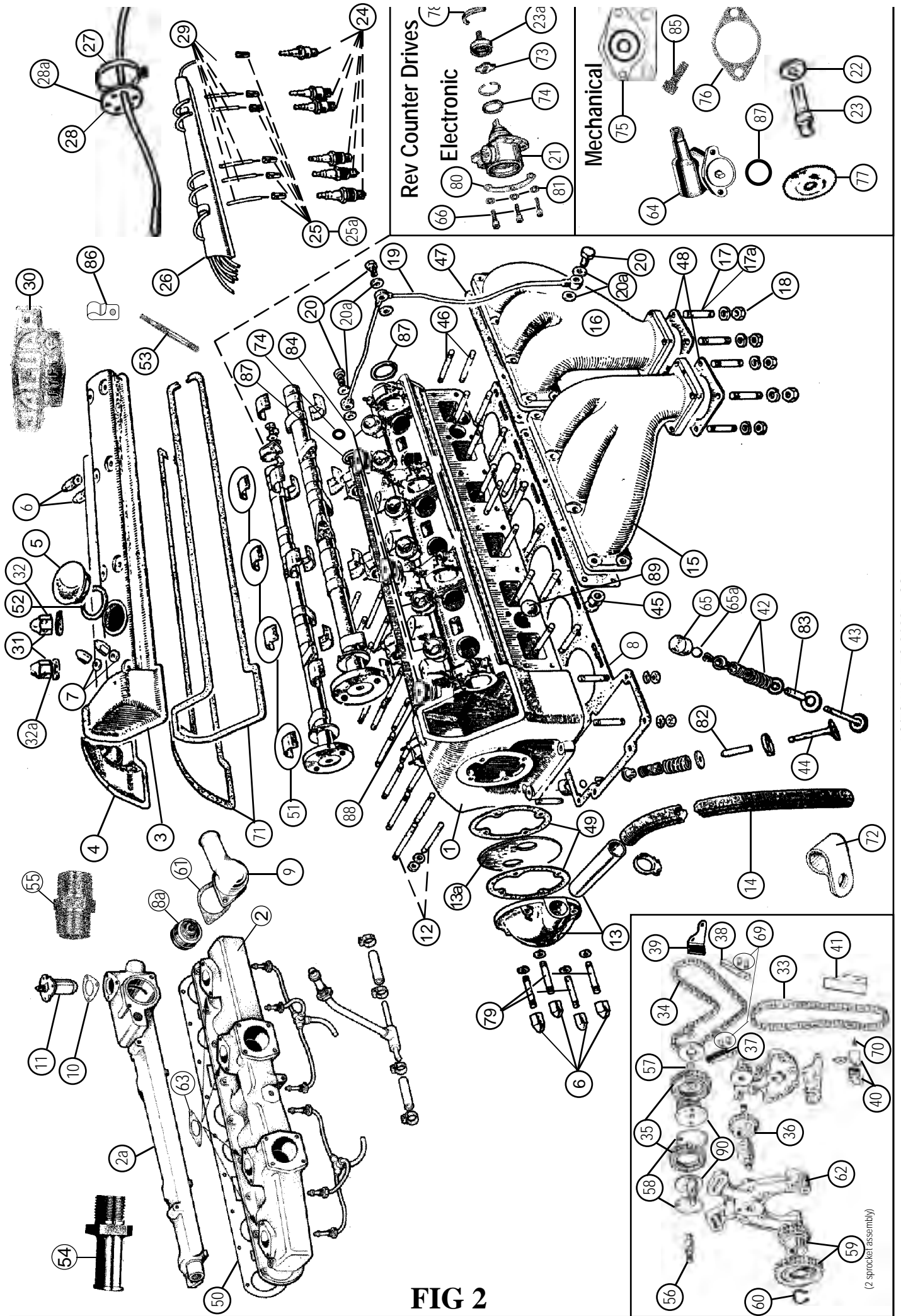
The gearbox number is stamped on the lid around the large rear core plug and also on the very small flat surface on the left hand side upper case of box - see the gearbox illustration.

## Body Number

This number is stamped on a small tag on the upper part of the nearside bulkhead above the control box. 150 Roadsters are body numbered from approximately F.15001 and up, 150 Dropheads from approximately P.6201 and up and 150 Fixedheads - J.7201 and up.

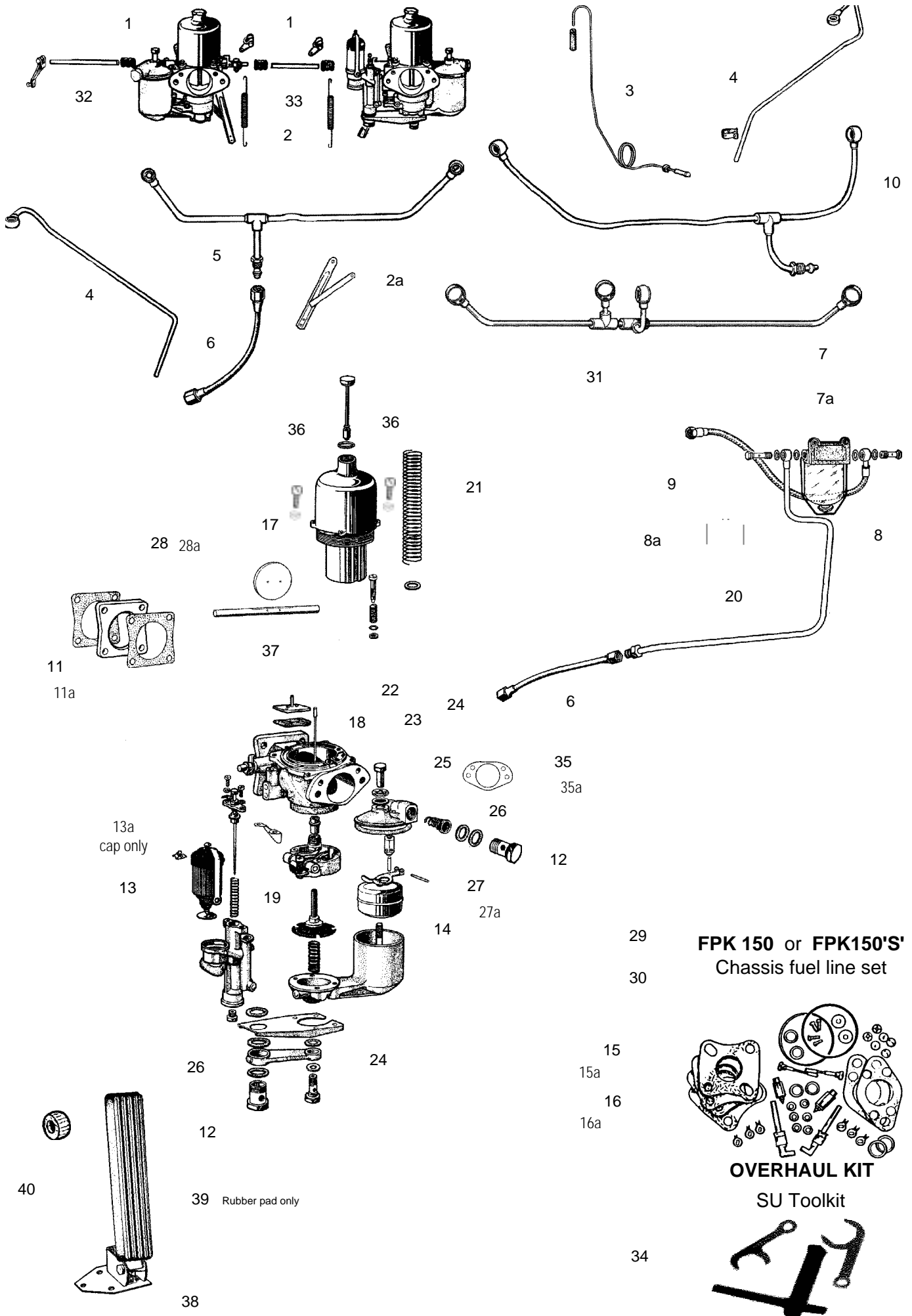


|     | PART #   | DESCRIPTION   | QTY REQ. | REMARKS                                       |
|-----|----------|---|----------|---|
| 1   | C12391   | Engine cooling fan  | 1        | 12 blade                                      |
|     | C5121    | Fan balance weights   | -        | As required                                   |
| 2   | C7631    | Elbow on water pump   | 1        |   |
| 2a  | C7733    | Gasket on water pump elbow                                      | 1        |   |
| 3   | C7644    | Water pump pulley (early engines)                               | 1        | V1001 to V5732                                |
|     | C14588   | Water pump pulley (later engines)                               | 1        | All other engine numbers                      |
| 4   | C7898    | Fan belt  | 1        | V1001 to V1597                                |
|     | C14535/1 | Fan belt  | 1        | All other engine numbers                      |
| 5   | C7618E   | Water pump - <b>Reconditioned</b>                               | 1        | <b>Exchange</b>                               |
| 6   | WPK40/50 | Water pump kit  | 1        | Kit as illustrated                            |
| 6a  | C2303    | Water pump gasket only  | 1        |   |
| 7   | C13232   | Heater return pipe with clips                                   | 1        |   |
| 8   | 1425     | Oil pipe to gauge   | 1        |   |
| 8a  | OFP1     | Special oil flex pipe to gauge                                  | 1        | As option for easier removal of dashboard     |
| 9   | C8068    | Flexible oil pipe from filter head to 1425 pipe                 | 1        |   |
| 10  | C2269    | Cylinder head stud  | 13       |   |
| 11  | C2270    | Dowel stud for cylinder head                                    | 1        |   |
| 12  | C8781    | Dipstick for engine oil level                                   | 1        |   |
| 12a | DSF      | Dipstick felt seal  | 1        |   |
| 13  | C315     | Core plug in engine block                                       | 7        |   |
| 14  | PRS34    | Piston ring - 3.4 litre - <b>state oversize required</b>        | Set      | For 6 pistons                                 |
|     | PRS38    | Piston ring - 3.8 litre - <b>state oversize required</b>        | Set      | For 6 pistons                                 |
| 15  | C2316    | Crank thrust washer - <b>oversize also available</b>            | Pair     | Sold as pair only                             |
| 16  | C12098   | Piston - 3.4 litre - <b>state oversize required</b>             | Set      | Set of 6 with rings & gudgeon pins + circlips |
|     | C14806   | Piston - 3.8 litre - 8:1 comp. - <b>state oversize required</b> | Set      | Set of 6 with rings & gudgeon pins + circlips |
|     | C13794   | Piston - 3.8 litre - 9:1 comp. - <b>state oversize required</b> | Set      | Set of 6 with rings & gudgeon pins + circlips |
| 17  | C7917    | Con rod - each  | 6        | Also stronger type available                  |
| 17a | C2361    | Nut for con-rod - for big-ends                                  | 12       | Special self-locking type                     |
| 17b | C3944    | Bolt for con-rod - for big-ends                                 | 12       |   |
| 18  | C16295   | Big end bearings - <b>state oversize required</b>               | Set      | Sold as set of 12 halves                      |
| 19  | C16293-4 | Main bearings - <b>state oversize required</b>                  | Set      | Sold as set of 14 halves                      |
| 20  | C8619    | Dynamo mounting bracket   | 1        | From eng. G1908 onwards                       |
| 21  | C12948   | Engine mounting bracket <b>rear R/hand</b>                      | 1        |   |
| 22  | C12949   | Engine mounting bracket <b>rear L/hand</b>                      | 1        |   |
| 23  | C8784    | Engine mounting bracket <b>front R/Hand</b>                     | 1        |   |
| 24  | C8783    | Engine mounting bracket <b>front L/hand</b>                     | 1        |   |
| 25  | C8614    | Front timing cover  | 1        | Second-hand only                              |
| 25a | C8615    | Timing cover gaskets  | Pair     |   |
| 27  | C4794    | Engine mounting   | 4        | Same front and rear                           |
| 27a | C4302    | Packing piece (shim) for engine mounts                          | As req.  | 0.085" thick                                  |
| 28  | C15274E  | Crankshaft damper - <b>reconditioned</b>                        | 1        | <b>Exchange</b>                               |
| 29  | C7275    | Fan pulley on crankshaft - <b>Early</b>                         | 1        | V1001 to V5732 & VS1001 to VS1522             |
|     | C14589   | Fan pulley on crankshaft - <b>Late</b>                          | 1        | All other engine no's                         |
| 30  | C2467    | Locking tab on crank pulley                                     | 1        |   |
| 31  | C4809E   | Flywheel - refaced with new ring gear                           | 1        | <b>Exchange</b>                               |
| 31a | C4809RG  | Flywheel ring gear only   | 1        | <b>Specialist job to fit!!</b>                |
| 31b | C1782    | Dowel for locating clutch to flywheel                           | 2        |   |
| 32  | C2226S   | Needle roller spigot bush (bearing)                             | 1        | As option                                     |
| 33  | C4810    | Locking tab for flywheel  | 1        |   |
| 34  | C4855    | Flywheel set screw  | 10       |   |
| 35  | C2302    | Cork seal at rear of sump                                       | 1        |   |
| 36  | C8593    | Seal for front of sump  | 1        |   |
| 37  | C16319   | Sump gaskets  | Pair     | Sold as pair                                  |
| 37a | SGS4     | Sump gasket set (conversion set)                                | 1        | All gaskets for lower engine                  |
| 39  | C8612    | Oil pump  | 1        |   |
| 40  | C8646    | Oil pump/distributor drive shaft                                | 1        |   |
| 41  | C753     | Woodruff key in oil pump shaft                                  | 1        |   |
| 42  | C8647    | Bush on drive shaft   | 1        |   |
| 43  | C2152    | Oil pump & distributor drive gear                               | 1        |   |
| 44  | RVK1     | Oil pressure relief valve and spring set                        | 1        | Sold as set only                              |
| 45  | 1526     | Oil filter element  | 1        | <b>Paper</b>                                  |
| 46  | 6158     | Rubber washer for oil filter bolt                               | 1        |   |
| 47  | C12382   | Hose - oil filter to sump                                       | 1        |   |
| 48  | 2698     | Oil filter union adapter  | 1        |   |
| 49  | C3926    | Copper sealing washer for adapter                               | 1        |   |
| 50  | C13091   | Gasket oil filter housing to block                              | 1        |   |
| 51  | C2364    | Drain plug for sump   | 1        |   |
| 52  | C2296/1  | Copper washer for drain plug                                    | 1        |   |
| 53  | GMB10    | Rear crank seal conversion kit                                  | 1        | Complete with seals                           |
| 54  | C19654   | Seal for crank seal conversion - two halves                     | 1        |   |
| 55  | C2170    | Timing gear on crankshaft                                       | 1        |   |
| 56  | C757     | Woodruff key - front of crankshaft                              | 4        |   |
| 57  | C5896    | Bolt for crank damper   | 1        | Second hand only                              |
| 58  | C2468    | Washer behind C5896 bolt  | 1        | Second hand only                              |
| 59  | C2466    | Damper to crank cone  | 1        | Second hand & new available                   |
| 60  | C2173    | Spacer on crank   | 1        | Second hand only                              |
| 61  | C2151    | Lock tab for oil pump/Dist. drive shaft                         | 1        |   |
| 62  | 6159     | Oil filter canister spring                                      | 1        |   |
| 63  | C2157    | Plug for oil gallery in rear of block                           | 1        |   |
| 64  | C2296/2  | Copper sealing washer for C2157                                 | 1        |   |
| 65  | C2439    | Small end bearings for con-rods                                 | 6        |   |
| 66  | LTS1     | Engine lock-tab set   | 1        | Set   |
| 67  | C4283    | Plug in crankshaft  | 6        |   |
| 68  | C2352    | Oil gallery plugs   | 6        |   |
| 69  | C2296/3  | Copper washer for C2352 plugs                                   | 6        |   |
| 70  | C2354    | Block drain tap   | 1        |   |
| 71  | C2283    | Oil thrower for front of crankshaft                             | 1        |   |
| 72  | C2262    | Bolt for main bearing caps                                      | 14       |   |
| 73  | C9794    | Oil pump rotor set  | 1        | Inner/outer rotors & driveshaft               |



**FIG 2**

|     | PART #   | DESCRIPTION                                     | QTY REQ. | REMARKS   |
|-----|----------|---|----------|---|
| 1   |          | Cylinder heads - all types available            | 1        | Please enquire                                  |
| 2   |          | Inlet manifold                                  | 1        | Secondhand                                      |
| 2a  | C14133   | Water outlet pipe                               | 1        | Secondhand                                      |
| 3   | C7185    | Cam cover RHS                                   | 1        | Polished  |
| 4   | C7166    | Cam cover LHS (mechanical rev-counter)          | 1        | Polished  |
|     | C14987   | Cam cover LHS (electronic rev-counter)          | 1        | Polished  |
| 5   | C1022    | Filler cap                                      | 1        |   |
| 6   | C2327    | Acorn chrome nuts                               | 26       | Cam cover and breather                          |
| 7   | FW104E   | Copper washers                                  | 26       | Cam cover and breather                          |
| 8   | C7861    | 3.4 Head gasket only                            | 1        |   |
|     | C13795   | 3.8 Head gasket only                            | 1        |   |
|     | HGS34S   | 150'S' 3.4 Head gasket <b>set</b>               | 1        | For triple carb cars                            |
|     | HGS38S   | 150'S' 3.8 Head gasket <b>set</b>               | 1        | For triple carb cars                            |
| 8a  | C3731S   | Thermostat - with band to close off by-pass     | 1        | <b>Works as original</b>                        |
| 9   | C12422   | Water outlet thermostat housing                 | 1        |   |
| 10  | C2475    | Gasket for 'Otter' switch                       | 1        |   |
| 11  | C2474    | Thermostat choke switch ('Otter' switch)        | 1        |   |
| 12  | GMB150   | Inlet manifold stud set                         | 1        | Sold as set of 18 pieces                        |
| 13  | C2389    | Front breather                                  | 1        |   |
| 13a | C2390    | Baffle plate in breather housing                | 1        |   |
| 14  | C2485    | Breather pipe                                   | 1        |   |
| 15  | C2213    | Front exhaust manifold                          | 1        | Vitreous enamelled as original                  |
| 16  | C2214    | Rear exhaust manifold                           | 1        | Vitreous enamelled as original                  |
| 17  | C2369    | Stud in manifold flange                         | 8        |   |
| 17a | C2369S   | Stainless steel stud in manifold flange         | 8        |   |
| 18  | NN137Q   | Down pipe brass nut                             | 8        |   |
| 19  | C5849    | Oil pipe for cylinder head                      | 1        |   |
| 20  | C5846    | Oil pipe union banjo bolt                       | 3        |   |
| 20a | C4146    | Copper washer for banjo's                       | 6        |   |
| 21  | C14996   | Rev-counter generator                           | 1        | Late cars (electronic rev-counter)              |
| 22  | C2428    | Oil seal  | 1        |   |
| 23  | C10665   | Adaptor - angle driven rev-counter              | 1        | Early cars                                      |
| 23a | C16771   | Adapter - electronic rev-counter                | 1        | Late cars                                       |
| 24  | C2460    | Spark plugs                                     | 6        | Champion  |
| 25  | C5479    | 'Original' style plug end caps                  | 6        | (Not suppressed)                                |
| 26  | C2451    | Conduit for HT leads                            | 1        |   |
| 27  | C4982    | Clip for HT spacer                              | 1        | Chrome plated                                   |
| 28  | C4983    | Spacer for HT leads (thick)                     | 2        |   |
| 28a | C4984    | Spacer for HT leads (thin)                      | 3        |   |
| 29  | C2431    | HT leads (21ft per car)                         | 1        | Sold as car length (ends and caps not included) |
| 30  | C9099    | Jaguar 'C' type cam cover badge                 | 2        | Not OE on XK150                                 |
| 31  | C2328    | Cylinder head chrome nut                        | 14       |   |
| 32  | C2385    | 'D' washer for head nuts                        | 12       |   |
| 32a | FW207T   | Chrome round washer for head nuts               | 2        | Used at front of head                           |
| 33  | C2255    | Bottom timing chain                             | 1        |   |
| 34  | C2256    | Top timing chain                                | 1        |   |
| 35  | C2169    | Cam shaft sprocket                              | 2        |   |
| 36  | C2308    | Idler sprocket                                  | 1        |   |
| 37  | C13617   | Timing chain tensioner assembly - <b>R/H</b>    | 1        |   |
| 38  | C13616   | Timing chain tensioner assembly - <b>L/H</b>    | 1        |   |
| 39  | C13615   | Intermediate damper assembly                    | 1        | Late engines only                               |
| 40  | C10332   | Hydraulic chain tensioner                       | 1        |   |
| 41  | C13614   | Vibration damper                                | 1        |   |
| 42  | C7136/7  | Valve springs                                   | 1        | Car set, inners & outers                        |
| 43  | C12444   | Inlet valve                                     | 6        |   |
| 44  | C7708    | Exhaust valve                                   | 6        |   |
| 45  | NN131Q   | Exhaust manifold to head nut                    | 16       |   |
| 46  | C2325    | Exhaust manifold to head stud                   | 16       |   |
| 47  | C2318    | Exhaust manifold gasket                         | 2        |   |
| 48  | C495     | Exhaust downpipe gasket                         | 2        |   |
| 49  | C2227    | Breather baffle gaskets                         | 2        |   |
| 50  | C7619    | Inlet manifold gasket                           | 1        | Standard engine (not 'S')                       |
|     | C14127   | 150'S' Inlet manifold gaskets                   | 3        | 150'S'  |
| 51  | C2288    | Set of cam shaft bearings                       | 1        | Set   |
| 52  | C419     | Seal for oil filler cap                         | 1        |   |
| 53  | C2326    | Special stud for cam covers and bearing caps    | 16       | (Stepped stud)                                  |
| 54  | C17421   | Heater take-off adapter                         | 1        |   |
| 55  | C9621    | Temperature sensor capillary adapter            | 1        |   |
| 56  | C2178    | Guide pin for camshaft sprockets                | 2        |   |
| 57  | C2261    | Circlip for C2178 guide pins                    | 2        |   |
| 58  | C2193    | Circlip for camshaft sprockets                  | 2        |   |
| 59  | C2307/9  | Intermediate sprocket assembly                  | 1        | (2 sprocket assy. comprises C2307 & C2309)      |
| 60  | C2335    | Circlip for timing chain shaft                  | 1        |   |
| 61  | C4985    | Gasket for thermostat housing                   | 1        |   |
| 62  | C4128/1  | Timing gear front bracket                       | 1        |   |
| 63  | C12309   | Water rail gaskets                              | 4        |   |
| 64  | C9914    | Rev-counter drive                               | 1        | 150 early & 150'S' early (drives off inlet cam) |
| 65  | C2301    | Tappet  | 12       |   |
| 65a | C2243    | Tappet shims - <b>state sizes when ordering</b> | As req.  | 0.025" to 0.110"                                |
| 66  | C14992   | Allen head screw - holds C14996 to head         | 3        | Late engines (electronic rev-counter)           |
| 69  | C13660   | Distance piece for upper dampers                | 4        | From eng No. G4431                              |
| 70  | C13457   | Gauze filter for C10332 tensioner               | 1        | From eng No. G4431                              |
| 71  | C6735    | Cam cover gasket                                | 2        |   |
| 72  | C1040/21 | 'P' clip for engine breather pipe               | 2        |   |
| 73  | C16772   | Driving dog for rev-counter generator           | 1        | Late engines (electronic rev-counter)           |
| 74  | C14990   | 'O' Ring on C14996 generator                    | 1        | Late engines (electronic rev-counter)           |
| 75  | C12339   | Adaptor for rev-counter angle drive             | 1        | Early engines & cable driven rev-counter        |
| 76  | C10667   | Gasket for adaptor C12339                       | 1        | Early engines                                   |
| 77  | C2324    | Oil thrower for rear of cam(s)                  | —        | (2) on Early engines (1) on Late engines        |
| 78  | C14991   | Rev-counter adapter/cam cover seal              | 1        | Late engines                                    |
| 79  | C6727/1  | Stud for cam covers and breather housing        | 10       | (see also C2326)                                |
| 80  | C15918   | Plate washer for rev-counter generator          | 1        | Late engines (electronic rev-counter)           |
| 81  | C15919   | Lock-washer for rev-counter generator           | 3        | Late engines (electronic rev-counter)           |
| 82  | C15509   | Guide for inlet valves                          | 6        |   |
| 83  | C15506   | Guide for exhaust valves                        | 6        |   |
| 84  | C7262    | Guide for tappets                               | 12       |   |
| 85  | C15924   | Allen head screw - holds C12339 to head         | 2        |   |
| 86  | C11945   | Clip for temperature gauge capillary tube       | 4        | Bolt to cam covers                              |
| 87  | C2312    | Sealing ring at end of cam cover                | -        | 2-early cars - 1-Late cars                      |
| 88  | C2157    | Core plug (threaded) in cylinder head           | 3        | Also 1 in rear of block                         |
|     | C2296/2  | Copper sealing washer for C2157                 | 3        | Also 1 in rear of block                         |
| 89  | C317     | Core plug in cylinder head                      | 2        | Behind exhaust manifolds                        |
| 90  | C2329a   | Cam sprocket adjuster assembly                  | 2        | Includes C2191 clamp plate & C2178 guide pin    |



**FPK 150 or FPK150'S'**  
Chassis fuel line set

**OVERHAUL KIT**  
SU Toolkit

**FIG. 3**

|     | <b>PART #</b> | <b>DESCRIPTION</b>                                   | <b>QTY REQ.</b> | <b>REMARKS</b>                            |
|-----|---------------|--|-----------------|---|
| 1   | 4833          | Couplings between carburettor spindles               | 3               |   |
| 2   | C14366        | Return springs on carburettors                       | 2               | (3 on 'S' models)                         |
| 2a  | C14364        | Bracket for throttle return springs                  | 2               |   |
| 3   | C14210        | Suction pipe from carburettor to distributor         | 1               | All models                                |
| 4   | C12280        | Overflow pipe from float chamber                     | 2               | (3 on 'S' models)                         |
| 5   | C12812        | Petrol feed pipe to carburettors - <b>Early</b>      | 1               | Standard cars (1.3/4" carburettors)       |
| 6   | C3629         | Flexible petrol pipe                                 | 1               | All models                                |
| 7   | C13705        | Banjo bolt to fuel filter assembly                   | 2               | Later cars with filter                    |
| 7a  | C784          | Fibre washer on C13705 banjo bolt                    | 4               | All models with filter                    |
| 8   | C13681        | Filter assembly complete                             | 1               | Later cars with filter                    |
| 8a  | C28080        | Cartridge for fuel filter                            | 1               | As option (not O.E.)                      |
| 9   | C14492        | Flexible petrol pipe from filter to carburettor pipe | 1               | Later cars with filter                    |
| 10  | C15868        | Petrol feed pipe to carburettors - <b>Late</b>       | 1               | Standard cars (1.3/4" carburettors)       |
| 11  | C7461         | Insulator between carburettors and manifold          | 2               | Standard cars (1.3/4" carburettors)       |
| 11a | C8486         | Insulator between carburettors and manifold          | 3               | 'S' models only (2" carbs.)               |
| 12  | C11488        | Banjo bolts for carburettor feed pipes etc.          | 3               | (4 on 'S' models)                         |
| 13  | 6876          | Solenoid assembly for acceleration needle            | 1               | All models                                |
| 13a | 4795          | Plastic cap only for solenoid                        | 1               | All models                                |
| 14  | 1123          | Float for fuel level                                 | 2               | (3 on 'S' models)                         |
| 15  | CSK37         | Carburettor overhaul kit                             | 2               | Standard cars (1.3/4" carbs.)             |
| 15a | CRK217        | Carburettor rebuild kit                              | 2               | Same as CSK37 plus spindles & butterflies |
| 16  | CSK38         | 150 'S' carburettor overhaul kit                     | 3               | 'S' models (2" carbs)                     |
| 16a | CRK216        | 150 'S' carburettor rebuild kit                      | 3               | Same as CSK38 plus spindles & butterflies |
| 17  | WZX1321       | Throttle disc & gasket set                           | 2               | Standard cars (1.3/4" carbs.)             |
| 18  | TL            | 150 Carburettor jet needle                           | 2               | Standard cars (1.3/4" carbs.)             |
|     | UE            | 150 'S' Carburettor jet needle                       | 3               | 'S' models only (2" carbs.)               |
| 19  | 6956          | Spring for acceleration needle                       | 1               | All models                                |
| 20  | C15940        | Rigid pipe to fuel filter                            | 1               | All models with filter                    |
| 21  | 7094          | Return spring for dashpot piston                     | 2               | Standard cars (1.3/4" carbs.)             |
| 22  | 5832          | Cap nut for float chamber lid                        | 2               | (3 on 'S' models)                         |
| 23  | 1928          | Serrated washer on 5832 cap nut                      | 2               | (3 on 'S' models)                         |
| 24  | 7120          | Aluminium washer on 5832 cap nuts etc.               | 3               | (4 on 'S' models)                         |
| 25  | 479           | Filter/spring assembly in float chamber              | 2               | (3 on 'S' models)                         |
| 26  | C11489        | Fibre washers on C11488 banjo bolts                  | 5               | (7 on 'S' models)                         |
| 27  | 6970          | Needle and seat kit for float chamber                | 2               | (3 on 'S' models)                         |
| 27a | 386390        | High performance needle/seat kit                     | 2               | (3 on 'S' models)                         |
| 28  | C2368         | Carburettor to manifold gaskets                      | 4               | Standard cars (1.3/4" carbs.)             |
| 28a | C7221         | 150 'S' models carburettor to manifold gaskets       | 6               | 'S' models only (2" carbs.)               |
| 29  | FPK150        | Fuel line set (3 piece) from tank to flexible pipe   | 1               | Standard cars                             |
| 30  | FPK150S       | Fuel line set (4 piece) from tank to flexible pipe   | 1               | 'S' models                                |
| 31  | C15283        | Petrol feed pipe to carburettors                     | 1               | 'S' models (only)                         |
| 32  | C14614        | Shaft from bulkhead to rear carburettor              | 1               | Standard cars                             |
| 33  | 7107          | Shaft between carburettors                           | 1               | Standard cars                             |
| 34  | AUE670        | Tool kit for carburettor adjustment                  | 1               |   |
| 35  | C4475         | Gaskets from carburettor to air intake               | 2               | Standard cars                             |
| 35a | C7164         | Gaskets - carburettor to air cleaner                 | 3               | 'S' models                                |
| 36  | 175           | Screw holding dashpot to carburettor                 | 6               | (12 on 'S' models)                        |
| 37  | WZX989        | Throttle spindle on carburettors                     | 2               | (3 on 'S' models)                         |
| 38  | C13746        | Accelerator pedal assembly                           | 1               | Most models                               |
| 39  | C11671        | Rubber pad for accelerator pedal                     | 1               | Most models                               |
| 40  | C12486        | Roller for accelerator pedal                         | 1               | Most models                               |

FOR THREE-PIECE CLUTCH  
SET USE C15821N

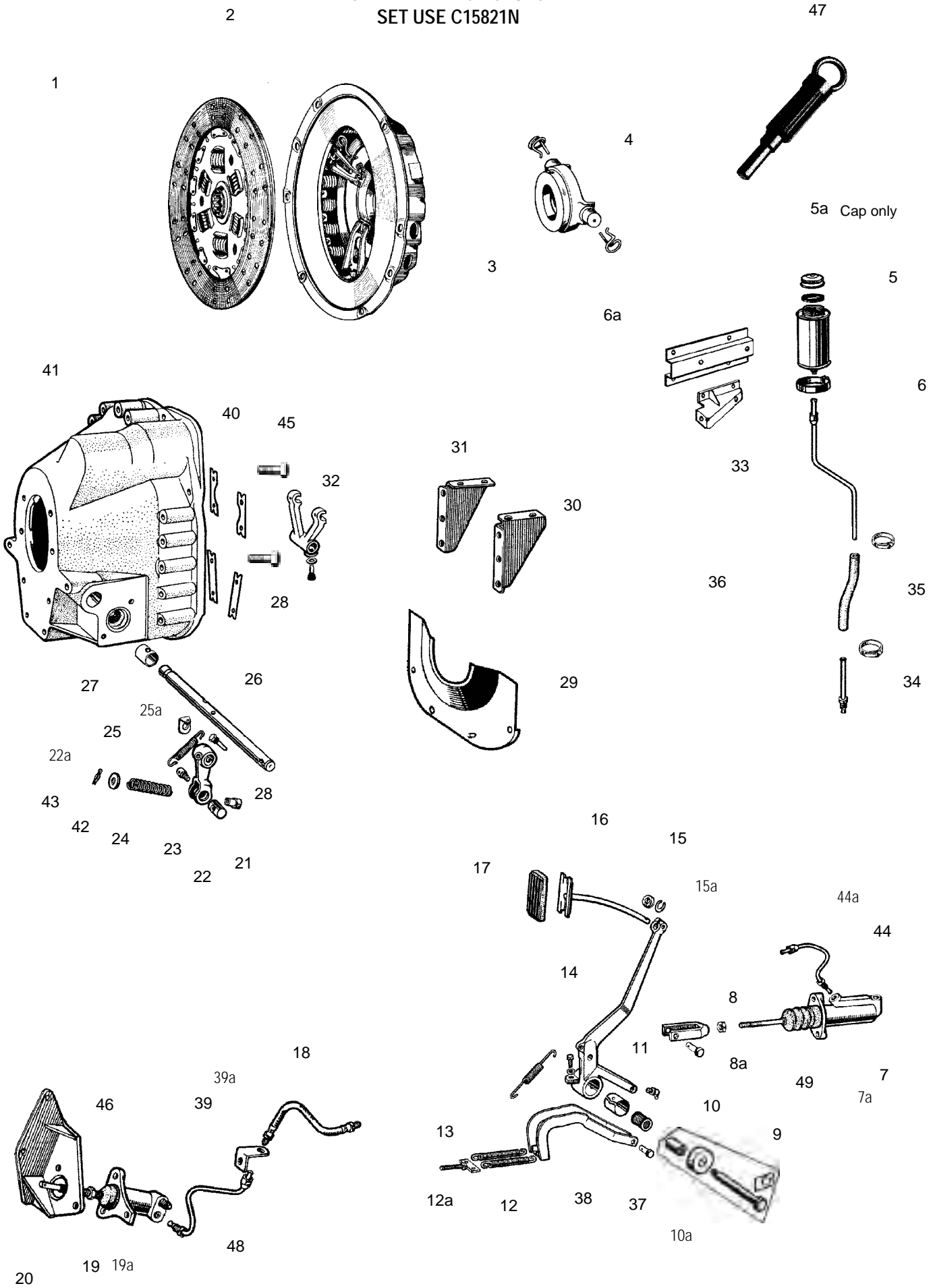


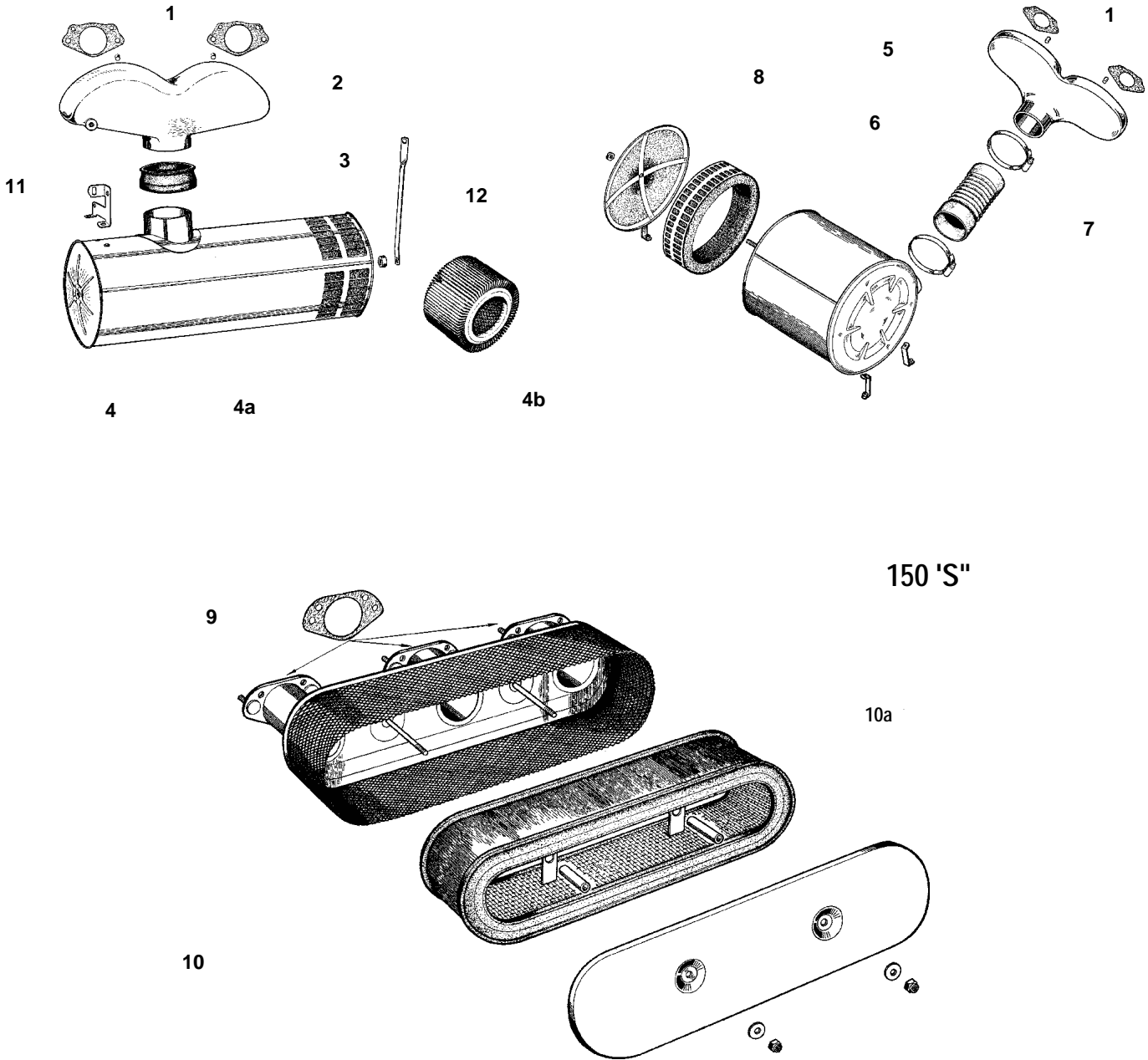
FIG. 4



|     | PART #    | DESCRIPTION   | QTY REQ. | REMARKS                                 |
|-----|-----------|---|----------|---|
| 1   | HB1378E   | Clutch driven plate ( <b>Exchange</b> )                   | 1        | } See C15821N for new 3 piece set       |
| 2   | HA2521E   | Clutch cover ( <b>Exchange</b> )                          | 1        |   |
| 3   | HD3306    | Release bearing   | 1        |   |
|     | C15821N   | <b>Three part clutch kit</b> (outright sale)              | 1        | Comprises cover, plate, thrust bearing. |
| 4   | 4163      | Retainers for release bearing                             | 2        |   |
| 5   | C13165    | Clutch fluid supply tank                                  | 1        |   |
| 5a  | RC1       | Reservoir <b>cap only</b>                                 | 1        |   |
| 6   | 1040      | Clip to mount supply tank - <b>see also C13664</b>        | 1        | (also (1) On brake reservoir)           |
| 6a  | C13664    | Mounting bracket for reservoirs to body                   | 1        | Holds C5173 reservoir clips             |
| 7   | C12943    | Clutch master cylinder - <b>correct bore</b>              | 1        | <b>Prevents clutch drag!</b>            |
| 7a  | SP1967    | Repair kit for master cylinder                            | 1        | For 3/4" master cylinder                |
| 7b  | SP2177    | Repair kit for master cylinder                            | 1        | For 5/8" master cylinder                |
| 8   | C12968    | Fork end on master cylinder pushrod                       | 1        |   |
| 8a  | J106/17S  | Clevis pin for fork end to pedal                          | 1        |   |
| 9   | PMK150    | Pedal mounting kit  | 1        | Kit as illustrated                      |
| 10  | C3223     | Bearing in clutch pedal boss                              | 1        |   |
| 10a | C3224     | Inner sleeve for pedal bearing                            | 1        |   |
| 11  | C13877    | Grease nipple in pedal boss                               | 1        |   |
| 12  | C14196    | Spring to tension bell crank lever                        | 2        | <b>Later cars</b>                       |
| 12a | C14180    | Anchor bolt for C14196 springs                            | 1        | <b>Later cars</b>                       |
| 13  | C3317     | Clutch pedal return spring                                | 1        |   |
| 14  | C13966    | Clutch pedal <b>R/hand drive</b>                          | 1        | <b>Early cars</b>                       |
|     | C13967    | Clutch pedal <b>L/hand drive</b>                          | 1        | <b>Early cars</b>                       |
|     | C14173    | Clutch pedal <b>R/hand drive</b>                          | 1        | <b>Late cars</b>                        |
|     | C14172    | Clutch pedal <b>L/hand drive</b>                          | 1        | <b>Late cars</b>                        |
| 15  | C8299     | Felt seal on clutch pedal stem                            | 1        |   |
| 15a | C8301     | Circlip for pedal stem                                    | 1        |   |
| 16  | C8865     | Clutch pedal stem/plate                                   | 1        |   |
| 17  | C9934     | Clutch pedal rubber pad                                   | 1        |   |
| 18  | C13968    | High pressure hose - <b>armoured</b>                      | 1        | <b>RHD &amp; LHD cars</b>               |
| 19  | C5165     | Clutch slave cylinder                                     | 1        |   |
| 19a | 1304      | Repair kit for slave cylinder                             | 1        |   |
| 20  | C15709    | Slave cylinder mounting bracket - <b>uprated</b>          | 1        | <b>Heavy duty</b>                       |
| 21  | C3266     | Barrel nut on slave cylinder pushrod                      | 1        |   |
| 22  | C5180     | Trunnion on push rod                                      | 1        |   |
| 22a | C5179     | Screw holding spring to trunnion                          | 1        |   |
| 23  | C12942    | Lever on clutch shaft                                     | 1        |   |
| 24  | C4165     | Spring - tensioning adjuster nut on pushrod               | 1        |   |
| 25  | C5120     | Return spring on clutch linkage                           | 1        |   |
| 25a | C13234    | Anchor plate for return spring                            | 1        |   |
| 26  | C12897    | Clutch housing cross-shaft                                | 1        |   |
| 27  | C584      | Bushes in clutch housing cross-shaft                      | 2        |   |
| 28  | C13055    | Taper pin - locking clutch fork and clutch lever          | 2        |   |
| 29  | C5072     | Clutch housing cover plate                                | 1        |   |
| 30  | C4796     | Support bracket <b>R/hand</b>                             | 1        |   |
| 31  | C4795     | Support bracket <b>L/hand</b>                             | 1        |   |
| 32  | C9780     | Clutch operating fork                                     | 1        |   |
| 33  | C13668    | Pipe from supply tank to hose - <b>All except RHD 'S'</b> | 1        | (For RHD 'S' Model please enquire)      |
| 34  | C16943    | Pipe from hose to master cylinder                         | 1        |   |
| 35  | C6854     | Hose connecting C13668 & C16943                           | 1        |   |
| 36  | C3738     | Clips for C6854 hose                                      | 2        |   |
| 37  | J106/13S  | Clevis pin for bell-crank to pedal                        | 1        |   |
| 38  | C14177    | Bell-crank lever  | 1        | <b>Later cars</b>                       |
| 39  | C13684    | Bracket holding clutch hose - <b>RHD cars</b>             | 1        |   |
| 39a | C13223    | Bracket holding clutch hose - <b>LHD cars</b>             | 1        |   |
| 40  | C5078/587 | Lock-tab set - bell housing to gearbox                    | 1        | 4-piece set                             |
| 41  | C5068     | Bell housing (Clutch housing)                             | 1        | Secondhand                              |
| 42  | FW104T    | Washer on push-rod  | 1        |   |
| 43  | L103/7U   | Split-pin in push-rod                                     | 1        |   |
| 44  | C13671    | Pipe from master cylinder to hose                         | 1        | <b>RHD cars</b>                         |
|     | C13241    | Pipe from master cylinder to hose                         | 1        | <b>LHD cars</b>                         |
| 45  | FS107/13D | Bolt holding bell housing to gearbox                      | 8        |   |
| 46  | 5856      | Push-rod for slave cylinder                               | 1        |   |
| 47  | CT1       | Clutch alignment tool - all XK                            | 1        | Plastic                                 |
| 48  | C13683    | Pipe from hose to slave cylinder                          | 1        | <b>All models</b>                       |
| 49  | 6946      | Push-rod only for master cylinder                         | 1        |   |

Left Hand Drive  
Twin Carb. cars

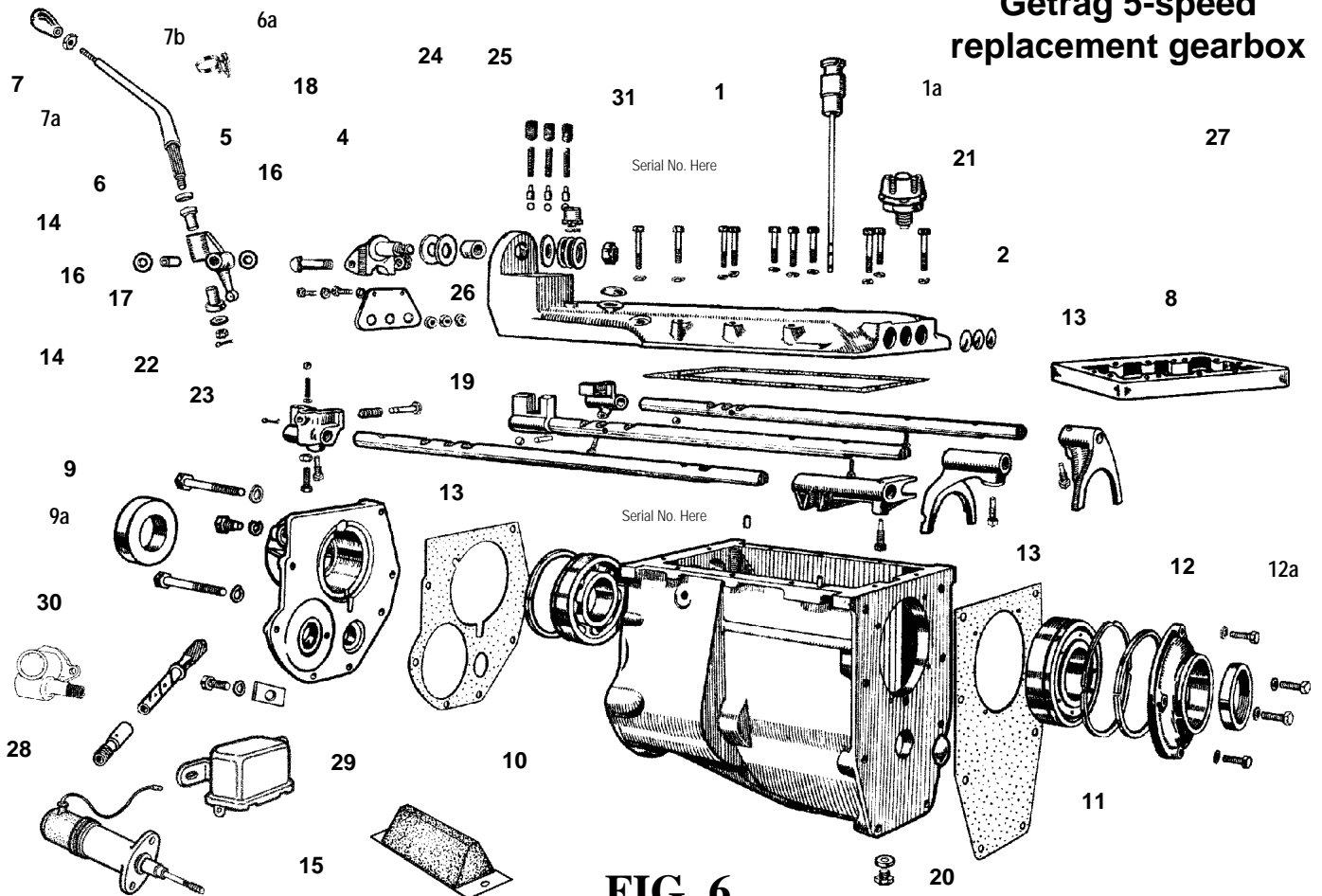
Right Hand Drive  
Twin Carb. cars



**FIG. 5**

| PART # | DESCRIPTION   | QTY REQ. | REMARKS                       |
|--------|---|----------|-------------------------------|
| 1      | C4475 Gasket from carburettors to air intake                    | 2        | Standard cars (1.3/4" carbs.) |
| 2      | C8139 Air intake - <b>left hand drive cars</b>                  | 1        | Standard cars - <b>LHD</b>    |
| 3      | C1788 Rubber connector  | 1        | Standard cars - <b>LHD</b>    |
| 4      | C13069 Air cleaner - <b>left hand drive cars</b>                | 1        | Standard cars - <b>LHD</b>    |
| 4a     | C13069RE <b>Repro</b> air cleaner - <b>left hand drive cars</b> | 1        | Standard cars - <b>LHD</b>    |
| 4b     | GFE1003 Air cleaner element <b>for C13069RE</b>                 | 1        | <b>For repro only</b>         |
| 5      | C13768 Air intake - <b>right hand drive cars</b>                | 1        | Standard cars - <b>RHD</b>    |
| 6      | C826 Clip for intake hose                                       | 2        | Standard cars - <b>RHD</b>    |
| 7      | C12401 Connecting hose  | 1        | Standard cars - <b>RHD</b>    |
| 8      | C13769 Air cleaner assembly                                     | 1        | Standard cars - <b>RHD</b>    |
| 9      | C7164 Gasket from carbs to air cleaner                          | 3        | 'S' models (2" carbs.)        |
| 10     | C15277 Air cleaner assembly - includes element                  | 1        | 'S' models                    |
| 10a    | C15258 Element <b>only</b> for 150'S' air cleaner               | 1        | 'S' models                    |
| 11     | C13072 Bracket on rear of air cleaner                           | 1        | Standard cars - <b>LHD</b>    |
| 12     | C13073 Strap on front of air cleaner                            | 1        | Standard cars - <b>LHD</b>    |

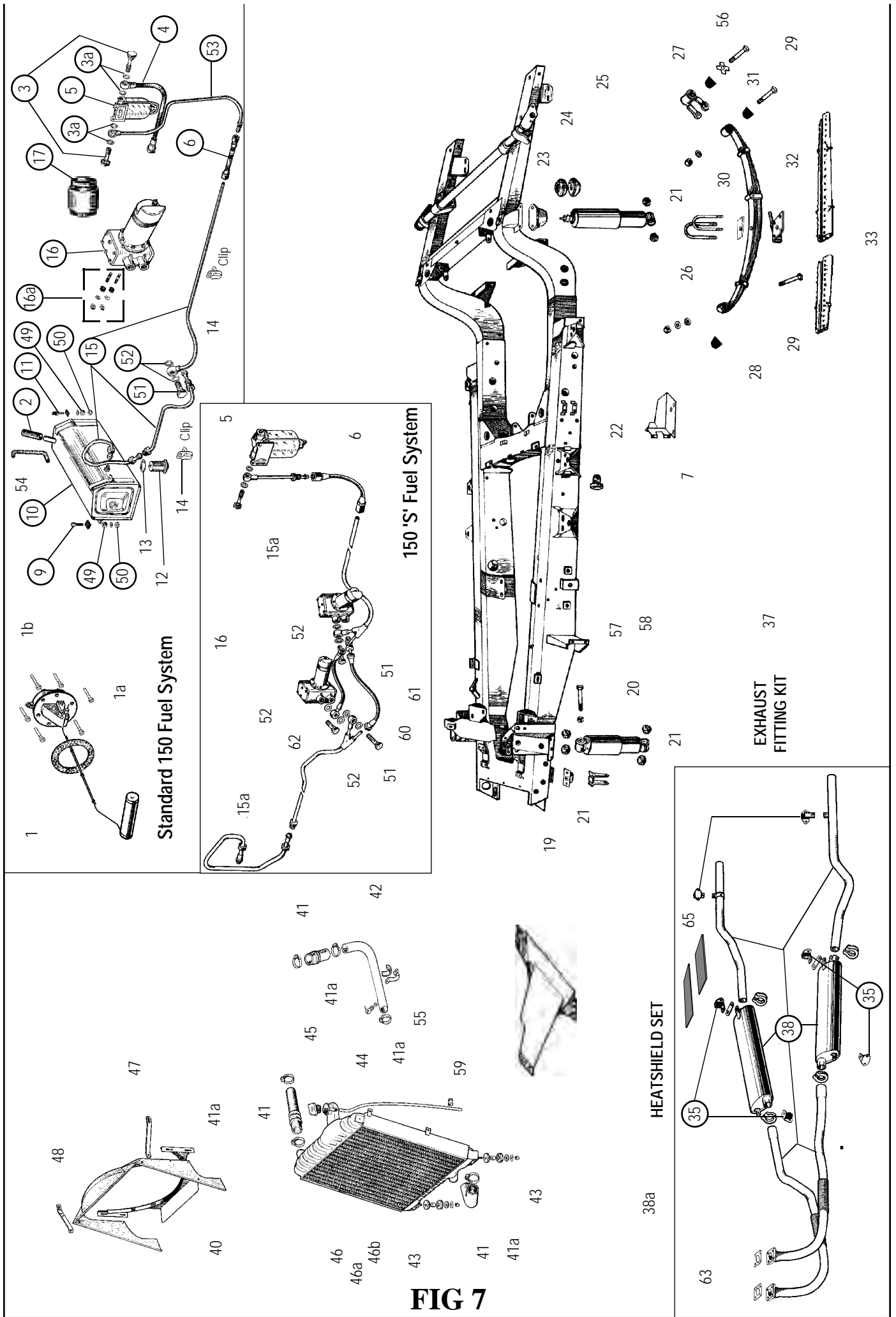
# Getrag 5-speed replacement gearbox



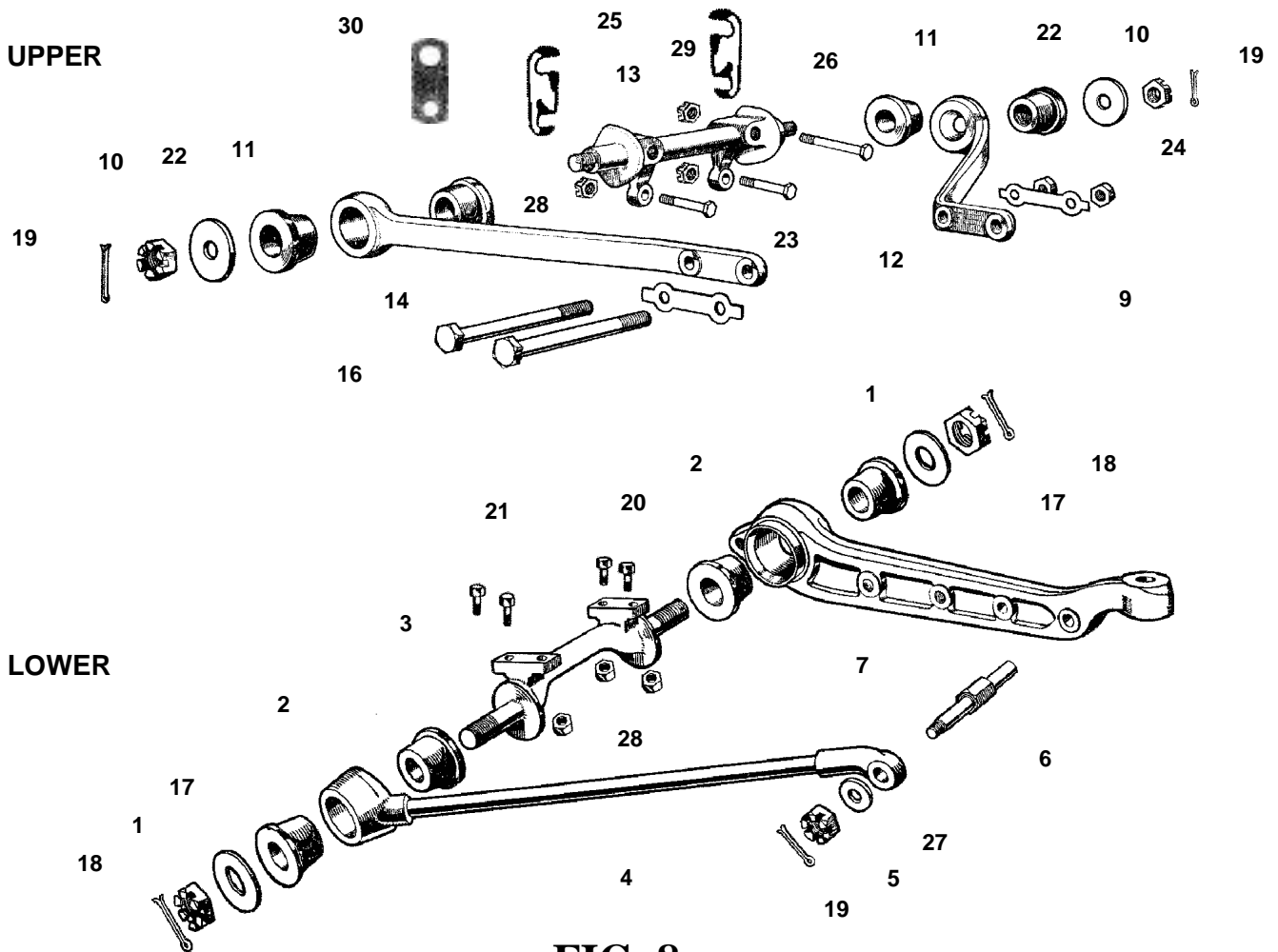
**FIG. 6**

150 - Issue 06 Rev. 12/05

| PART #                | DESCRIPTION   | QTY REQ. | REMARKS  |
|-----------------------|---|----------|--|
| 1                     | C2675 Gearbox dipstick - <b>non-overdrive cars</b>                    | 1        |  |
| 1a                    | C6853 Gearbox dipstick - <b>overdrive cars</b>                        | 1        |  |
| 2                     | C6878 Gearbox top cover   | 1        | Secondhand only  |
| 4                     | C1913 Pivot jaw for selector lever                                    | 1        | Secondhand only  |
| 5                     | C14217 Selector lever   | 1        | Secondhand only  |
| 6                     | C2462 Gear lever  | 1        |  |
| 6a                    | BD7738/1 Clip to hold leather gauntlet to lever                       | 1        |  |
| 7                     | C2291 Gear lever knob - <b>early cars</b>                             | 1        | <b>One piece - moulded</b>   |
| 7a                    | C16154 Gear lever knob - <b>later cars</b>                            | 1        | <b>With clear plastic top</b>                                      |
| 7b                    | C1928 Locking nut for gear lever knob                                 | 1        | Chromed  |
| 8                     | C6851 Top cover spacer (for overdrive boxes only)                     | 1        |  |
| 9                     | C859 Rear oil seal - <b>non-overdrive boxes</b>                       | 1        |  |
| 9a                    | 7980 Rear oil seal - <b>overdrive boxes</b>                           | 1        |  |
| 10                    | C1845 Rear gear box bearing (for main shaft)                          | 1        |  |
| 11                    | C1838 Front gear box bearing (for constant pinion shaft)              | 1        |  |
| 12                    | C6738 Front oil seal - <b>fits front end cover C1833</b>              | 1        | <b>60mm outside diameter</b>                                       |
| 12a                   | C11934 Front oil seal - <b>fits front end cover C11931</b>            | 1        | <b>47mm outside diameter</b>                                       |
| 13                    | GMB2 Gasket set for gearbox   | 1        |  |
|                       | GMB3 Gasket set for overdrive unit                                    | 1        | Overdrive cars only  |
| 14                    | C1915 Gear lever bushes   | 2        |  |
| 15                    | C8398 Overdrive bump stop   | 1        | Overdrive cars   |
| 16                    | C1908 Thrust washer for selector lever                                | 2        |  |
| 17                    | C1906 Bush in selector lever  | 1        |  |
| 18                    | C1912 Pin to hold C1918 into C1913                                    | 1        |  |
| 19                    | C929 Felt washers for striking rods                                   | 3        |  |
| 20                    | C980 Fibre washer in gearbox case                                     | 1        |  |
| -                     | C1862 Thrust washer for countershaft - <b>state oversize required</b> | -        | Use as required  |
| -                     | C918 Needle rollers for countershaft                                  | 58       |  |
| -                     | C1850 Needle rollers in 2nd & 3rd gear on mainshaft                   | 82       |  |
| -                     | C1843 Bearing inside constant pinion shaft                            | 1        |  |
| 21                    | C1083 Reverse & Overdrive switch                                      | -        | 1 for rev. light-1 for O/drive                                     |
| 22                    | FN405L Slotted nut securing gear lever                                | 1        |  |
| 23                    | L103/8U Splitpin for gear lever                                       | 1        |  |
| 24                    | C1894 Fibre washer on pivot jaw                                       | 2        |  |
| 25                    | C1907 Bush for pivot jaw  | 1        |  |
| 26                    | C1929 Double spring washer on pivot jaw                               | 1        |  |
| 27                    | <b>Getrag2</b> 5-speed replacement gearbox                            | 1        | Direct replacement - all parts supplied except propshaft - see GP2 |
| 28                    | C7471 Solenoid for overdrive  | 1        | Overdrive cars only  |
| 29                    | C16164 Relay for overdrive  | 1        | Overdrive cars only  |
| 30                    | C8600 Speedometer angle drive for overdrive gearbox                   | 1        | Overdrive cars only  |
| 31                    | C1905 Spring washer for pivot jaw                                     | 1        |  |
| <b>Automatic cars</b> |   |          |  |
| -                     | C13580 Auto selector indicator panel                                  | 1        | Automatic cars only  |
| -                     | BD10821 Rubber plug for transmission cover                            | 3        | Automatic cars only  |

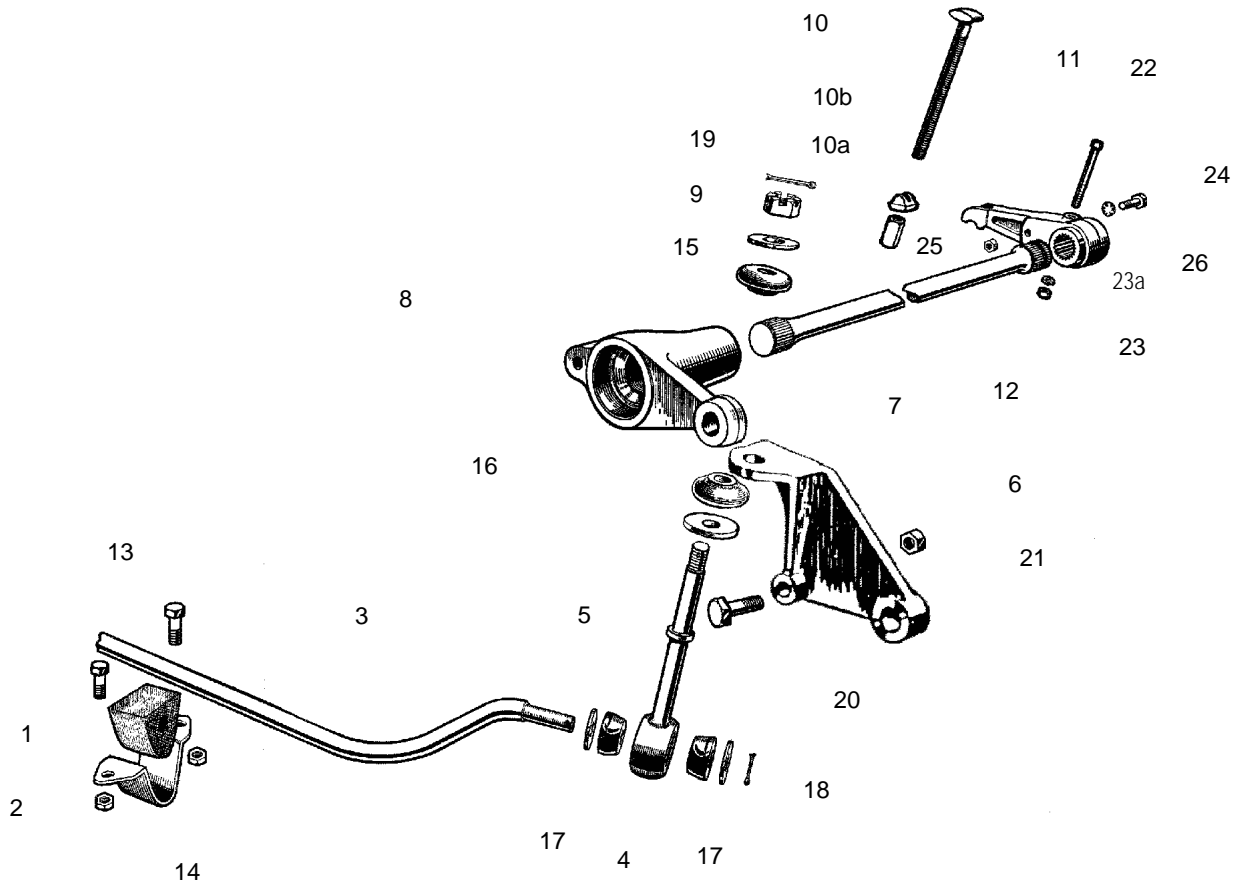


|     | <b>PART #</b> | <b>DESCRIPTION</b>                          | <b>QTY REQ.</b> | <b>REMARKS</b>  |
|-----|---------------|---|-----------------|---|
| 1   | C8407         | Fuel tank sender unit                       |                 | <b>*Withdrawn from sale until further notice*</b>         |
| 1a  | C937          | Fuel tank sender unit gasket                | 1               | Available separately                                      |
| 1b  | AS303/4H      | Screws holding tank sender unit             | 6               | <b>For original tanks</b>                                 |
|     | SC104121      | Screws holding tank sender unit             | 6               | <b>For repro tanks</b>                                    |
| 2   | BD4368        | Petrol filler hose                          | 1               |   |
| 3   | C13705        | Banjo bolt                                  | 2               |   |
| 3a  | C784          | Fibre washers for banjo bolts               | 4               |   |
| 4   | C14492        | Petrol filter flexible hose with banjo      | 1               | Cars with fuel filter                                     |
| 5   | C13681        | Petrol filter assembly                      | 1               |   |
| 6   | C3629         | Flexible fuel hose                          | 1               |   |
| 7   | C14204        | Shield over petrol pump                     | 1               |   |
| 9   | C8369         | Bolt securing fuel tank                     | 2               |   |
| 10  | C14403        | Petrol tank                                 | 1               | Late cars   |
| 11  | C8368         | Stud securing fuel tank                     | 2               |   |
| 12  | C990/1        | Petrol tank filter/plug                     | 1               |   |
| 13  | C1617         | Seal for petrol filter/plug                 | 1               |   |
| 14  | C3727         | Clips securing fuel pipes to chassis        | 8               |   |
| 15  | FPK 150       | Fuel line set - <b>for standard cars</b>    | Set             | Three piece set   |
| 15a | FPK150S       | Fuel line set - <b>for 'S' Models</b>       | Set             | Four piece set  |
| 16  | C9688         | Fuel pump - <b>outright</b>                 | 1               | (or 2 on 'S' Models)                                      |
| 16a | FPMK          | Fuel pump mounting kit                      | 1               | (or 2 on 'S' Models)                                      |
| 17  | C2839         | Cover over fuel pump                        | 1               |   |
| 19  | C3036         | Front bump stop                             | 2               |   |
| 20  | C8007         | Front shock absorber                        | 2               |   |
| 21  | C3273         | Shock absorber 'eye' bush                   | 8               |   |
| 22  | 1048/A        | Jack socket plug                            | 4               |   |
| 23  | C3208         | Rear bump stop                              | 2               |   |
| 24  | C3053         | Rubber buffer top of shocks                 | 4               |   |
| 25  | C8008         | Rear shock absorber                         | 2               |   |
| 26  | C7752         | 'U' bolt                                    | 4               |   |
| 27  | C640          | Rear shackle                                | 2               |   |
| 28  | C14476        | Rear spring                                 | 2               | With fitted eye bush                                      |
| 29  | NB143/28F     | Bolt  | 6               |   |
| 30  | C3186         | Taper wedge                                 | 2               |   |
| 31  | C11821        | Metalastik spring 'eye' bush                | 6               |   |
| 32  | C7753         | Plate under spring <b>R/hand</b>            | 1               |   |
|     | C7754         | Plate under spring <b>L/hand</b>            | 1               |   |
| 33  | C3877/8       | Spring gaiter set                           | Set             | Four piece set  |
| 35  | 1363          | Silencer rubber mounting - angled           | 4               | } or see #37  |
| 36  | C8397         | Tail pipe rubber mountings - straight       | 2               |   |
| 37  | EFK3          | Exhaust fitting kit                         | 1               | Gaskets, Clamps, rubber mounts & Brass nuts for downpipes |
| 38  | EX150T        | Exhaust system - stainless steel            | Set             | Sold as set only  |
| 38a | HSS150        | Set of heatshields for exhaust              | 1               | 5-piece set   |
| 39  | C13105        | Top cowl around radiator                    | 1               | Fibreglass  |
| 40  | C13106        | Bottom cowl around radiator                 | 1               | Aluminium   |
| 41  | HK150         | Water hose set                              | 1               | All hoses incl. heater                                    |
| 41a | HCK150        | Set of stainless steel water hose clips     | 1               | Car set   |
| 42  | C12923        | Bottom water pipe (metal)                   | 1               |   |
| 43  | C8975         | Rubber radiator mounting pads               | 4               |   |
| 44  | C980          | Drain tap                                   | 1               |   |
| 45  | C10289        | Radiator cap                                | 1               |   |
| 46  | C12922E       | Radiator - <b>exchange</b> (original type)  | 1               |   |
| 46a | C12922HPE     | High performance radiator - <b>exchange</b> | 1               | To order  |
| 46b | C12922AL      | Aluminium radiator - <b>outright</b>        | 1               | As option   |
| 47  | C13099        | Radiator tie bar to wing - <b>L/hand</b>    | 1               |   |
| 48  | C12925        | Radiator tie bar to wing - <b>R/hand</b>    | 1               |   |
| 49  | NN131L        | Nut on fuel tank studs                      | 4               |   |
| 50  | NN231L        | Lock-nut on fuel tank studs                 | 4               |   |
| 51  | C1506         | Banjo bolt for fuel pump                    | 1               | (or 2 on 'S' models)                                      |
| 52  | C11489        | Fibre washers for banjo bolt                | 2               | (or 6 on 'S' models)                                      |
| 53  | C15940        | Intermediate pipe to filter                 | 1               | Cars with filter fitted                                   |
| 54  | BT            | Breather tube for petrol tank               | 1               |   |
| 55  | C8026         | Clip for lower radiator pipe                | 1               |   |
| 56  | C3651         | Tab washer on rear shackle bolts            | 2               |   |
| 57  | C4891         | Bolt for top of front shock absorbers       | 2               | Drilled bolt  |
| 58  | NN743L        | Slotted nut for C4891 bolts                 | 2               |   |
| 59  | BT            | Overflow tube for radiator                  | 1               |   |
| 60  | C14734        | Flex pipe from rear to fuel pump            | 1               | <b>'S' models only</b>                                    |
| 61  | C14271        | Flex pipe from fuel pump to front           | 1               | <b>'S' models only</b>                                    |
| 62  | C11488        | Banjo bolt to fuel pump                     | 1               |   |
| 63  | C495          | Exhaust gaskets to manifolds                | 2               |   |
| 64  | C13078        | Sump guard                                  | 1               | As option   |
| 65  | BD9409/10     | Pair silencer heatshields                   | Pair            | Also come in (HSS150 kit)                                 |
| 66  | RSK1          | Rear spring stiffener kit                   | Kit             |   |



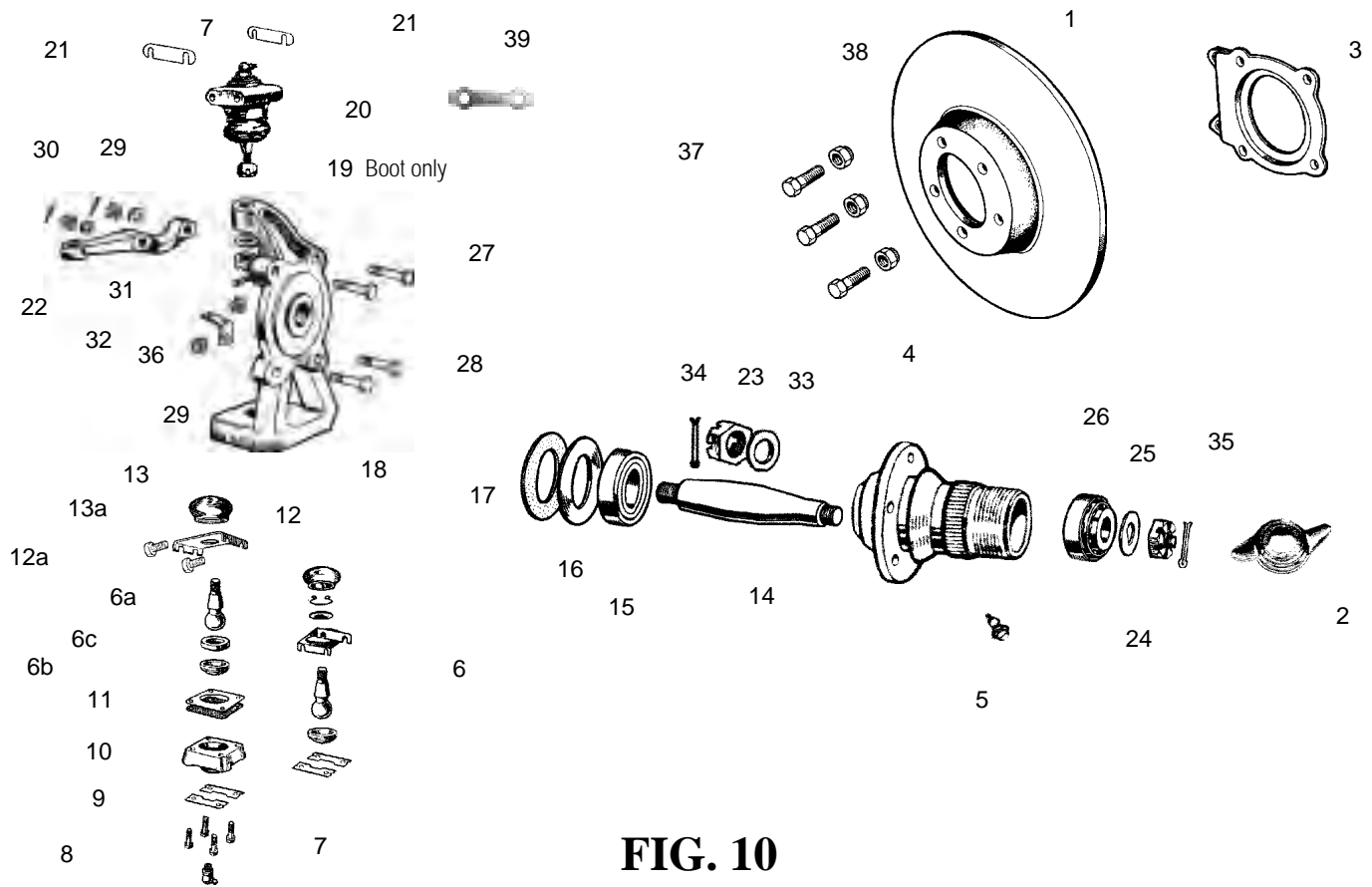
**FIG. 8**

| PART # | DESCRIPTION                                     | QTY REQ. | REMARKS                          |
|--------|---|----------|----------------------------------|
| 1      | C3010/2 Slotted nut for lower wishbones         | 4        |                                  |
| 2      | C3021 Bush for lower wishbones                  | 8        |                                  |
| 3      | C3019 Shaft supporting lower wishbones          | 2        | Second hand only                 |
| 4      | C3013 Wishbone lever - lower front              | 2        | Second hand only                 |
| 5      | NN756L Nut for lower wishbone levers            | 2        |                                  |
| 6      | C3018 Pin for lower wishbone & shock absorber   | 2        |                                  |
| 7      | C4805 Wishbone lever - lower rear LH            | 1        | Second hand only                 |
|        | C4804 Wishbone lever - lower rear RH            | 1        | Second hand only                 |
| 9      | C3007 Locking plate for upper balljoints        | 4        |                                  |
| 10     | C3010/1 Nut for upper wishbones                 | 4        |                                  |
| 11     | C3003 Metalastic bush                           | 8        |                                  |
| 12     | C4733 Wishbone lever - upper rear               | 2        | Second hand only                 |
| 13     | C8123 Shaft supporting upper wishbone levers    | 2        | Second hand only                 |
| 14     | C4739 Wishbone lever - upper front              | 2        | Second hand only                 |
| 16     | NB137/27D Bolt for upper ball joint             | 4        |                                  |
| 17     | C3114 Washer for lower wishbone                 | 4        |                                  |
| 18     | L105/12U Split-pin for lower wishbone           | 4        |                                  |
| 19     | L104/10U Split-pin for wishbones                | 6        |                                  |
| 20     | NB137/10D Bolt - lower wishbone to chassis      | 4        |                                  |
| 21     | C3653 Bolt - lower wishbone to chassis          | 4        | Special shouldered bolt          |
| 22     | C3193 Washer for top wishbone                   | 4        |                                  |
| 23     | NB137/14D Upper wishbone shaft bolt             | 4        | For lower bolt holes             |
| 24     | NN137L Nut for ball joint bolts                 | 4        |                                  |
| 25     | C3166/1 Camber adjusting shim                   | As req.  | 0.054 thick                      |
|        | C3166/2 Camber adjusting shim                   | As req.  | 0.048 thick                      |
|        | C3166/3 Camber adjusting shim                   | As req.  | 0.036 thick                      |
| 26     | C8060 Upper wishbone shaft bolt                 | 4        | For upper bolt holes             |
| 27     | C794 Washer for lower wishbones                 | 2        |                                  |
| 28     | C8150/7 Self-locking nut                        | 12       | For upper & lower w/bone support |
| 29     | C8150/9 Self-locking nut                        | 4        | For upper w/bone support         |
| 30     | C9575 Packing piece for top wishbone to chassis | 4        | For wheel camber                 |



**FIG. 9**

|     | <b>PART #</b> | <b>DESCRIPTION</b>                          | <b>QTY REQ.</b> | <b>REMARKS</b>        |
|-----|---------------|---|-----------------|-----------------------|
| 1   | C4349         | A.R.B. to chassis Rubber                    | 2               |                       |
| 2   | C3054         | A.R.B. Clamp                                | 2               | Clamps C4349          |
| 3   | C7220         | Anti-roll Bar                               | 1               | <b>New originals</b>  |
|     | C7220/1       | Uprated 7/8" bar inc. 2 'D' bushes          | 1               | Heavy duty            |
| 4   | C3050         | Bush on A.R.B. link - lower                 | 4               |                       |
| 5   | C3049         | A.R.B. Link                                 | 2               | Refurbished originals |
| 6   | C3058         | Anchor Bracket - L/Hand                     | 1               | Second hand only      |
|     | C3057         | Anchor Bracket - R/Hand                     | 1               | Second hand only      |
| 7   | C3047         | Torsion Bar Front Flange                    | 2               | Second hand only      |
| 8   | C3053         | Bush on A.R.B. link - upper                 | 4               |                       |
| 9   | NN743L        | Castle Nut on A.R.B. link                   | 2               |                       |
| 10  | C3096         | Adjusting Bolt for torsion bar              | 2               | Bolt Only             |
| 10a | C3097         | Adjusting Nut for C3096                     | 2               | Nut Only              |
| 10b | C3098         | Trunnion for C3096                          | 2               | Trunnion Only         |
| 11  | C3462         | Torsion bar lever - L/Hand                  | 1               | Second hand only      |
|     | C3461         | Torsion bar lever - R/Hand                  | 1               | Second hand only      |
| 12  | C5720         | Torsion bar - L/Hand                        | 1               | Second hand only      |
|     | C5719         | Torsion bar - R/Hand                        | 1               | Second hand only      |
|     | C5719/20      | Stainless steel torsion bars                | Pair            | New - high quality    |
| 13  | NS137/6D      | Bolt for C3054 A.R.B. clamp                 | 4               |                       |
| 14  | NN137L        | Nut for NS137/6D bolt                       | 4               |                       |
| 15  | C3052         | A.R.B. link top washer                      | 2               |                       |
| 16  | C793          | A.R.B. link washer                          | 2               |                       |
| 17  | C3337         | A.R.B. link lower washer                    | 4               |                       |
| 18  | L105/10U      | Split-pin - end of A.R.B.                   | 2               |                       |
| 19  | L103/8U       | Split pin on top of A.R.B. link             | 2               |                       |
| 20  | NB137/16D     | Bolt for anchor bracket                     | 2               |                       |
| 21  | NN137L        | Nut for NB137/16D bolt                      | 2               |                       |
| 22  | NB137/20D     | Bolt for torsion bar levers                 | 2               |                       |
| 23  | NN137L        | Nut for NB137/20D bolt                      | 2               |                       |
| 23a | FG106X        | Spring washer for NB137/20D bolt            | 2               |                       |
| 24  | NB131/13D     | Bolt clamping torsion bar levers to chassis | 2               |                       |
| 25  | NN137L        | Nut for clamp bolts                         | 2               |                       |
| 26  | FG105X        | Spring washer for NB131/13D bolt            | 2               |                       |



**FIG. 10**

| PART # | DESCRIPTION   | QTY REQ. | REMARKS  |
|--------|---|----------|--|
| 1      | C12988 Front brake discs  | 2        |  |
| 2      | C1102 Spinner for R/hand side                                       | 2        |  |
|        | C1103 Spinner for L/hand side                                       | 2        |  |
| 3      | C12930 Caliper mounting plate                                       | 2        |  |
| 4      | C12928 Hub for R/hand side  | 1        | Wire wheel cars  |
|        | C12929 Hub for L/hand side  | 1        | Wire wheel cars  |
| 5      | C3362/1 Grease nipple in front hub                                  | 2        |  |
| 6      | C8324K Lower ball-joint kit   | 2        | Shims not included - see 11  |
| 6a     | C8324 Lower ball pin <b>only</b>                                    | 2        |  |
| 6b     | C12557 Cup for lower ball pin - <b>Nylon</b> type                   | 2        | (Replaces brass cup & spigot)  |
| 6c     | C3024 Spigot over ball pins - <b>Not available</b>                  | →        | This is not required with modern (C12557) ball pin cup - only if original shallow type cup is used |
| 7      | C3362 Grease nipple in ball socket cap                              | 2        |  |
| 8      | NS137/9H Set screw securing cap to housing                          | 8        |  |
| 9      | C3028 Plate locking set screws                                      | 4        |  |
| 10     | C3023 Cap - containing ball socket                                  | 2        | Secondhand only  |
| 11     | C3026/1 Shim between housing and ball socket cap                    | As req.  | 0.004" thick   |
|        | C3026/1S Thicker shim for above (as option)                         | As req.  | 0.010 thick  |
| 12     | C8326 Gaiter retaining plate for lower ball joints                  | 2        |  |
| 12a    | C3818 Setscrews for gaiter retainer                                 | 8        |  |
| 13     | C8325 Gaiter for lower ball joints                                  | 2        |  |
| 13a    | C8327 Wire clip for ball pin gaiter                                 | 4        | For upper & lower balljoints   |
| 14     | C3008 Stub axle shaft   | 2        | Not handed - <b>New</b>  |
| 15     | C3011 Inner hub bearing   | 2        |  |
| 16     | C614 Cover plate over grease retainer                               | 2        |  |
| 17     | C615 Felt grease retainer on stub axle shafts                       | 2        |  |
| 18     | C3606/C3009 Stub axle carrier                                       | 2        | We have found no difference, RH or LH  |
| 19     | C8325 Gaiter for upper ball joints                                  | 2        |  |
| 20     | C15890 Upper ball joint assembly (complete assembly)                | 2        | Comes complete with gaiter   |
| 21     | C3169 Shim-wheel castor adjustment between housing & upper w/levers | -        | Fitted as required   |
| 22     | C8468 Steering arm - L/hand   | 1        | Secondhand   |
|        | C8467 Steering arm - R/hand   | 1        | Secondhand   |
| 23     | C3010/2 Nut-securing stub axle to carrier                           | 2        | Slotted  |
| 24     | C3010/1 Nut-securing hubs & bearings to stub axle shafts            | 2        | Slotted  |
| 25     | C3400 'D' washer under nuts on front hubs                           | 2        |  |
| 26     | C3012 Outer hub bearing   | 2        |  |
| 27     | NB143/28F Bolt holding steering arms/caliper plates                 | 4        |  |
| 28     | NB143/20F Bolt holding caliper plates to hub carrier                | 4        |  |
| 29     | NN743L Castle nuts for No.'s 27 & 28                                | 4        | <b>Or use Nylock 7/16</b>  |
| 30     | L103/7U Split pin   | 8        |  |
| 31     | NN750L Nut for upper ball joints                                    | 2        |  |
| 32     | L104/10U Split pin  | 2        |  |
| 33     | C3114 Washer behind stub axle                                       | 2        |  |
| 34     | L105/12U Split pin for stub axle to carrier                         | 2        |  |
| 35     | L104/102U Split pin for front hubs                                  | 2        |  |
| 36     | C13101/2 Brackets for brake hoses                                   | Pair     | Sold in pairs only   |
| 37     | C13546 Bolts holding discs to hub                                   | 10       | (also 10 on rear discs)  |
| 38     | UFN143L Metal lock-nuts for C13546 bolts                            | 10       | (also 10 on rear discs)  |
| 39     | C3007 Top ball joint lock-tab                                       | 4        |  |



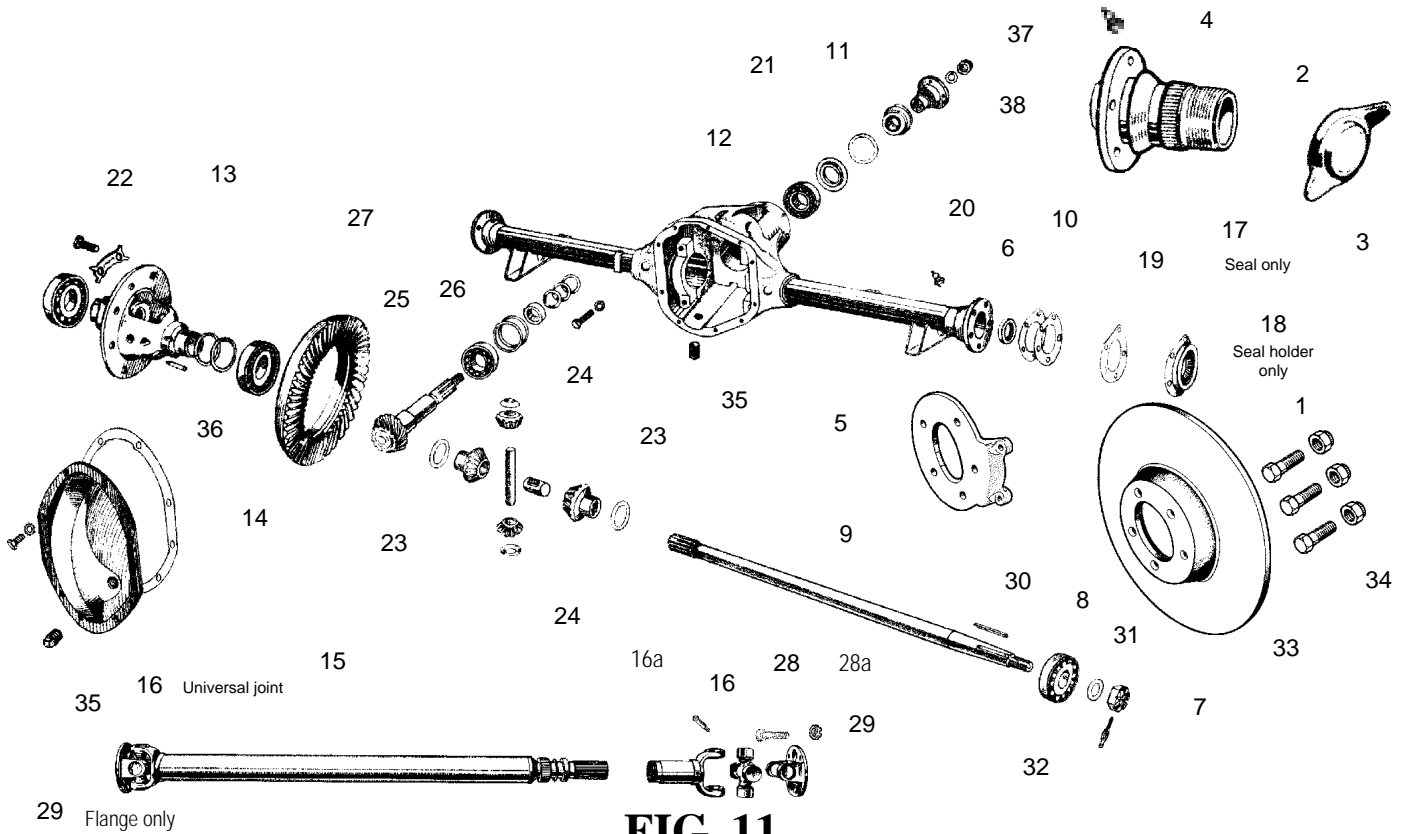
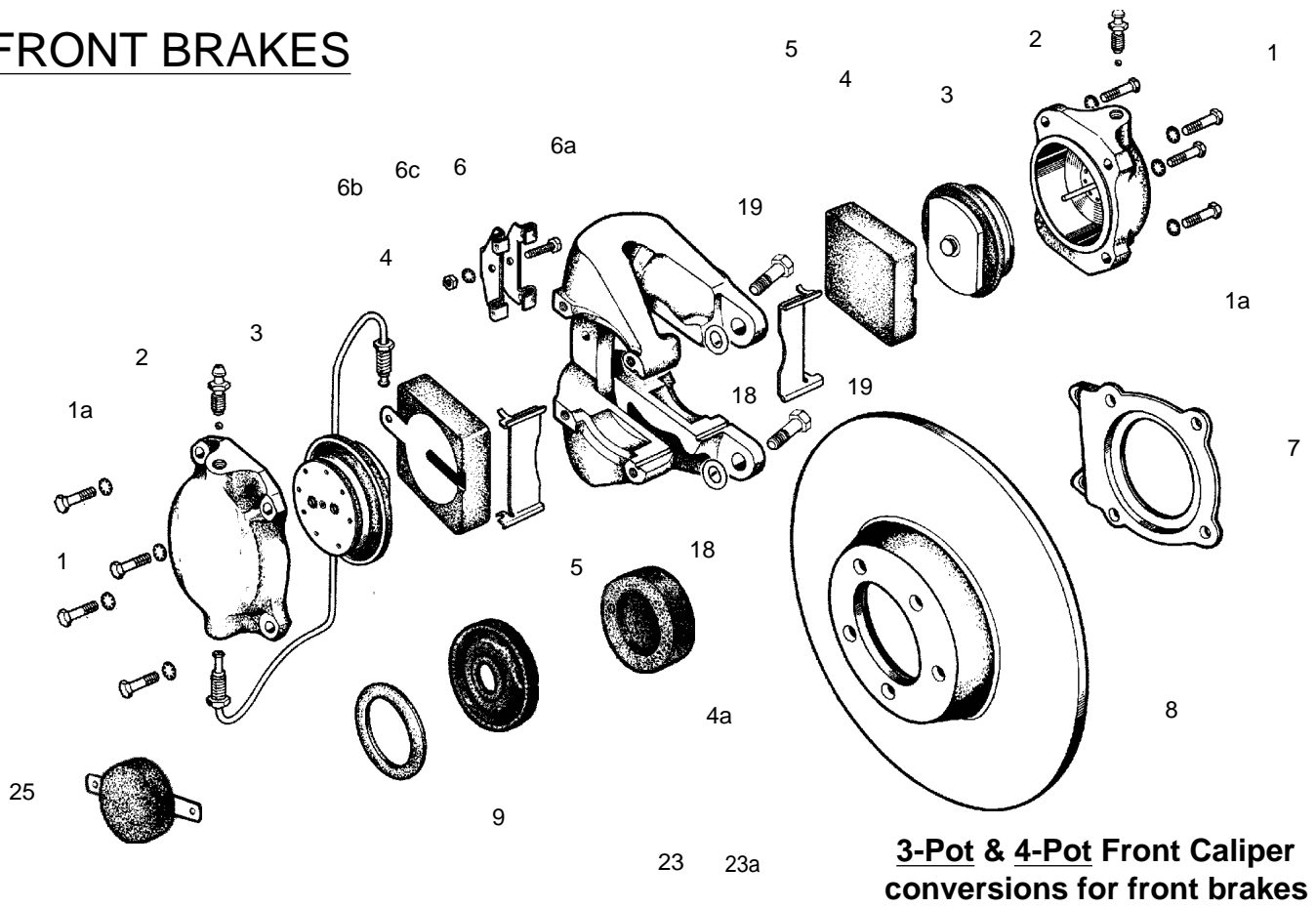


FIG. 11

|     | PART #     | DESCRIPTION                                    | QTY REQ.    | REMARKS                  |
|-----|------------|--|-------------|--------------------------|
| 1   | C12988     | Rear brake disc                                | 2           |                          |
| 2   | C12933     | Rear hub - <b>R/hand</b>                       | 1           |                          |
|     | C12934     | Rear hub - <b>L/hand</b>                       | 1           |                          |
| 3   | C1102      | Wheel spinner - <b>R/hand</b>                  | 2           |                          |
|     | C1103      | Wheel spinner - <b>L/hand</b>                  | 2           |                          |
| 4   | C3076/1    | Grease nipple for hubs                         | 2           |                          |
| 5   | C16587     | Caliper mounting plate - <b>R/hand</b>         | 1           |                          |
|     | C16588     | Caliper mounting plate - <b>L/hand</b>         | 1           |                          |
| 6   | 3848       | Oil seal for shaft in end carrier              | 2           |                          |
| 7   | 131        | Castellated nut on axle shaft                  | 2           |                          |
| 8   | 3846       | Hub bearings                                   | 2           |                          |
| 9   | 3924       | Rear axle half-shaft - improvement on standard | 2           | EN30B steel              |
| 10  | 2HA-050    | Shims for hub bearings                         | As required | 0.003" thick             |
|     | 2HA-051    | Shims for hub bearings                         | As required | 0.005" thick             |
|     | 2HA-052    | Shims for hub bearings                         | As required | 0.010" thick             |
| 11  | 3840       | Pinion oil seal                                | 1           | <b>Improved material</b> |
| 12  | 3843       | Roller bearing - outer end of pinion           | 1           |                          |
| 13  | 3845       | Roller bearing - in diff case                  | 2           |                          |
| 14  | 3931       | Gasket for axle rear cover                     | 1           |                          |
| 15  | C7522      | Propshaft (non-overdrive cars)                 | 1           |                          |
|     | C8259      | Propshaft (overdrive cars)                     | 1           |                          |
| 16  | 46         | Needle roller universal joint                  | 2           |                          |
| 16a | 248        | Grease nipple for universal joint              | 2           |                          |
| 17  | C1481      | Axle outer oil seal for hubs                   | 2           | <b>Seal only</b>         |
| 18  | C1480      | Holder only for C1481 seal                     | 2           | <b>Seal not included</b> |
| 19  | C1483      | Gasket for rear hub seal plate                 | 2           |                          |
| 20  | C3362/1    | Grease nipple in axle tubes                    | 2           |                          |
| 21  | 3841       | Gasket for pinion                              | 1           |                          |
| 22  | 6316       | Lock strap for crown wheel screws              | 5           |                          |
| 23  | 3855       | Thrust washers for axle side gears             | 2           |                          |
| 24  | 3854       | Thrust washers for pinion mate gears           | 2           |                          |
| 25  | 3844       | Axle pinion inner bearing                      | 1           |                          |
| 26  | 3860       | Shim to adjust pinion - <b>inner</b>           | As req.     | 0.003" thick             |
|     | 3861       | Shim to adjust pinion - <b>inner</b>           | As req.     | 0.005" thick             |
|     | 3862       | Shim to adjust pinion - <b>inner</b>           | As req.     | 0.010" thick             |
| 27  | 3857       | Shim to adjust pinion - <b>outer</b>           | As req.     | 0.005" thick             |
|     | 3858       | Shim to adjust pinion - <b>outer</b>           | As req.     | 0.010" thick             |
| 28  | C3308      | Bolt for propshaft                             | 8           |                          |
| 28a | Nylock 3/8 | Nut for propshaft bolt                         | 8           |                          |
| 29  | 12         | <b>Flange only</b> for propshaft               | 2           | New                      |
| 30  | C7356      | Key in halfshaft                               | 2           |                          |
| 31  | 133        | Washer on end of halfshaft                     | 2           |                          |
| 32  | L104/12U   | Splitpin in end of halfshaft                   | 2           |                          |
| 33  | C13546     | Bolt holding disc to hub                       | 10          |                          |
| 34  | UFN143L    | Nut for above                                  | 10          |                          |
| 35  | 3823       | Top-up plug and drain plug                     | 2           |                          |
| 36  | 3936       | Shim to adjust differential                    | As req.     | 0.005"                   |
|     | 3937       | Shim to adjust differential                    | As req.     | 0.010"                   |
| 37  | 115        | Nut for pinion flange                          | 1           |                          |
| 38  | 114        | Washer for pinion flange                       | 1           |                          |

# FRONT BRAKES



# REAR BRAKES

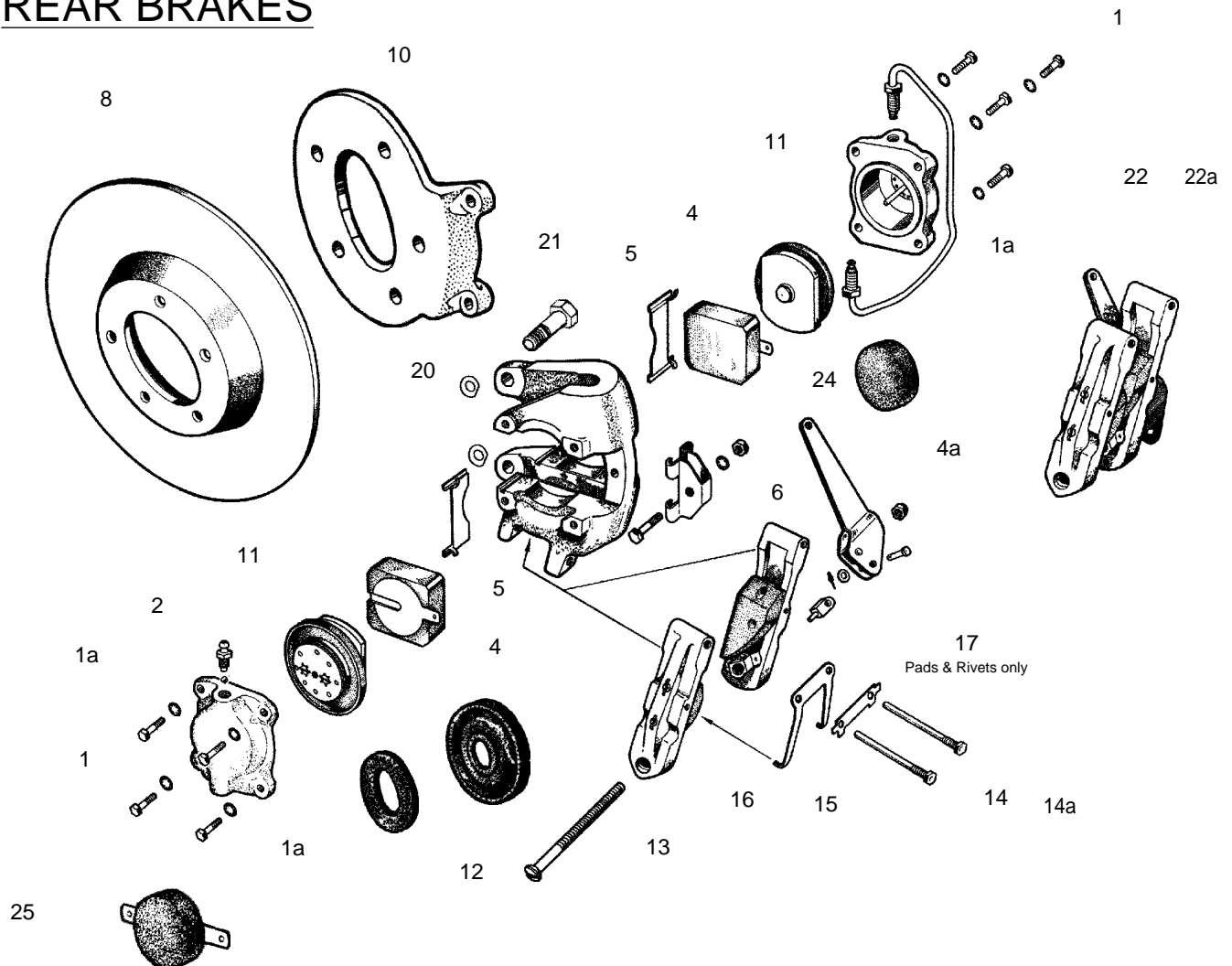


FIG. 12

|    | <b>PART #</b> | <b>DESCRIPTION</b>                        | <b>QTY REQ.</b> | <b>REMARKS</b>     |
|----|---------------|---|-----------------|--------------------|
| 1  | 7720          | Bolt - securing cylinders to calipers     | 32              | Same, front & rear |
| 1a | FG104X        | Spring washer for caliper piston bolts    | 32              | Same, front & rear |
| 2  | 6911          | Bleed screw (includes ball)               | 4               | Same, front & rear |
| 3  | 7843          | Front cylinder assembly (includes piston) | 4               | 2.1/8"             |

**Please Note:-** cylinder assemblies are not available for early round pad calipers - **But see #25**

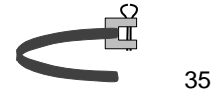
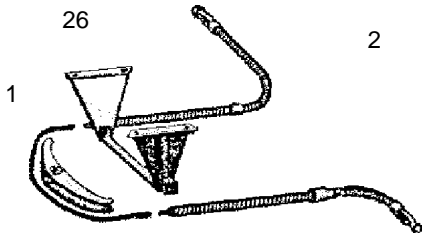
|    |          |   |        |                    |
|----|----------|---|--------|--------------------|
| 4  | 7937     | <b>Square</b> brake pads - 4 piece axle set         | 2 Sets | Same, front & rear |
| 4a | 6912     | <b>Round</b> brake pads for early calipers          | 2 Sets | Same, front & rear |
| 5  | 7718     | Support plate for pads                              | 8      | Same, front & rear |
| 6  | 7719     | Retaining plate for pads                            | 4      | Same, front & rear |
| 6a | NS125/7D | Set screw holding 7719 retaining plate              | 4      | Same, front & rear |
| 6b | NN125L   | Nut for set screw                                   | 4      | Same, front & rear |
| 6c | FG104X   | Spring washer for nut                               | 4      | Same, front & rear |
| 7  | C12930   | Mounting plate for front calipers                   | 2      |                    |
| 8  | C12988   | Brake discs   | 4      | Same, front & rear |
| 9  | GB2556   | Seal kit for front brakes                           | 1 Set  | Front axle set     |
| 10 | C16587   | Mounting plate for rear caliper - <b>R/hand</b>     | 1      | Only sold as pairs |
|    | C16588   | Mounting plate for rear caliper - <b>L/hand</b>     | 1      |                    |
| 11 | 7847     | Rear cylinder assembly (1.11/16") (includes piston) | 4      |                    |

**Please Note:-** cylinder assemblies are not available for early round pad calipers - **But see #25**

|     |        |  |          |                                     |
|-----|--------|--|----------|-------------------------------------|
| 12  | GB2559 | Seal kit for rear brakes <b>1.5/8" pistons</b>         | 1 Set    | Rear axle set - Check size!         |
|     | GB2569 | Seal kit for rear brakes <b>1.11/16" pistons</b>       | 1 Set    | Rear axle set - Check size!         |
| 13  | 6927   | Bolts securing handbrake lever to pad carrier          | 2        |                                     |
| 14  | 8016   | Bolts securing handbrake mechanism to calipers         | 4        | <b>Late cars</b> (thread near head) |
| 14a | 6925   | Bolts securing handbrake mechanism to calipers         | 4        | <b>Early cars</b> (Thread at end)   |
| 15  | 8014   | Tab washer securing 14 or 14a                          | 2        |                                     |
| 16  | 8017   | Retraction plate for later cars                        | 2        | <b>Late cars</b>                    |
| 17  | 8302   | Handbrake pad set                                      | 4        | Includes 8 rivets                   |
| 18  | C13196 | Shims to adjust front caliper position                 | As req.  | .005 thick                          |
| 19  | C13547 | Bolts holding front caliper assembly to mounting plate | 4        | <b>Drilled head</b>                 |
| 20  | C13198 | Shims to adjust rear caliper position                  | As req.  | .005 thick                          |
| 21  | C14383 | Bolts holding rear caliper assembly to mounting plate  | 4        | <b>Drilled head</b>                 |
| 22  | C16585 | Handbrake caliper assembly - <b>R/hand</b>             | 1        | <b>As pictured</b>                  |
| 22a | C16586 | Handbrake caliper assembly - <b>L/hand</b>             | 1        | <b>As pictured</b>                  |
| 23  | FDK10S | 3-pot caliper conversion for front brakes              | 1Set     | Uses existing caliper mount plates  |
| 23a | FDK10A | 4-pot Aluminium caliper conversion for front brakes    | 1Set     | With special caliper mount plates   |
| 24  | 6931   | Handbrake caliper lever in <b>stainless steel</b>      | 2        |                                     |
| 25  | RPC    | Special brake pad for round pad cars                   | 2 x sets | See note below.                     |

Note:- Above pads enable later piston/cylinder assemblies to be fitted to early, round pad type caliper frames.

EARLY CARS - ONE PIECE CABLE



OTHER PARTS ARE SAME AS LATER CARS

LATER CARS - (TWIN CABLES)

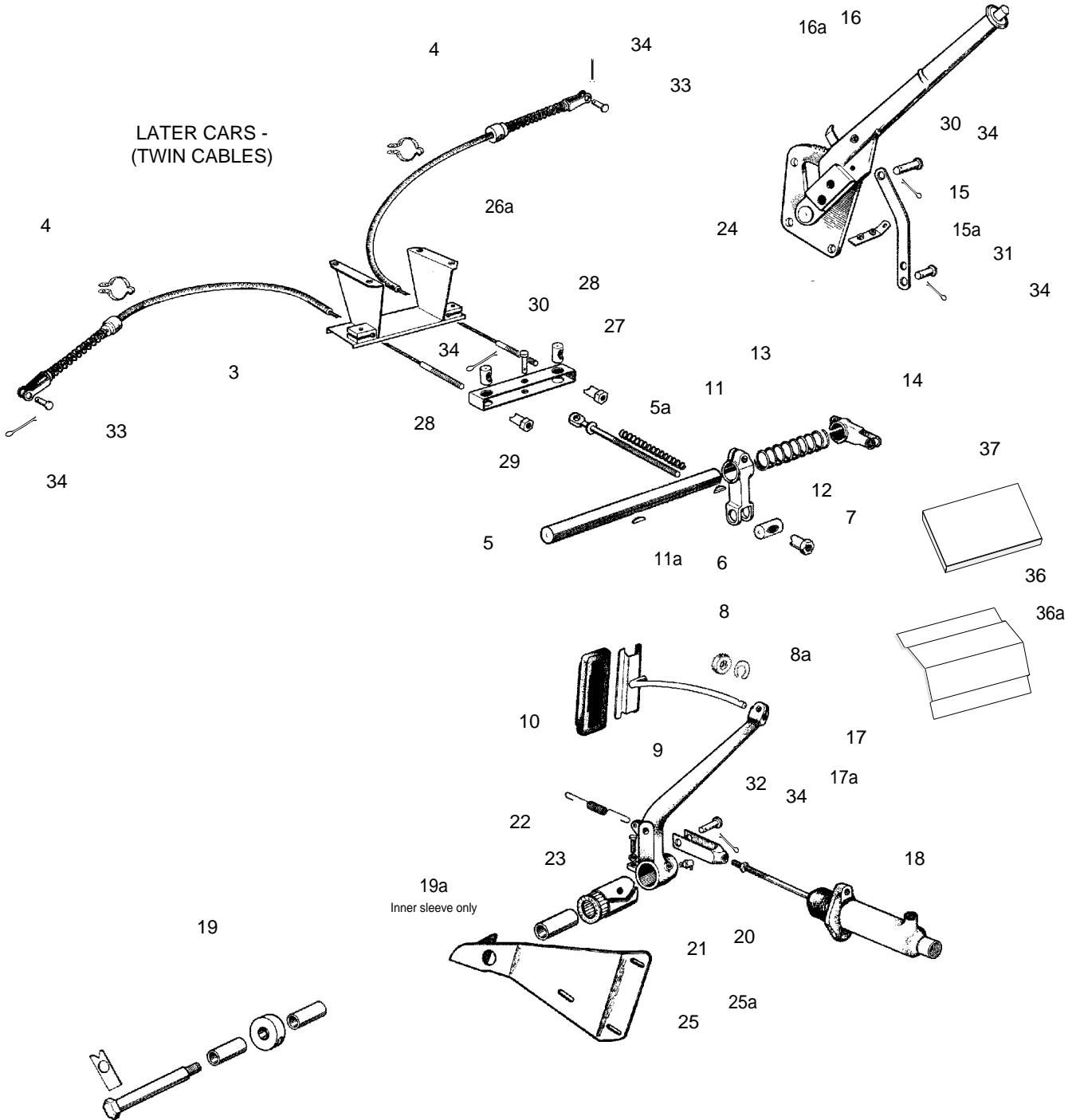
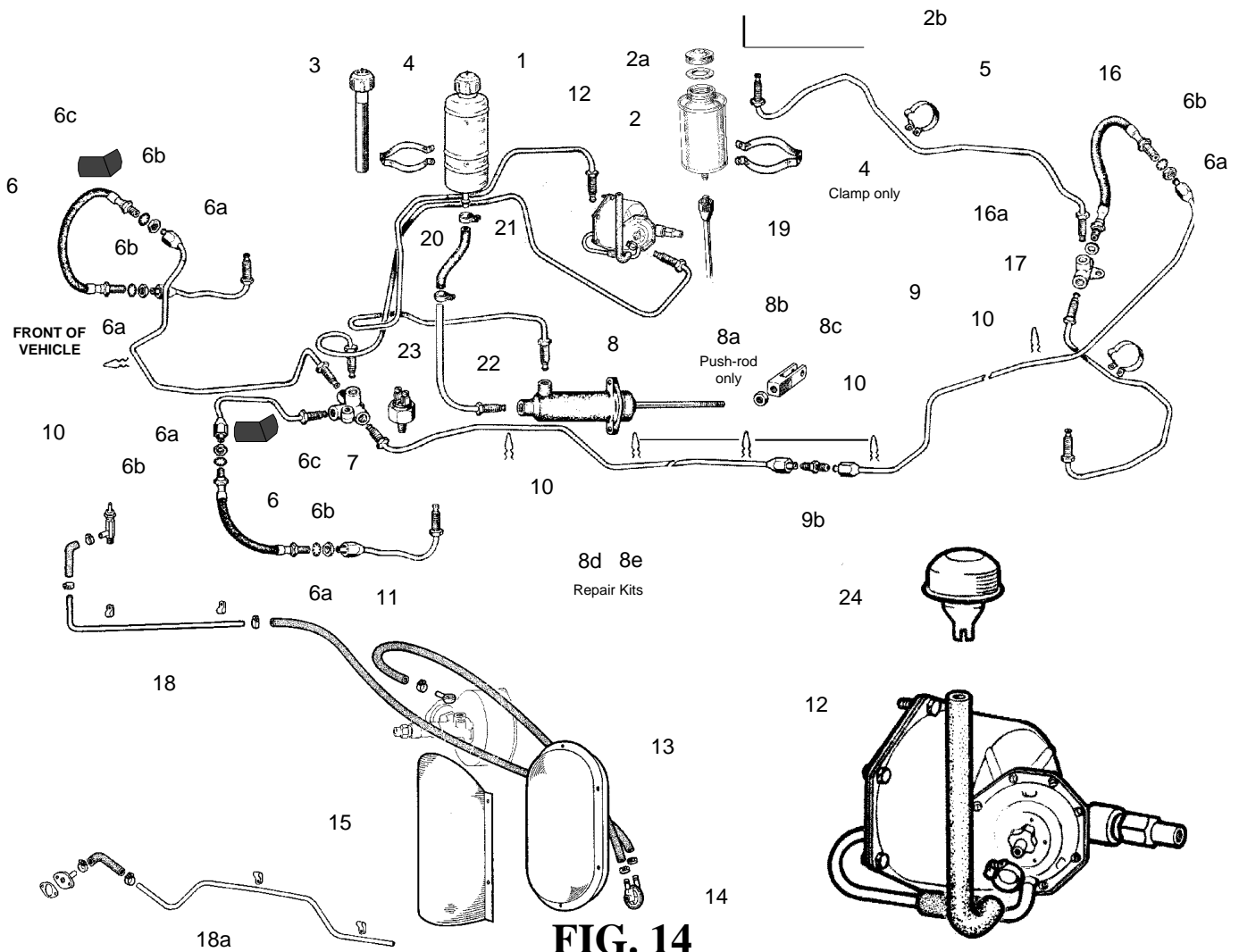


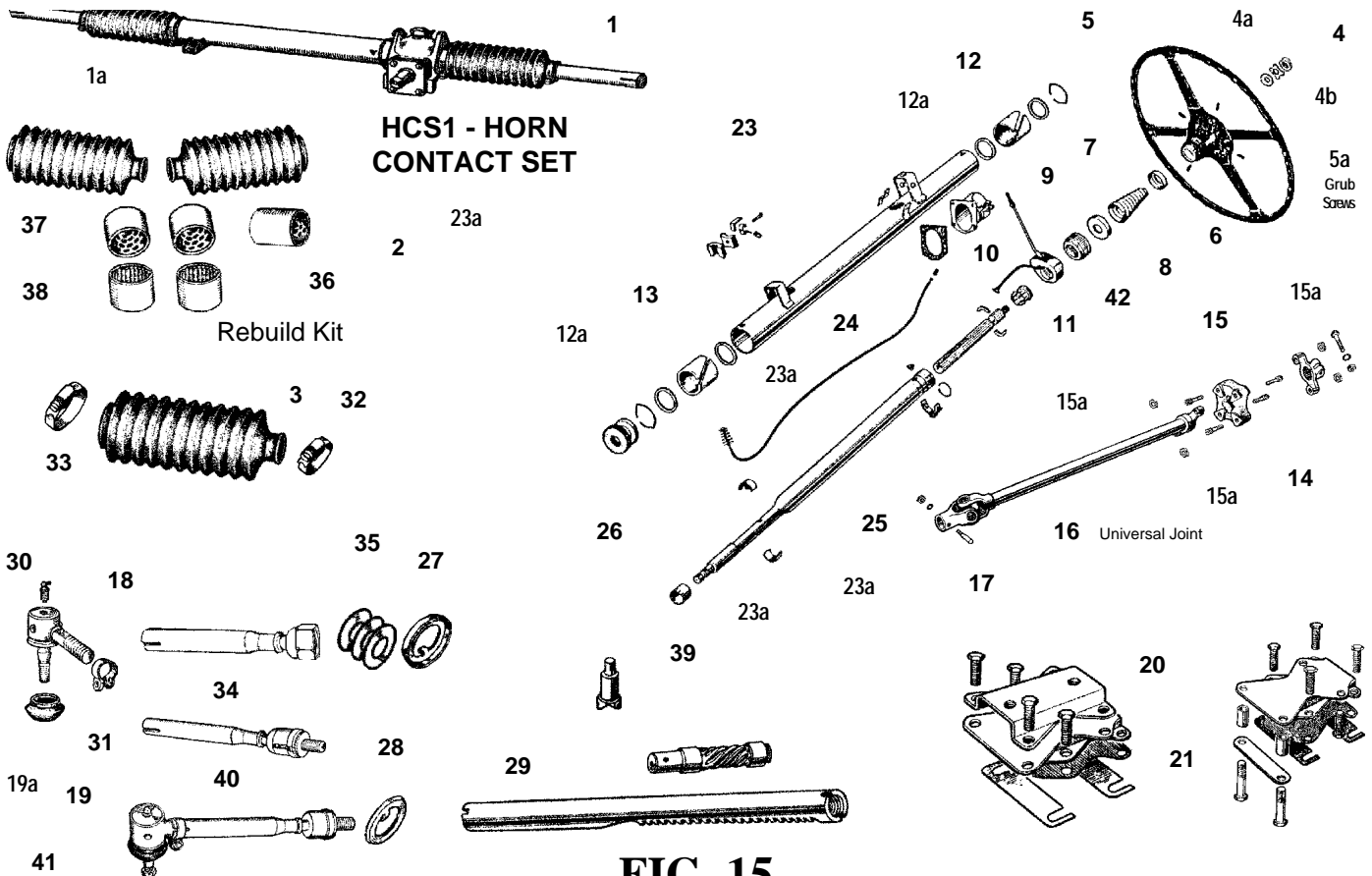
FIG. 13

|     | <b>PART #</b> | <b>DESCRIPTION</b>  | <b>QTY REQ.</b> | <b>REMARKS</b>                    |
|-----|---------------|---|-----------------|-----------------------------------|
| 1   | C3274         | Compensator assembly for cable                                    | 1               | <b>Early cars</b>                 |
| 2   | C13016        | Handbrake cable   | 1               | <b>Early cars</b> (1 piece cable) |
| 3   | C16868        | Handbrake cable   | 2               | <b>Late cars</b>                  |
| 4   | C7860         | Clip - securing cable to axle                                     | 2               |                                   |
| 5   | C3322         | Compensator rod   | 1               | Early & Late cars                 |
| 5a  | C3264         | Spring on compensator rod   | 1               | Early & Late cars                 |
| 6   | C3265         | Trunnion on compensator rod                                       | 1               | Early & Late cars                 |
| 7   | C3266         | Barrel nut on compensator rod                                     | 1               | Early & Late cars                 |
| 8   | C8299         | Felt seal on pedal stem   | 1               | (Also 1 on clutch pedal)          |
| 8a  | C8301         | Circlip on pedal stem   | 1               | (Also 1 on clutch pedal)          |
| 9   | C12956        | Pedal stem/plate  | 1               |                                   |
| 10  | C9934         | Pedal rubber pad  | 1               | (Also 1 on clutch pedal)          |
| 11  | C8318         | Cross-shaft supporting levers                                     | 1               |                                   |
| 11a | C755          | Woodruff key on cross-shaft                                       | 2               |                                   |
| 12  | C13007        | Operating lever on cross-shaft                                    | 1               |                                   |
| 13  | C3722         | Spring on cross-shaft   | 1               |                                   |
| 14  | C8317         | Lever attaching handbrake link                                    | 1               |                                   |
| 15  | C8316         | Link - connecting handbrake lever to cross-shaft                  | 1               | <b>Early cars</b>                 |
| 15a | C16866        | Link - connecting handbrake lever to cross-shaft                  | 1               | <b>Late cars</b>                  |
| 16  | C10353        | Handbrake lever assembly - <b>R/hand drive cars</b>               | 1               | Enquire                           |
| 16a | C10354        | Handbrake lever assembly - <b>L/hand drive cars</b>               | 1               | Enquire                           |
| 17  | C12971        | Brake pedal arm - <b>R/hand drive cars</b>                        | 1               | Standard or Overdrive             |
| 17a | C12955        | Brake pedal arm - <b>L/hand drive cars</b>                        | 1               | Standard or Overdrive             |
| 18  | C16470        | Master cylinder assembly  | 1               |                                   |
| 19  | PMK150        | Mounting kit for brake & clutch pedals                            | Kit             | 5 piece kit (pictured in box)     |
| 19a | C3224         | Pedal bearing inner sleeve <b>only</b>                            | 1               | (Also comes as part of PMK150)    |
| 20  | C12968        | Fork end for master cylinder                                      | 1               |                                   |
| 21  | C13877        | Grease nipple on pedal boss                                       | 1               |                                   |
| 22  | C3317         | Return spring for brake pedal                                     | 1               | (Also 1 on clutch pedal)          |
| 23  | C3223         | Roller bearing in pedal boss                                      | 1               | (Also 1 on clutch pedal)          |
| 24  | C10353*B      | Handbrake ratchet plate <b>only</b>                               | 1               |                                   |
| 25  | C12972        | Tie plate between pedal-shaft & master-cylinder bracket           | 1               | <b>R/hand drive cars</b>          |
| 25a | C12973        | Tie plate between pedal-shaft & master-cylinder bracket           | 1               | <b>L/hand drive cars</b>          |
| 26  | C14467        | Abutment for <b>Early</b> Handbrake cable                         | 1               | <b>Cars with single cable</b>     |
| 26a | C16863        | Abutment for <b>Late</b> Handbrake cable                          | 1               | <b>Cars with twin cables</b>      |
| 27  | C16870        | Compensator link assembly for handbrake cables - <b>Late cars</b> | 1               | <b>Cars with twin cables</b>      |
| 28  | C5180         | Trunnion in C16870 compensator link - <b>Late cars</b>            | 2               | <b>Cars with twin cables</b>      |
| 29  | C3266         | Barrel nuts on Handbrake cables - <b>Late cars</b>                | 2               | <b>Cars with twin cables</b>      |
| 30  | J106/16S      | Clevis pin on compensator link & handbrake link                   | 2               |                                   |
| 31  | J106/11S      | Clevis pin on link to handbrake lever                             | 1               |                                   |
| 32  | J106/17S      | Clevis pin on master cylinder fork end                            | 1               |                                   |
| 33  | J105/12S      | Clevis pin on handbrake cable fork ends                           | 2               |                                   |
| 34  | L103/7U       | Splitpin for all above clevis pins                                | 6               |                                   |
| 35  | BD7738/1      | Clip only for handbrake lever leather gaiter                      | 1               | (also one on gear lever boot)     |
| 36  | BD14320       | Plate holding pedal seal - <b>R/hand drive cars</b>               | 1               | Covers brake & clutch pedal       |
| 36a | BD13123       | Plate holding pedal seal - <b>L/hand drive cars</b>               | 1               | Covers brake & clutch pedal       |
| 37  | BD13127       | Felt seal for pedals  | 1               | Covers brake & clutch pedal       |



**FIG. 14**

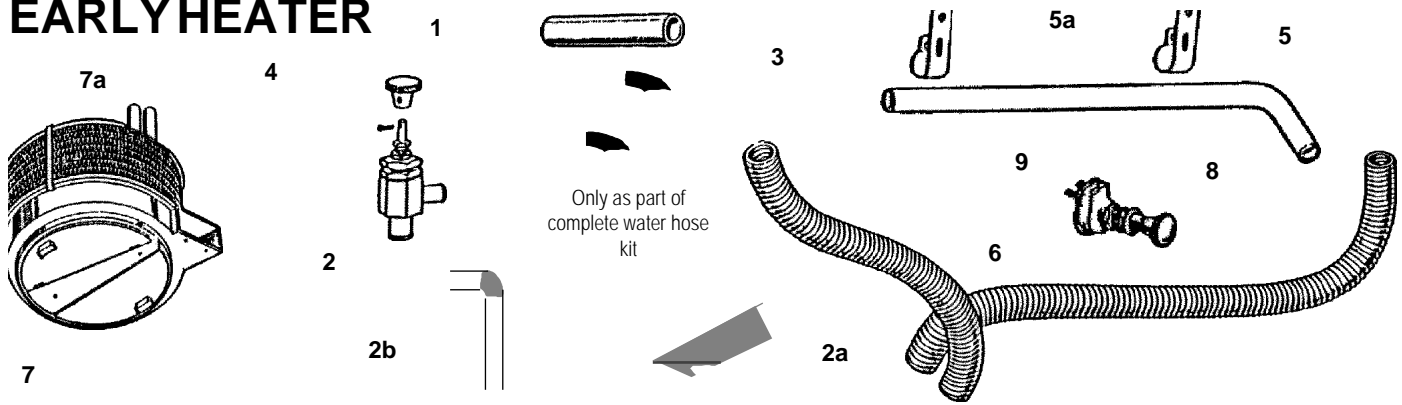
| PART # | DESCRIPTION   | QTY REQ. | REMARKS                           |
|--------|---|----------|-----------------------------------|
| 1      | C16830 Brake fluid supply tank (plastic) (includes cap)         | 1        | <b>Late cars</b>                  |
| 2      | C13165 Brake fluid supply tank (steel) (includes cap)           | 1        | <b>Early cars</b>                 |
| 2a     | RC1 Cap only for C13165 reservoir                               | 1        | (also same on clutch reservoir)   |
| 2b     | C13664 Bracket to hold 1040 reservoir clip to bulkhead          | 1        |                                   |
| 3      | C16375 Filler cap & level indicator only (for C16830 reservoir) | 1        | <b>Late cars</b>                  |
| 4      | 1040 Clip around supply tank                                    | 1        | <b>Same early &amp; late cars</b> |
| 5      | C7860 Clip retaining brake pipes to axle                        | 2        |                                   |
| 6      | C13182 Front brake hose   | 2        |                                   |
| 6a     | NN237L Lock-nut on brake hoses                                  | -        | 4 on front hoses - 1 on rear      |
| 6b     | C726 Shakeproof washer on brake hoses                           | -        | 4 on front hoses - 1 on rear      |
| 6c     | C13101/2 Front brake hose brackets                              | Pair     | Sold in pairs only                |
| 7      | C13179 5-way union for front brake pipes                        | 1        | Takes brake light switch also     |
| 8      | C16470 Brake master cylinder                                    | 1        |                                   |
| 8a     | 6946 Push-rod only for master cylinder                          | 1        |                                   |
| 8b     | NN231L Lock-nut on push-rod                                     | 1        |                                   |
| 8c     | C12968 Fork end on push-rod                                     | 1        |                                   |
| 8d     | GMCK Master cylinder kit - <b>Girling cylinders</b>             | 1        | <b>Please state which</b>         |
| 8e     | SP9008 Master cylinder kit - <b>Dunlop cylinders</b>            | 1        | <b>master cylinder is fitted</b>  |
| 9      | BPS150L Brake pipe set - <b>Left hand drive cars</b>            | Set      | Made in Kunifer                   |
| 9a     | BPS150R Brake pipe set - <b>Right hand drive cars</b>           | Set      | Made in Kunifer                   |
| 9b     | C13187 Male/male connector for brake pipes                      | 1        |                                   |
| 10     | C5023 Clip - securing brake pipes to chassis                    | 8        |                                   |
| 11     | C14741 Brake servo hose- sold per foot                          | As req.  | (about 3ft per car)               |
| 12     | C12937E Servo unit - reconditioned                              | 1        | Exchange unit                     |
| 13     | C14681 Reservac tank - (when fitted)                            | 1        | <b>Later cars</b>                 |
| 14     | C14693 Check valve on reservac tank- (when fitted)              | 1        | <b>Later cars</b>                 |
| 15     | C14486 Stone guard for reservac tank- (when fitted)             | 1        | <b>Later cars</b>                 |
| 16     | C13188 Rear brake hose  | 1        |                                   |
| 16a    | C13391 Copper washer sealing rear brake hose                    | 1        |                                   |
| 17     | C13189 3-way union (on back axle)                               | 1        |                                   |
| 18     | C14742 Rigid pipe for servo vacuum                              | 1        | <b>Early cars</b>                 |
| 18a    | C14743 Rigid pipe for servo vacuum                              | 1        | <b>Later cars</b>                 |
| 19     | C13668 Rigid pipe for early reservoir                           | 1        | <b>Early cars</b>                 |
| 20     | C6854 Flexible hose from reservoir                              | 1        | <b>Same early &amp; late cars</b> |
| 21     | K1 Hose clip for flex pipe                                      | 2        | <b>Same early &amp; late cars</b> |
| 22     | C16943 Rigid pipe from flex pipe to m/cyl.                      | 1        |                                   |
| 23     | C3901 Brake (stop) light switch                                 | 1        |                                   |
| 24     | C13172 Servo air filter assembly                                | 1        | Please enquire                    |



**FIG. 15**

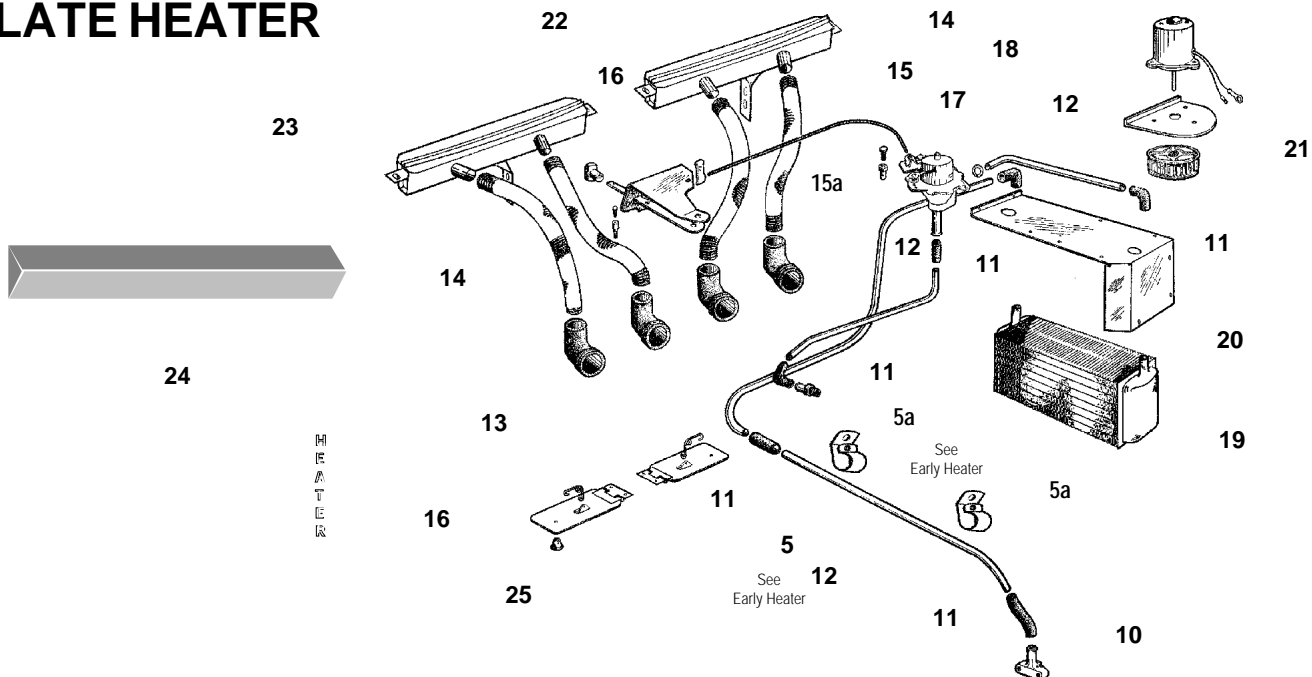
| PART # | DESCRIPTION   | QTY REQ. | REMARKS  |
|--------|---|----------|--|
| 1      | C8469E Rack and pinion assy. - RHD - Exchange                       | 1        | With <b>NEW</b> rack & pinion                        |
| 1a     | C8470E Rack and pinion assy. - LHD - Exchange                       | 1        | With <b>NEW</b> rack & pinion                        |
| 2      | RRK4050 Rack rebuild kit  | 1        | Kit as illustrated                                   |
| 3      | C6623 Rack gaiter (bellows)   | 2        | (Also part of RRK4050)                               |
| 4      | C7879 Nut securing steering wheel to column                         | 1        |  |
| 4a     | C11520 Tab washer locking nut to steering wheel                     | 1        |  |
| 4b     | C9017 Washer under steering wheel nut                               | 1        |  |
| 5      | C7842 Steering wheel  | 1        | Good repro!  |
| 5a     | C1037 Grub screw for steering wheel to horn push                    | 4        |  |
| 6      | C8576 Cup (small) at top of dust cover                              | 1        | Chromed  |
| 7      | C1024 Dust cover spring   | 1        | Stainless steel                                      |
| 8      | C3366 Cup (large) at bottom of dust cover                           | 1        | Chromed  |
| 9      | C13958 Direction indicator control switch                           | 1        | Switch only - (no cowls)                             |
| 10     | C12975 Bracket - mounts column to dash - RHD cars                   | 1        |  |
|        | C12979 Bracket - mounts column to dash - LHD cars                   | 1        |  |
| 11     | C7878 Split cones for locating steering wheel                       | Pair     | Two halves   |
| 12     | C10263 Upper felt bearing   | 1        |  |
| 12a    | C23592/3 Pair of steering column plastic bearings                   | Pair     | <b>To replace original felt version</b>              |
| 13     | C10264 Lower felt bearing   | 1        |  |
| 14     | C10836/1 Rubber coupling to lower steering                          | 1        |  |
| 15     | C10838 Cap screws for rubber coupling (C10836/1)                    | 4        |  |
| 15a    | C11820/3 Palnuts for C10838 capscrew                                | 4        |  |
| 16     | 5426 Universal joint in lower column                                | 1        |  |
| 17     | C6330 Taper pin (comes with nut and washer)                         | 1        |  |
| 18     | C8323 Outer ball joint assembly (outer track rod end)               | 2        | Includes rubber boot                                 |
| 19     | C8325 Ball joint gaiter (for original C8323)                        | 2        | For <b>Repro</b> C8323 use BJJ4050                   |
| 19a    | C8327 Wire clip for gaiter  | 2        |  |
| 20     | C7832 Rack tube support bracket                                     | 1        |  |
| 21     | C7799 Rack mounting (Metalastik)                                    | 2        |  |
| 23     | C8157 Horn contact assembly for slip ring                           | 1        | Assembly   |
| 23a    | HCS2 Horn contact set - <b>complete set</b>                         | 1        | All parts from push to column (No's 23, 24, 25 & 26) |
| 24     | C8153 Horn cable assembly   | 1        | Includes spring & contact                            |
| 25     | C10319/20 Plastic rotors in slip ring                               | Pair     |  |
| 26     | C10317 Horn slip ring   | 1        |  |
| 27     | C10027 Lock washer for ball housing                                 | 2        |  |
| 28     | C8053 Lock washer at ends of rack                                   | 2        |  |
| 29     | RPS Rack (C7067) & Pinion (C7606)                                   | 1 set    | (in matched set only)                                |
| 30     | C3362/1 Grease nipple   | 3        |  |
| 31     | C3165 Clamp for outer track rod ends                                | 2        |  |
| 32     | K3 Clip for rack gaiter (small)                                     | 2        |  |
| 33     | K5 Clip for rack gaiter (large)                                     | 2        |  |
| 34     | GMB4 Outer tie rod with nut only                                    | 2        | <b>Or see No's 40 &amp; 41</b>                       |
| 35     | C7569 Shim for adjustment of ball in GMB4                           | As req.  | Only 0.005 thou available                            |
| 36     | C7103 Bush in rack tube end   | 1        | (also part of RRK4050)                               |
| 37     | C10628 Bush in pinion housing                                       | 2        | (also part of RRK4050)                               |
| 38     | C7566 Bearings in pinion housing                                    | 2        | (also part of RRK4050)                               |
| 39     | C14002 Plunger on pinion housing                                    | 1        |  |
| 40     | C8322 Rack inner ball joint assembly                                | 2        | Includes nut   |
| 41     | C8321 Complete tie-rod assembly                                     | 2        | Ready to fit (inc. C8323)                            |
| 42     | C13858 Adjusting nut on steering column (for steering wheel height) | 1        |  |

# EARLY HEATER



|    | PART # | DESCRIPTION                                    | QTY REQ. | REMARKS                       |
|----|--------|--|----------|-------------------------------|
| 1  | C4393  | Knob - operating water valve                   | 1        | Chromed                       |
| 2  | C4392  | Valve - controlling water supply to heater     | 1        | In brass                      |
| 2a | C12945 | Bracket holding heater valve to inlet manifold | 1        |                               |
| 2b | C4400  | Rigid pipe from heater valve                   | 1        |                               |
| 3  | HK150  | Full water hose set                            | Set      | <b>Complete hose set only</b> |
| 4  | BD6521 | Heater ducting outlet "Tee" piece              | 1        | For HEA2                      |
| 5  | C13232 | Front return pipe - runs along cylinder block  | 1        | <b>Comes with C4837 clips</b> |
| 5a | C4837  | Clips only securing front return pipe          | 2        | In stainless steel            |
| 6  | HEA2   | Trunking from heater to demister vents         | 1        | Sold as 4ft. car length       |
| 7  | HEA3   | Heater unit - reconditioned original           | 1        | <b>Exchange only</b>          |
| 7a | HEA3C  | Heater matrix (radiator) only                  | 1        | <b>Correct thickness!</b>     |
| 8  | C5485  | Knob for heater fan switch                     | 1        |                               |
| 9  | C4543  | Heater rheostat switch                         | 1        | As original                   |

# LATE HEATER

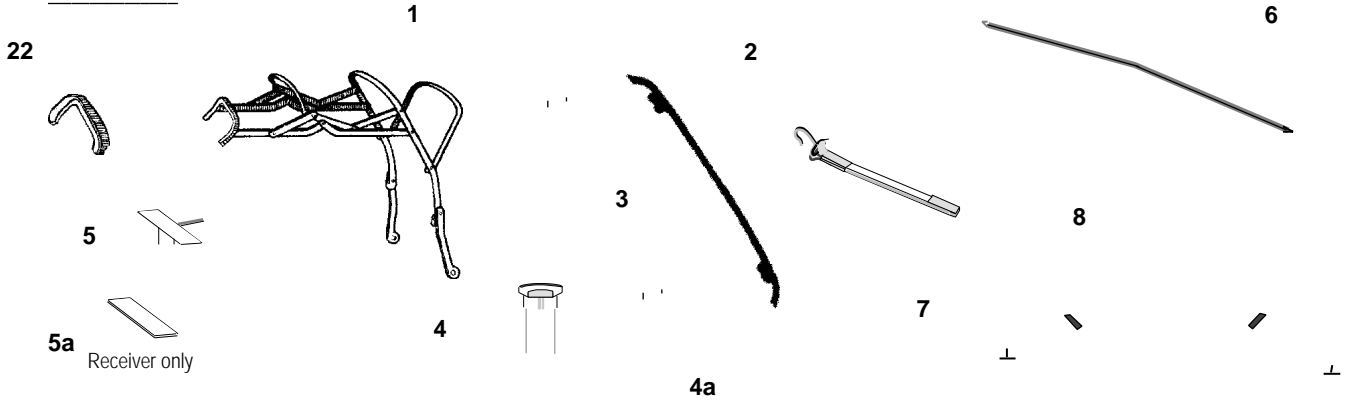


|     | PART #   | DESCRIPTION                            | QTY REQ. | REMARKS                       |
|-----|----------|--|----------|-------------------------------|
| 10  | C7631    | Elbow on water pump                    | 1        |                               |
| 11  | HK150    | Full water hose set                    | Set      | <b>Complete hose set only</b> |
| 12  | HPS150   | Heater rigid pipe set - 4 piece        | Set      | <b>Includes C13232</b>        |
| 13  | BD14607  | Rubber elbows for demister trunking    | 4        |                               |
| 14  | HEA2A    | Trunking from heater to demister vents | 1        | Sold as 8ft. car length       |
| 15  | C14607   | Heater cable (inner & outer cable)     | 1        |                               |
| 15a | C10351/2 | Trunnion and screw for cable           | 1        | Fits to heater valve          |
| 16  | BD15260  | Knob for heater slide control          | 1        |                               |
| 17  | C9927    | Water control valve                    | 1        |                               |
| 18  | C9928    | Rubber sealing ring for heater valve   | 1        |                               |
| 19  | C9288    | Heater matrix (radiator) only          | 1        | <b>Square type heater</b>     |
| 20  | BD15046  | Heater matrix mounting plate           | 1        | <b>Square type heater</b>     |
| 21  | BD15049  | Plate holding heater motor             | 1        | <b>Square type heater</b>     |
| 22  | BD15404  | Demister outlet - <b>L/hand</b>        | 1        |                               |
| 23  | BD15405  | Demister outlet - <b>R/hand</b>        | 1        |                               |
| 24  | BD15535  | Chrome strip behind heater slide knob  | 1        |                               |
| 25  | BD10807  | Heater door knob                       | 2        |                               |

**FIG. 16**



Roadster



Drop head Coupé

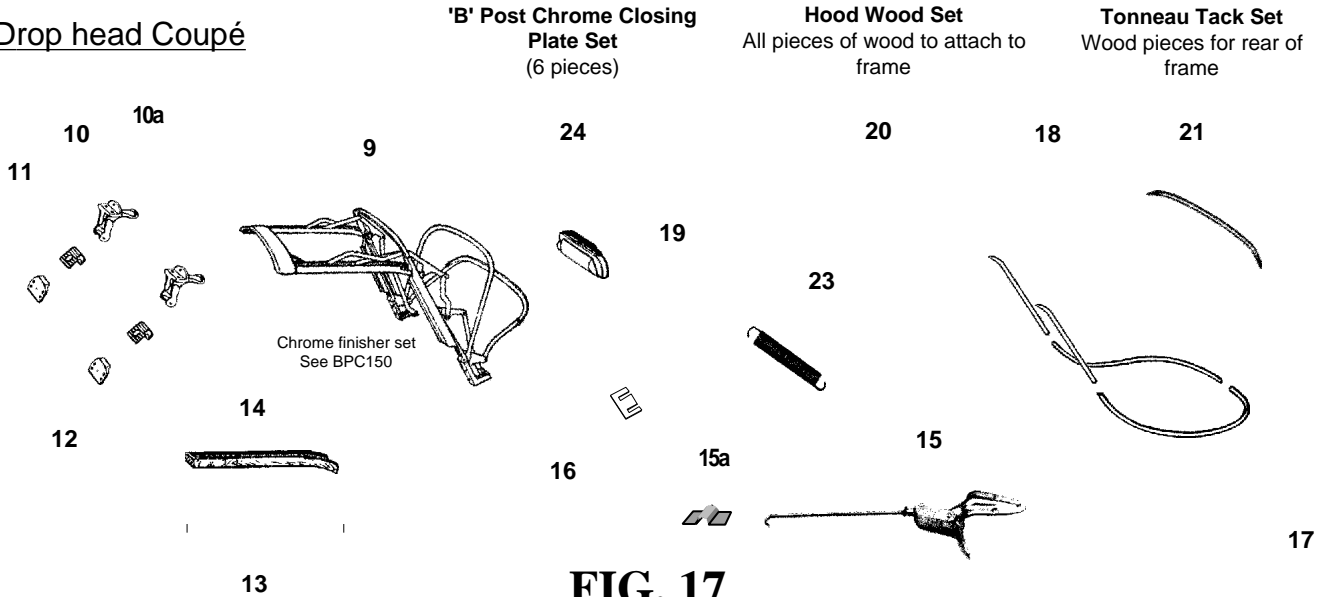
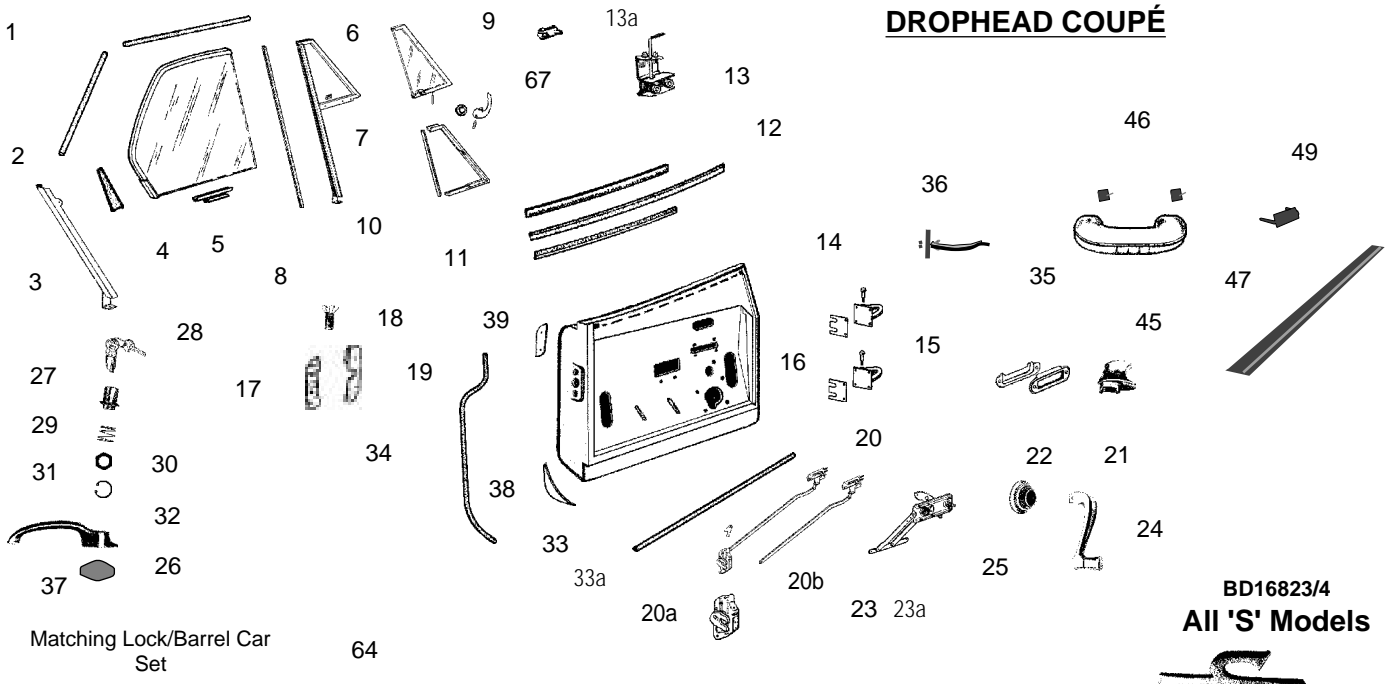


FIG. 17

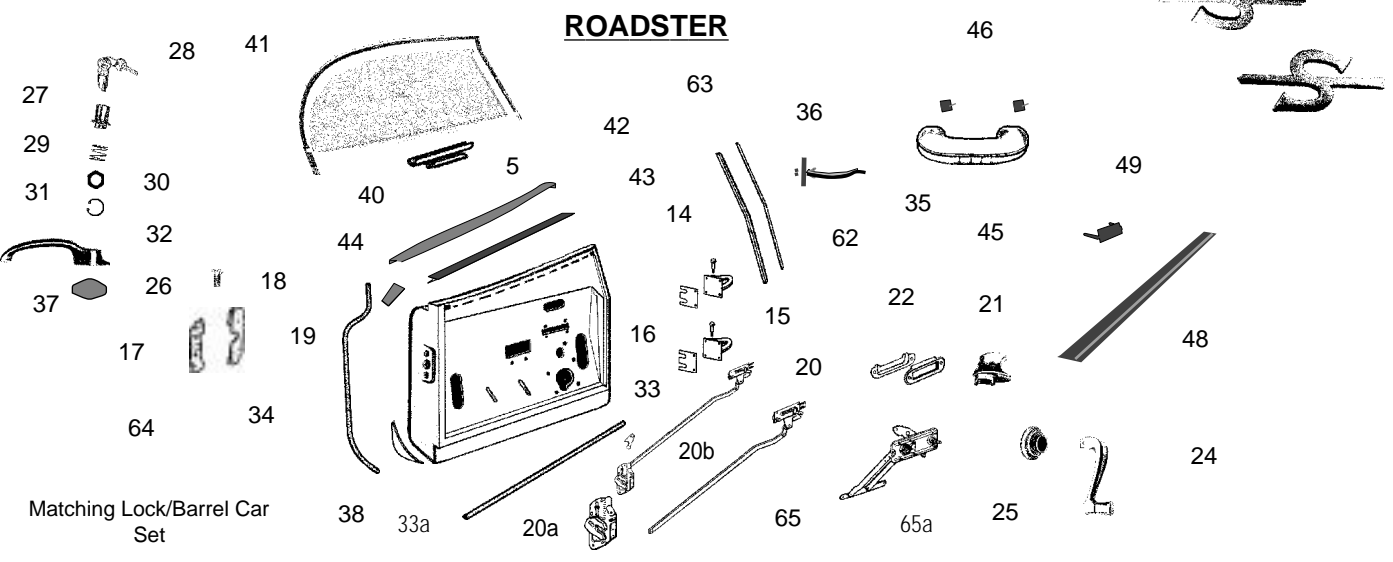
| PART # | DESCRIPTION   | QTY REQ. | REMARKS                |
|--------|---|----------|------------------------|
| 1      | BD14236 Roadster hoodframe only                         | 1        | Roadster               |
| 2      | RHB3 Bar holding rear of hood to tonneau panel          | 1        | Roadster               |
| 3      | BD3241 "Teardrop" locating RHB3 bar to body             | 2        | Roadster               |
| 4      | BD14376 Pivot bolt for hood frame to body               | 2        | Roadster               |
| 4a     | BD14704 Washer for hood pivot bolt                      | 2        | Roadster               |
| 5      | BD14576/7 Front hood closing clamps (2 pieces)          | Pair     | Roadster               |
| 5a     | BD14939 Receivers only for OTS hoodclamps               | 2        | Roadster               |
| 6      | BD15074 Chrome bead on rear of hood                     | 1        | Roadster               |
| 7      | BD15309 Strap holding hood when folded                  | 2        | Roadster               |
| 8      | BD14964 Hinged rail for forward fixing of tonneau cover | 1        | Roadster               |
| 9      | BD16244 DHC hoodframe only                              | 1        | DHC                    |
| 10     | BD13402 Early front hoodclamp                           | 2        | DHC - (3-hole fitting) |
| 10a    | BD16134 Late front hoodclamp                            | 2        | DHC - (4-hole fitting) |
| 11     | BD6799 Hook for hoodclamps                              | 2        | DHC                    |
| 12     | BD13405 Serrated mounting plate for hooks               | 2        | DHC                    |
| 13     | BD13415 Chrome gutter finisher on cantrail - L/hand     | 1        | DHC                    |
|        | BD13416 Chrome gutter finisher on cantrail - R/hand     | 1        | DHC                    |
| 14     | BD13419 Aluminium backing to hold BD13415 - L/hand      | 1        | DHC                    |
|        | BD13420 Aluminium backing to hold BD13416 - R/hand      | 1        | DHC                    |
| 15     | BD16041 Clamp holding hood when folded - L/hand         | 1        | DHC                    |
|        | BD16042 Clamp holding hood when folded - R/hand         | 1        | DHC                    |
| 15a    | BD10578 Keeper for BD10641/2 when not in use            | 2        | DHC                    |
| 16     | BD8052/2 Shim spacing hoodframe from body - 2mm thick   | As req   | DHC                    |
| 17     | BD13462/5 Set of lower hood beads (4 pieces)            | Set      | DHC (Unchromed)        |
| 18     | BD13461 Rear, upper hood bead                           | 1        | DHC (Unchromed)        |
| 19     | BD14049 Interior lamp assembly                          | 1        | DHC/FHC                |
| 20     | HWS3 Complete set of hoodframe woods (Inc. TTS)         | Set      | DHC (20 pieces)        |
| 21     | TTS Set of tacking woods attaching tonneau              | Set      | DHC (3 pieces)         |
| 22     | HWP2 Front wooden bow for roadster hood                 | 1        | Roadster               |
| 23     | BD9031 Hood springs for drop head coupé                 | 2        | DHC                    |
| 24     | BPC150 Chrome closing plates for hood pillars           | Set      | DHC (6 pieces)         |



**DROPHEAD COUPÉ**

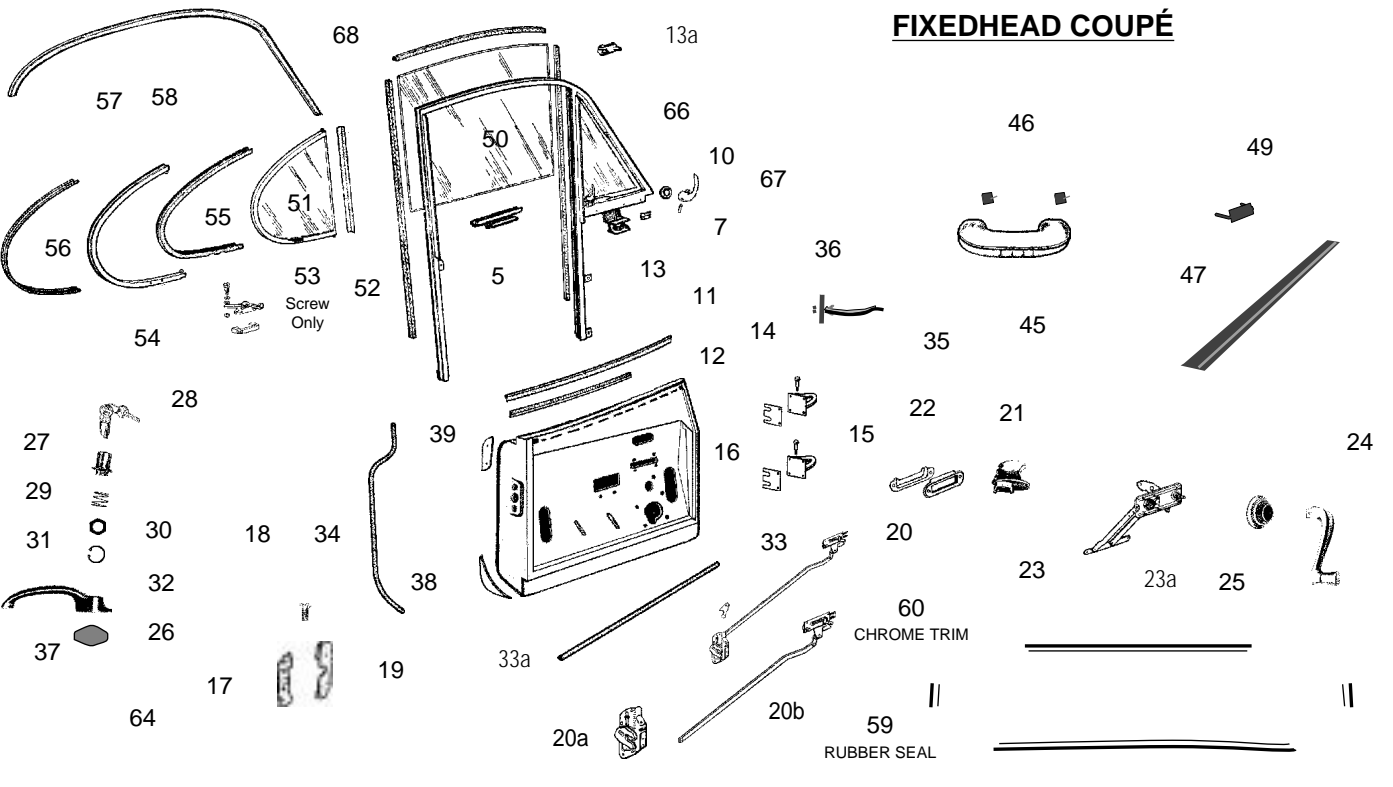
Matching Lock/Barrel Car Set

BD16823/4  
All 'S' Models



**ROADSTER**

Matching Lock/Barrel Car Set



**FIXEDHEAD COUPÉ**

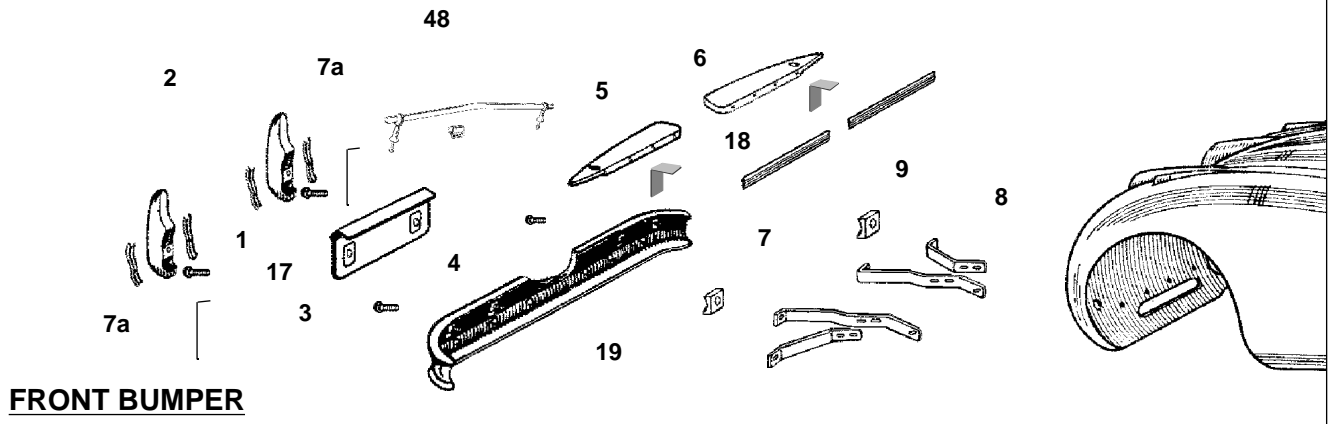
Matching Lock/Barrel Car Set

60 CHROME TRIM

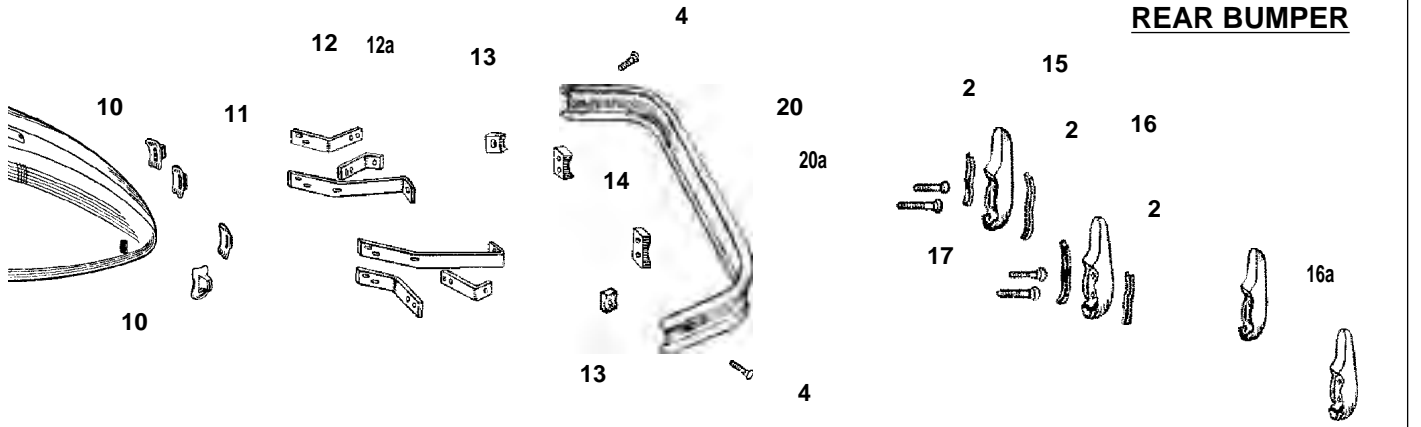
59 RUBBER SEAL

**FIG. 18**

|     | <b>PART #</b> | <b>DESCRIPTION</b>   | <b>QTY REQ.</b> | <b>REMARKS</b>                              |
|-----|---------------|--|-----------------|---|
| 1   | BD4814        | Rubber seals on cantrails & hood (per foot)                  | 6ft.            | DHC   |
| 2   | BD13543C      | Chrome frame around drop glass - <b>L/hand side</b>          | 1               | DHC (Glass <u>not</u> included)             |
|     | BD13543C      | Chrome frame around drop glass - <b>R/hand side</b>          | 1               | DHC (Glass <u>not</u> included)             |
| 3   | BD13537       | Guide for rear of door window - <b>L/hand</b>                | 1               | DHC - Chromed                               |
|     | BD13538       | Guide for rear of door window - <b>R/hand</b>                | 1               | DHC - Chromed                               |
| 4   | DG150DH       | Door window glass only - <b>DHC</b>                          | 2               | DHC (frame <u>not</u> included)             |
| 5   | BD9126        | Window lift channel  | 2               | ALL models - <u>not</u> handed              |
| 6   | BD13530       | Quarter light frames (inner & outer) - <b>L/hand</b>         | 1               | DHC - (Glass/seals <u>not</u> included)     |
|     | BD13531       | Quarter light frames (inner & outer) - <b>R/hand</b>         | 1               | DHC - (Glass/seals <u>not</u> included)     |
| 7   | BD3991        | Striker plate for 1/4 light locking handles                  | 2               | DHC/FHC                                     |
| 8   | BD5082        | Felt for door window glass (per 3 ft.)                       | 2 X 3ft         | DHC   |
| 9   | QLGD150       | Front quarter light (NDV) <b>glass only</b>                  | 2               | DHC   |
| 10  | QLS100        | Quarter light (NDV) seal kit                                 | Car set         | All models                                  |
| 11  | BD10303/2     | Door top weather strips                                      | 4               | All models                                  |
| 12  | BD8598D       | Door top piping  | 2               | DHC/FHC                                     |
| 13  | BD13151       | Front 1/4 light pivot assembly                               | 2               | DHC/FHC                                     |
| 13a | BD3803        | Front 1/4 light upper pivot (hinge) - <b>L/hand</b>          | 1               | DHC/FHC                                     |
|     | BD3804        | Front 1/4 light upper pivot (hinge) - <b>R/hand</b>          | 1               | DHC/FHC                                     |
| 14  | BD4156K       | Door hinge pin & bush set                                    | Set             | Kit of 4 pins/4 bushes                      |
| 15  | BD15570       | Door hinge swing arm   | 4               | All models                                  |
| 16  | BD16155/1     | Door hinge shim - 0.036"                                     | -               | As required                                 |
| 17  | BD13800       | Striker for door on 'B' post - <b>L/hand</b>                 | 1               | All models                                  |
|     | BD13801       | Striker for door on 'B' post - <b>R/hand</b>                 | 1               | All models                                  |
| 18  | BD14670/2     | Screws holding striker to 'B' post                           | 4               | All models                                  |
| 19  | BD13802       | Striker plate fitted to door - <b>L/hand</b>                 | 1               | All models                                  |
|     | BD13803       | Striker plate fitted to door - <b>R/hand</b>                 | 1               | All models                                  |
| 20  | BD10234       | Door lock mechanism (incl. remote) - <b>L/hand</b>           | 1               | All models                                  |
|     | BD10235       | Door lock mechanism (incl. remote) - <b>R/hand</b>           | 1               | All models                                  |
| 20a | BD10234C      | Door lock catch <b>only</b> - L/hand                         | 1               | All models                                  |
|     | BD10235C      | Door lock catch <b>only</b> - R/hand                         | 1               | All models                                  |
| 21  | BD8963        | Interior door lock slide knob - <b>L/hand</b>                | 1               | All models                                  |
|     | BD8964        | Interior door lock slide knob - <b>R/hand</b>                | 1               | All models                                  |
| 22  | BD9263/4      | Double chrome escutcheon for slide knobs                     | 2               | All models                                  |
| 23  | BD10092       | Window regulator mechanism - <b>L/hand</b>                   | 1               | DHC/FHC                                     |
|     | BD10093       | Window regulator mechanism - <b>R/hand</b>                   | 1               | DHC/FHC                                     |
| 23a | WRRK2         | Repair kit for DHC/FHC window regulator                      | 2               | All parts to service regulator              |
| 24  | BD2233        | Handle for window regulator                                  | 2               | All models                                  |
| 25  | BD552/1       | Sprung escutcheon for window winder handle                   | 2               | All models                                  |
| 26  | BD10614       | Exterior door handle - ( <b>left &amp; right hand same</b> ) | 2               | All models                                  |
| 27  | 12/0326       | Button only for door handle ( <b>Chrome casing only</b> )    | 2               | All models                                  |
| 28  | 3/05155       | Lock barrel/key for door button                              | 2               | All models                                  |
| 29  | DBS           | Door button return spring                                    | 2               | All models                                  |
| 30  | HW1           | Hexagonal washer for door button                             | 2               | All models                                  |
| 31  | DBC           | Circlip in door button                                       | 2               | All models                                  |
| 32  | DLP1          | Door button actuator (striker)                               | 2               | All models                                  |
| 33  | BD2045        | Body seal to sill (per foot)                                 | 6ft.            | All models                                  |
| 33a | BD10158       | Seal retaining channel on sill                               | 2               | All models                                  |
| 34  | BD2159        | Body seal on shut-face (per foot)                            | 6ft.            | All models                                  |
| 35  | BD14923       | Door check 'strap'   | 2               | All models                                  |
| 36  | BD14933       | Clevis pin for door check strap to body                      | 2               | All models                                  |
| 37  | DHS           | Seals for door handles to door (for 2 handles)               | Set             | All models                                  |
| 38  | BD13137       | Seal plate at bottom of door                                 | 2               | All models                                  |
| 39  | BD14009/10    | Seal plate at top of door                                    | Pair            | DHC/FHC                                     |
| 40  | DG150R        | Door window glass only - <b>Roadster</b>                     | 2               | Roadster ( <b>frame not included</b> )      |
| 41  | BD15063C      | Chrome frame only for door glass - <b>Roadster</b>           | 2               | Roadster ( <b>Glass not included</b> )      |
| 42  | BD14952       | Chrome capping on top of door - <b>L/hand</b>                | 1               | Roadster                                    |
|     | BD14953       | Chrome capping on top of door - <b>R/hand</b>                | 1               | Roadster                                    |
| 43  | BD14971/1     | Seal from door top to glass                                  | 2               | Roadster                                    |
| 44  | BD15433/4     | Chrome plates at top of door to 'B' post                     | Pair            | Roadster - (Chromed)                        |
| 45  | BD14958       | Armrest on door casing - <b>untrimmed</b>                    | 2               | All models                                  |
| 46  | BD14900       | Special nut holding armrest                                  | 4               | All models                                  |
| 47  | BD13818       | Doorcase chrome trim   | 2               | DHC/FHC (29.1/2" long)                      |
| 48  | BD14761/2     | Doorcase chrome trim   | Pair            | Roadster (26" long)                         |
| 49  | BD11546       | Clip - doorcase trim to door casing                          | 10              | All models                                  |
| 50  | DG150FH       | Door window glass only - <b>FHC</b>                          | 2               | FHC   |
| 51  | BD12567G      | Glass only for rear 1/4 lights                               | 2               | FHC   |
| 52  | BD11030       | Seal door to rear 1/4 light - 16" long                       | 2               | FHC   |
| 53  | 841           | Special screw for rear 1/4 light catch                       | 2               | FHC   |
| 54  | BD2393        | Rear 1/4 light catch - <b>L/hand</b>                         | 1               | FHC   |
|     | BD2394        | Rear 1/4 light catch - <b>R/hand</b>                         | 1               | FHC   |
| 55  | BD12577       | Seal between inner & outer rear 1/4 light frames             | 2               | FHC   |
| 56  | BD8598Q       | Piping between rear 1/4 light & body                         | 2               | FHC   |
| 57  | BD13286       | Chrome trim for roof gutter - <b>L/hand</b>                  | 1               | FHC   |
|     | BD13287       | Chrome trim for roof gutter - <b>R/hand</b>                  | 1               | FHC   |
| 58  | BD13135       | Aluminium mounting channel for chrome trim - <b>L/hand</b>   | 1               | FHC   |
|     | BD13136       | Aluminium mounting channel for chrome trim - <b>R/hand</b>   | 1               | FHC   |
| 59  | BD14937       | Rubber seal for rear screen                                  | 1               | FHC   |
| 60  | BD12616       | Chrome finisher (trim) for rear screen                       | 1               | FHC   |
| 61  | BD5366        | Chrome connector piece for BD12616                           | 1               | FHC   |
| 62  | BD2045        | Body seal between door & hinge panel (per foot)              | 5ft.            | Roadster                                    |
| 63  | BD16106/7     | Pair of channels holding seal to door                        | Pair            | Roadster                                    |
| 64  | 9/01304       | Lock barrel set with matching keys                           | Set             | All models (doors, boot, ignition & petrol) |
| 65  | BD14547       | Window regulator - <b>Roadster - L/hand</b>                  | 1               | When available                              |
|     | BD14548       | Window regulator - <b>Roadster - R/hand</b>                  | 1               | When available                              |
| 65a | WRRK1         | Repair kit for window regulator - <b>Roadster</b>            | 2               | All parts to service regulator              |
| 66  | BD12563G      | Front 1/4 light (NDV) <b>glass only</b>                      | 2               | FHC ( <b>frame not included</b> )           |
| 67  | BD3981        | 1/4 light locking handle - <b>L/hand</b>                     | 1               | DHC/FHC                                     |
|     | BD3982        | 1/4 light locking handle - <b>R/hand</b>                     | 1               | DHC/FHC                                     |
| 68  | BD5082        | Felt for door window glass (per 3ft)                         | 6               | FHC (6 x 3ft lengths)                       |

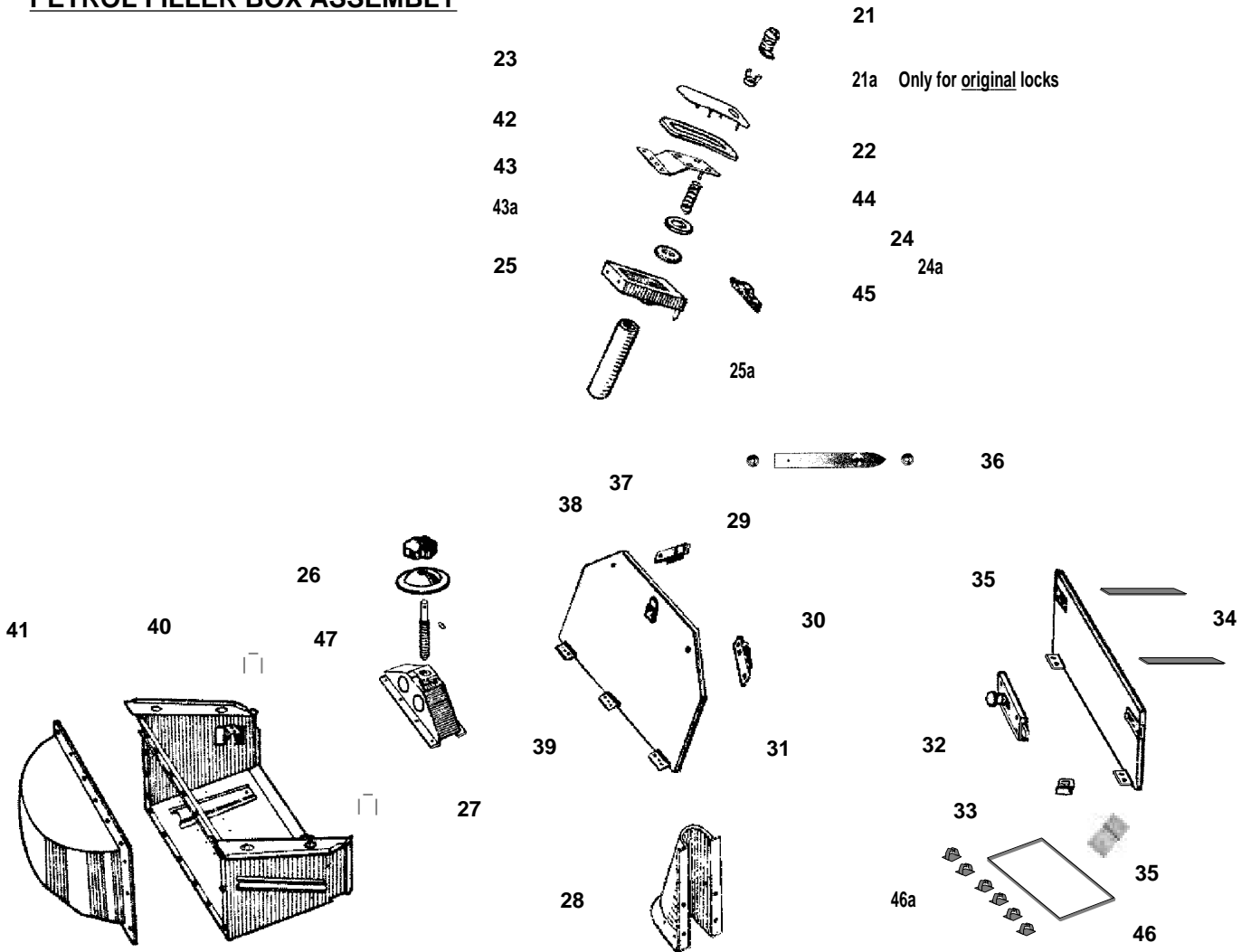


**FRONT BUMPER**



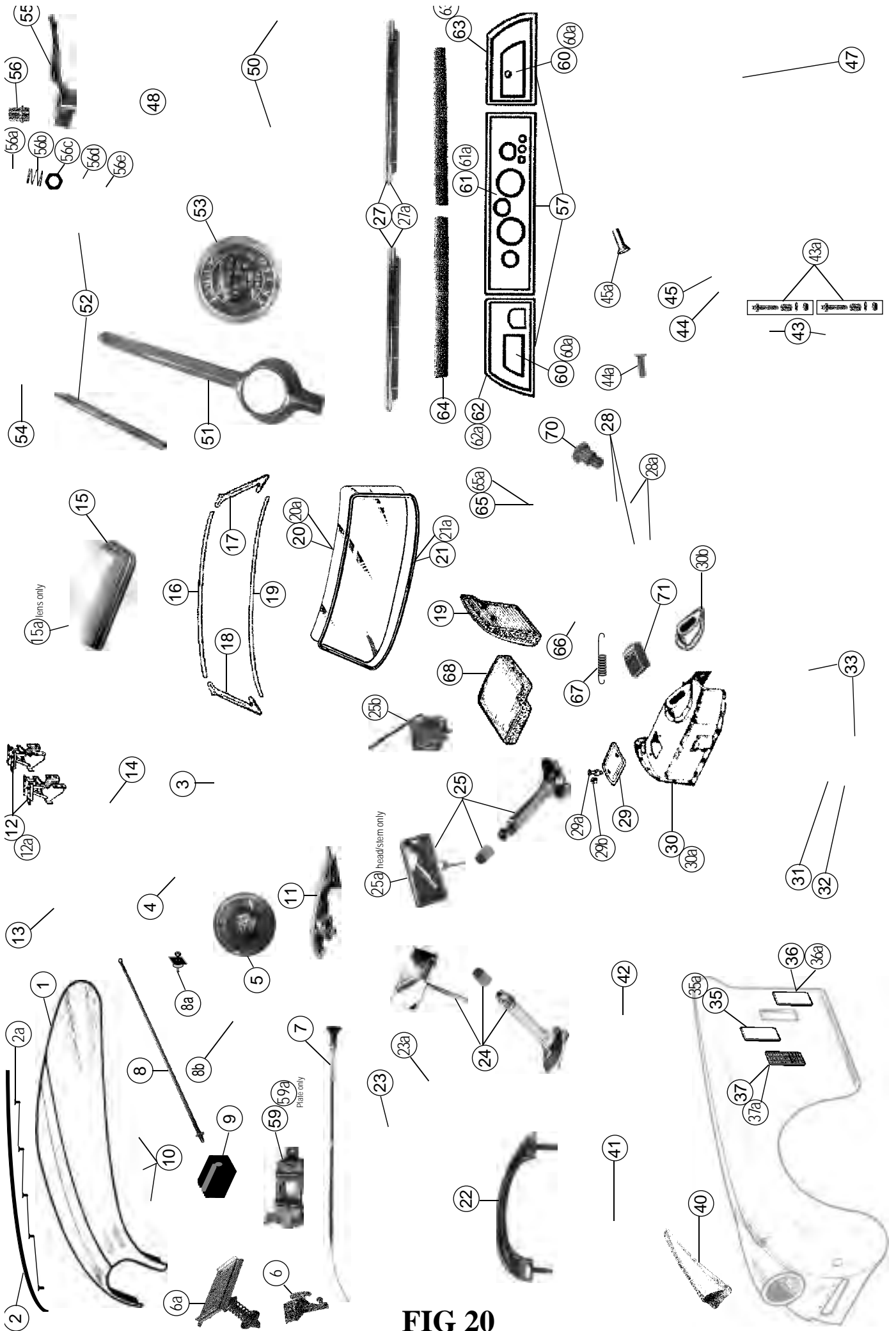
**REAR BUMPER**

**PETROL FILLER BOX ASSEMBLY**



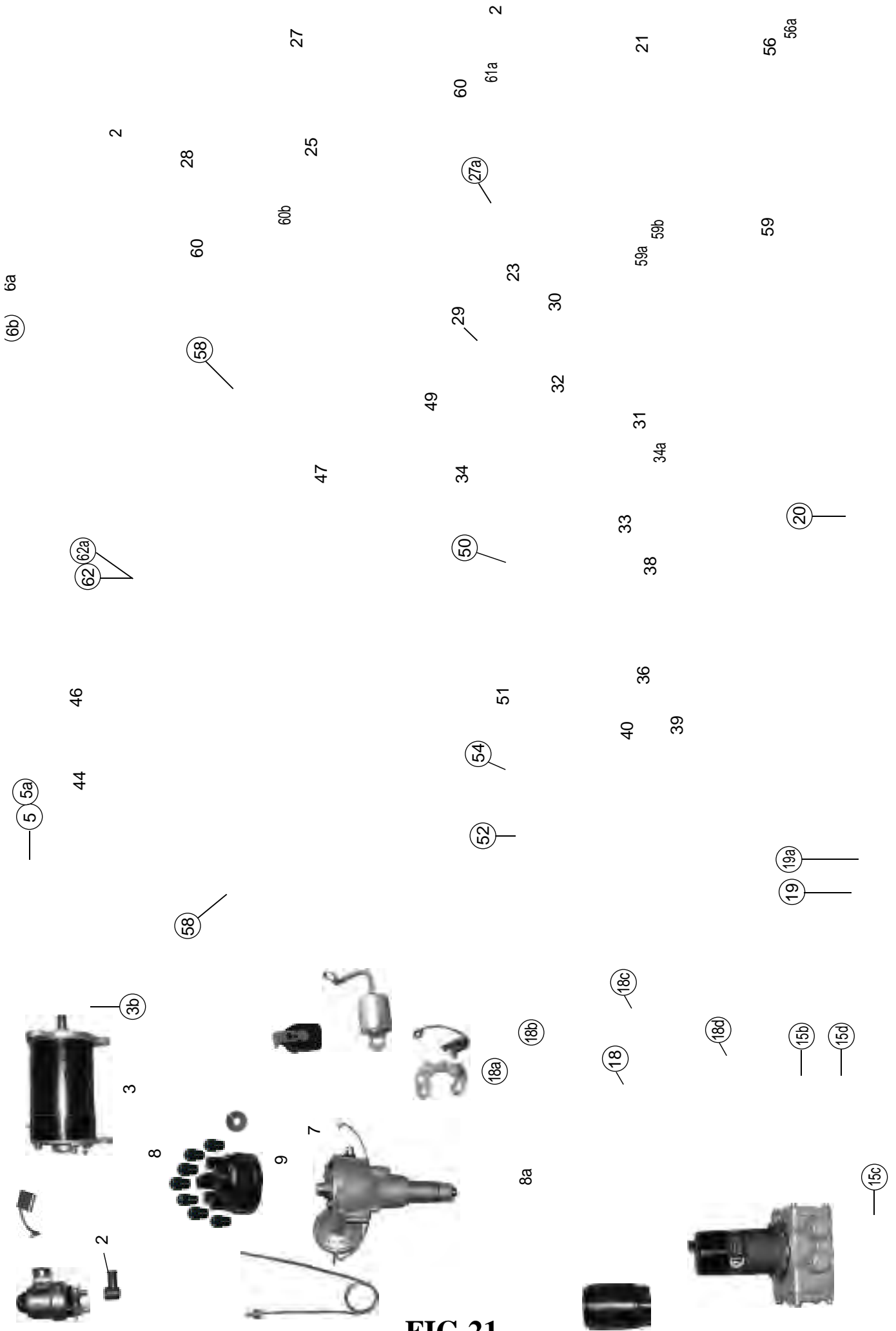
**FIG. 19**

|     | <b>Part #</b> | <b>Description</b>                                      | <b>QTY REQ.</b> | <b>Remarks</b>                    |
|-----|---------------|---|-----------------|-----------------------------------|
| 1   | C9756         | Front over riders                                       | 2               | Chromed                           |
| 2   | 209           | Beading between over riders and bumpers                 | 8               | Front & rear the same             |
| 3   | BD10982       | Mounting panel for front number plate                   | 1               | All models                        |
| 4   | BD9871        | Bumper bolt - chromed                                   | 4               | (2 front - 2 rear)                |
| 5   | BD14838       | Plinth behind front bumper - <b>L/hand</b>              | 1               |                                   |
| 6   | BD14839       | Plinth behind front bumper - <b>R/hand</b>              | 1               |                                   |
| 7   | BD9874        | Spacer between front bumper and outer irons             | 2               | With 1 hole                       |
| 7a  | BD9872        | Spacer between front bumper and over rider              | 2               |                                   |
| 8   | BIS140F       | Bumper iron set - <b>front</b>                          | Set             | 4 piece set                       |
| 9   | BD8598V       | Piping between front plinths and body                   | 2               |                                   |
| 10  | BD10330       | Rear bumper iron grommets - <b>in wings</b>             | 2               |                                   |
| 11  | BD10331       | Rear bumper iron grommets - <b>in tonneau</b>           | 2               |                                   |
| 12  | BIS140R       | Bumper iron set - <b>rear</b>                           | Set             | 6 piece set                       |
| 12a | BIS150RL      | Bumper iron set - <b>rear (Late cars)</b>               | Set             | 6 piece set                       |
| 13  | C8344         | Spacers between rear bumper & outer irons               | 2               | With one hole                     |
| 14  | C8347         | Spacers between rear bumper & inner irons               | 2               | With two holes                    |
| 15  | C8346         | Rear over riders <b>R/hand</b>                          | 1               | Early cars with 34.1/2" centres   |
| 16  | C9689         | Rear over riders <b>L/hand</b>                          | 1               | Early cars with 34.1/2" centres   |
| 16a | BD15591-2     | Rear over riders - <b>Late cars</b>                     | 2               | 27.1/4" centres on bumper         |
| 17  | C8348         | Coach bolt/nut for over riders                          | 6               | (2 front - 4 rear)                |
| 18  | BD9292        | "L" shaped brackets - plinth to front bumper            | 4               |                                   |
| 19  | BD12945       | Front bumper blade                                      | 1               |                                   |
| 20  | BD12948       | Rear bumper blade - <b>Early cars</b>                   | 1               | <u>O/rider centres = 34.1/2"</u>  |
| 20a | BD15601       | Rear bumper blade - <b>Late cars</b>                    | 1               | <u>O/rider centres = 27.1/4"</u>  |
| 21  | BD4360        | Petrol filler lock assembly - fixes on with nut         | 1               |                                   |
| 21a | BD8071        | Clip to hold <b>original only</b> petrol lock           | 1               | <b>Not required with new lock</b> |
| 22  | BD4354        | Seal around petrol filler lid                           | 1               |                                   |
| 23  | BD4357        | Petrol filler lid                                       | 1               | <b>Early cars</b>                 |
| 24  | BD3189        | Seal on petrol filler cap (round flat type)             | 1               | <b>Early cars</b>                 |
| 24a | BD8076        | Seal on petrol filler cap (large dome type)             | 1               | <b>Late cars</b>                  |
| 25  | BD9397        | Petrol filler box only                                  | 1               | <b>Early cars</b>                 |
| 25a | BD4368        | Petrol filler hose                                      | 1               |                                   |
| 26  | BD9583        | Spare wheel clamp                                       | 1               | All cars with wire wheels         |
| 27  | BD9579        | Bracket assembly for spare wheel mount                  | 1               | BD9583 screws into this           |
| 28  | BD9625        | Cover plate over petrol filler hose                     | 1               |                                   |
| 29  | BD2122        | Budget lock for spare wheel cover board - <b>R/hand</b> | 1               |                                   |
| 30  | BD2121        | Budget lock for spare wheel cover board - <b>L/hand</b> | 1               |                                   |
| 31  | BD14129       | Spare wheel cover board                                 | 1               | Clad in aluminium                 |
| 32  | BD9395        | Sliding catch bolt for rear bulkhead board              | 2               | Chromed                           |
| 33  | BD9912        | Striker plates (keepers) for BD9395 catches             | 2               |                                   |
| 34  | BD13884       | Straps for hinged rear bulkhead board                   | Pair            | Sold in pairs only                |
| 35  | BD9441        | Hinges for rear bulkhead board                          | 2               |                                   |
| 36  | BD13974       | Strap kit to hold spare wheel cover board open          | Kit             | Strap and press studs             |
| 37  | BD6250        | Leather tab to lift spare wheel cover board             | 1               |                                   |
| 38  | BD3556        | Chromed plate holding BD6250 to board                   | 1               |                                   |
| 39  | BD9374        | Hinges for spare wheel cover board                      | 3               |                                   |
| 40  | BD9326        | Spare wheel tray  | 1               |                                   |
| 41  | BD9336        | Extension for spare wheel tray                          | 1               |                                   |
| 42  | BD4358        | Hinge and plate for petrol filler lid                   | 1               | <b>Early cars</b>                 |
| 43  | BD3699        | Cap to hold BD3189 petrol seal                          | 1               | <b>Early cars</b>                 |
| 43a | BD8082        | Cap to hold BD8076 petrol seal                          | 1               | <b>Late cars</b>                  |
| 44  | BD4394        | Spring for petrol filler cap                            | 1               |                                   |
| 45  | BD4353        | Striker for petrol filler lid                           | 1               | <b>Early cars</b>                 |
| 46  | BD9347/1      | Inspection panel in boot (above rear axle)              | 1               |                                   |
| 46a | BD8483        | Spire nuts for BD 9347/1 panel                          | 12              |                                   |
| 47  | BD9432        | 'U' bolts for boot lock wheels                          | 2               |                                   |
| 48  | BBAR          | Badge bar - cranked                                     | 1               | Chromed (incl. badge clips)       |



**FIG 20**

|     | PART #    | DESCRIPTION  | QTY REQ.  | REMARKS                          |
|-----|-----------|--|-----------|----------------------------------|
| 1   | BON150DF  | DHC/FHC bonnet - restored original                           | 1         | DHC/FHC                          |
| 1a  | BON150R   | Roadster bonnet - restored original                          | 1         | Roadster                         |
| 2   | BD14447   | Bonnet centre chrome   | 1         | All models                       |
| 2a  | BD9848    | Fixing bolts/nuts for bonnet chrome                          | -         | 9-FHC/DHC - 10-Roadster          |
| 3   | BD13022   | Radiator grille  | 1         | All models                       |
| 4   | BD15390   | Bonnet badge holder  | 1         | All models                       |
| 5   | BD12496   | Bonnet badge   | 1         | All models                       |
| 6   | BD13203   | Bonnet safety catch hook assembly                            | 1         | All models                       |
| 6a  | BD12842   | Bonnet catch peg assembly                                    | 1         | Peg, spring, cup & baseplate     |
| 6b  | BD12842PS | Peg/spring assembly only for bonnet                          | 1         | Peg, spring & cup                |
| 7   | BD2954    | Bonnet release cable   | 1         | All models                       |
| 8   | BD13743   | Bonnet prop (supports bonnet when open)                      | 1         |                                  |
| 8a  | BD9103A   | Pivot mounting assembly for prop.                            | 1         | Fits to wing valance             |
| 8b  | BD13323/4 | Receiver plate assembly for prop                             | 1         | Fits to bonnet                   |
| 9   | BD14943   | Bonnet prop retainer   | 1         | All models                       |
| 9a  | BD14943A  | Bracket holding bonnet prop retainer                         | 1         |                                  |
| 10  | BD4616    | Rubber buffers around bonnet                                 | 10        | All models                       |
| 11  | BD10954   | 'Leaping cat' bonnet mascot                                  | 1         | Optional extra                   |
| 12  | BD12750   | Bonnet hinge - DHC/FHC - <b>Early cars</b>                   | 2         | Not handed                       |
| 12a | BD14882   | Bonnet hinge - DHC/FHC - <b>Late cars</b>                    | 2         | Not handed                       |
| 13  | BD14446   | Bonnet hinge - Roadster - <b>R/hand</b>                      | 1         | Roadster only                    |
| 14  | BD15340   | Bonnet hinge - Roadster - <b>L/hand</b>                      | 1         | Roadster only                    |
| 15  | BD14049   | Interior light assembly                                      | 1         | DHC/FHC                          |
| 15a | BD14049/1 | <b>Lens only</b> for interior light                          | 1         | DHC/FHC                          |
| 16  | BD13131   | Chrome finisher top of windscreen - <b>DHC/FHC</b>           | 1         | DHC/FHC                          |
|     | BD14018   | Chrome finisher top of windscreen - <b>Roadster</b>          | 1         | Roadster only                    |
| 17  | BD13134   | Chrome finisher R/hand side of windscreen - <b>DHC/FHC</b>   | 1         | DHC/FHC                          |
|     | BD13786   | Chrome finisher R/hand side of windscreen - <b>Roadster</b>  | 1         | Roadster only                    |
| 18  | BD13133   | Chrome finisher L/hand side of windscreen - <b>DHC/FHC</b>   | 1         | DHC/FHC                          |
|     | BD13785   | Chrome finisher L/hand side of windscreen - <b>Roadster</b>  | 1         | Roadster only                    |
| 19  | BD13132   | Chrome finisher bottom of windscreen - <b>All models</b>     | 1         | All models                       |
| 20  | BD13051   | Windscreen glass - <b>clear</b> - *CUSTOMER COLLECTS*        | 1         | All models                       |
| 20a | BD19038   | Windscreen glass - <b>tinted</b> - *CUSTOMER COLLECTS*       | 1         | All models                       |
| 21  | BD13129   | Windscreen seal  | 1         | All models                       |
| 21a | BD13130   | Windscreen seal locking insert                               | 1 x 11ft. | All models                       |
| 22  | BD13548   | Grab handle on dashboard                                     | 1         |                                  |
| 23  | BD14958   | Door armrest kit - <b>untrimmed</b>                          | 2         |                                  |
| 23a | BD14900   | Special 'bullet' nut for armrests                            | 4         |                                  |
| 24  | C10997    | Interior mirror - Non-dipping                                | 1         | DHC/Roadster - <b>Early</b>      |
| 25  | C14920    | Interior mirror - Dipping                                    | 1         | DHC/Roadster - <b>Late</b>       |
| 25a | C14920/2  | Mirror head and stem only - Dipping                          | 1         | DHC/Roadster - <b>Late</b>       |
| 25b | C14900/2  | Mirror head and stem only - Dipping                          | 1         | FHC only - <b>Late</b>           |
| 27  | BD6429    | Demister chrome vents - <b>Early cars</b>                    | 2         | Chromed                          |
| 27a | DMV       | Demister vent outlets - <b>Late cars</b>                     | 2         | Bare steel (to be trimmed)       |
| 28  | BD8816/7S | Seat runners - per seat set                                  | 2 sets    | 1 plain, 1 slotted per set       |
| 28a | BD6244    | Tapping plates for seat runners                              | 4         |                                  |
| 29  | BD8279    | Inspection plate on gearbox cover                            | 1         | To check gearbox oil level       |
| 29a | BD1288/1S | Set of fastenings for BD8279 cover                           | Set       | All male/female parts            |
| 29b | BD1288/1  | Fastener stud only for BD8279 cover                          | 2         |                                  |
| 30  | BD15360   | Gearbox cover assembly - <b>in steel</b>                     | 1         | Manual cars                      |
| 30a | BD15360F  | Gearbox cover assembly - <b>in fibreglass</b>                | 1         | Manual cars                      |
| 30b | TUR150    | Turret on gearbox cover - <b>in fibreglass</b>               | 1         | Manual cars                      |
| 31  | BD3037    | Jack hole cover plate  | 2         | For access to jacking points     |
| 32  | BD9415    | Plate around jack hole cover                                 | 2         | Screws to floorboard             |
| 33  | BD12998/9 | Pair of floorboards (left & right)                           | Pair      | Sold in pairs only - All models  |
| 35  | BD5190    | Seal for wing vent door - <b>Early</b>                       | 2         | <b>Early cars</b> (flat section) |
| 35a | BD16091   | Seal for wing vent door - <b>Late</b>                        | 2         | <b>Late cars</b> ('L' section)   |
| 36  | BD5188    | Door for wing vent - <b>Early</b>                            | 2         | <b>Early cars</b>                |
| 36a | BD14724   | Door for wing vent - <b>Late</b>                             | 2         | <b>Late cars</b>                 |
| 37  | BD5189    | Gauze screen for wing vent - <b>Early</b>                    | 2         | <b>Early cars</b> - flat         |
| 37a | BD14667   | Gauze screen for wing vent - <b>Late</b>                     | 2         | <b>Late cars</b> - curved        |
| 40  | SID150    | Sidelight housing - weld-on                                  | 2         |                                  |
| 41  | BD2561    | Headlight spear - fits on headlamp pod                       | 2         |                                  |
| 42  | WX1905    | Wing mirror - Right hand                                     | 1         | Flat glass                       |
|     | WX1906    | Wing mirror - Left hand                                      | 1         | Flat glass                       |
| 43  | BD15570   | Door hinge arm   | 4         |                                  |
| 43a | BD4156K   | Door hinge pin & bush kit                                    | Kit       | Contains 4 pins and bushes       |
| 44  | BD13802   | Striker plate on door - <b>Left hand</b>                     | 1         | All models                       |
|     | BD13803   | Striker plate on door - <b>Right hand</b>                    | 1         | All models                       |
| 44a | NS519/4H  | Screw for striker plate on door                              | 6         | All models                       |
| 45  | BD13800   | Striker assembly on 'B' post - <b>Left hand</b>              | 1         | All models                       |
|     | BD13801   | Striker assembly on 'B' post - <b>Right hand</b>             | 1         | All models                       |
| 45a | BD14670/2 | Screw for striker on 'B' post                                | 4         | All models                       |
| 47  | BD7770    | Copper wing arch finisher                                    | 2         | Wire wheeled cars                |
| 48  | BD14907   | Boot lid - please enquire                                    | 1         |                                  |
| 50  | BD16245   | Boot hinge - <b>Left hand</b>                                | 1         | Late cars (spring assisted)      |
|     | BD16246   | Boot hinge - <b>Right hand</b>                               | 1         | Late cars (spring assisted)      |
| 51  | BD12984   | Boot badge holder  | 1         |                                  |
| 52  | BD14908   | Chrome trim for numberplate housing - <b>Later cars</b>      | 2         |                                  |
|     | 14/0860   | Chrome trim for numberplate housing - <b>Very early cars</b> | Pair      | Sold in pairs only               |
| 53  | BD14343   | 'Le Mans' boot badge   | 1         |                                  |
| 54  | 5308      | Number plate/reverse lamp housing                            | 1         |                                  |
| 55  | BD15590   | Boot handle only   | 1         |                                  |
| 56  | 12/0327   | Boot lock barrel casing (button) only - chromed              | 1         | Excludes key barrel              |
| 56a | 3/05155   | Locking barrel with key                                      | 1         |                                  |
| 56b | DBS       | Spring for button return                                     | 1         |                                  |
| 56c | HW1       | Hexagonal washer for button                                  | 1         |                                  |
| 56d | DBC       | Circlip for button   | 1         |                                  |
| 56e | BLP1      | Striker (actuator) for button                                | 1         |                                  |
| 57  | BD13826   | Chrome finisher on instrument board                          | 1         | <b>Early - No radio</b>          |
|     | BD15755   | Chrome finisher on instrument board                          | 1         | <b>Late - No radio</b>           |
|     | BD13792   | Chrome finisher <b>L/hand</b> side of instrument board       | 1         | <b>Early - With Radio</b>        |
|     | BD15536   | Chrome finisher <b>L/hand</b> side of instrument board       | 1         | <b>Late - With Radio</b>         |
|     | BD13793   | Chrome finisher <b>R/hand</b> side of instrument board       | 1         | <b>Early - With Radio</b>        |
|     | BD15537   | Chrome finisher <b>R/hand</b> side of instrument board       | 1         | <b>Late - With Radio</b>         |
|     | BD13750   | Chrome finisher top of <b>L/hand</b> facia                   | 1         |                                  |
|     | BD13751   | Chrome finisher top of <b>R/hand</b> facia                   | 1         |                                  |
|     | BD13797   | Chrome finisher below steering column                        | 1         |                                  |
|     | BD13796   | Chrome finisher next to grab handle                          | 1         |                                  |
| 57a | BD4919/15 | Special bolt for dashboard chromes                           | As req.   |                                  |
| 58  | BD542/3   | Oval washer for wings etc.                                   | As req.   |                                  |
| 59  | BCA150    | Bonnet release catch assembly                                | 1         | Includes BD12852                 |
| 59a | BD12852   | Striker plate only for bonnet release catch                  | 1         |                                  |
| 60  | CB3R      | Pair of cubby boxes for <b>R/H/D cars</b>                    | Pair      | Sold in pairs only               |
| 60a | CB3L      | Pair of cubby boxes for <b>L/H/D cars</b>                    | Pair      | Sold in pairs only               |
| 61  | BD13574   | Wooden dash panel - <b>Early cars</b>                        | 1         | Untrimmed - bare wood            |
| 61a | BD15762   | Wooden dash panel - <b>Late cars</b>                         | 1         | Untrimmed - bare wood            |
| 62  | BD13579   | Facia wood for L/hand side of dashboard                      | 1         | <b>R/H/D cars</b>                |
| 62a | BD13576   | Facia wood for L/hand side of dashboard                      | 1         | <b>L/H/D cars</b>                |
| 63  | BD13580   | Facia wood for R/hand side of dashboard                      | 1         | <b>R/H/D cars</b>                |
| 63a | BD13577   | Facia wood for R/hand side of dashboard                      | 1         | <b>L/H/D cars</b>                |
| 64  | DTR2      | Dash top rolls foam - sold as pair                           | Pair      | For trimming                     |
| 65  | SFR150SF  | Roadster/FHC seat frame assembly - <b>R/hand</b>             | 1         | <b>Roadster/FHC</b>              |
|     | SFL150SF  | Roadster/FHC seat frame assembly - <b>L/hand</b>             | 1         | <b>Roadster/FHC</b>              |
| 65a | SFR150D   | DHC seat frame assembly - <b>R/hand</b>                      | 1         | <b>DHC</b>                       |
|     | SFL150D   | DHC seat frame assembly - <b>L/hand</b>                      | 1         | <b>DHC</b>                       |
| 66  | BD10970   | Seat adjusting lever - <b>R/hand</b>                         | 1         | All models                       |
|     | BD10969   | Seat adjusting lever - <b>L/hand</b>                         | 1         | All models                       |
| 67  | C3317     | Return spring for adjusting levers                           | 2         |                                  |
| 68  | SBF1      | Foam only for seat backs (squabs)                            | 2         | Untrimmed                        |
| 69  | SCF1      | Foam only for seat cushions                                  | 2         | Untrimmed                        |
| 70  | BD11073   | Pivot bolt for seat backs                                    | 4         | Chromed                          |
| 71  | BD16633   | Centre ashtray assembly                                      | 1         | <b>Late cars</b>                 |

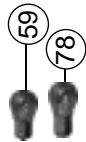


**FIG 21**



|     | PART #  | DESCRIPTION   | QTY     | REMARKS  |
|-----|---------|---|---------|--|
| 1   | C2692   | Starter solenoid  | 1       | Includes BB1                                       |
| 1a  | BB1     | Rubber boot for button only   | 1       | As original Lucas                                  |
| 2   | C4650   | Rubber boot over terminals  | -       | 2 on solenoid - 1 on starter                       |
| 3   | C5453E  | Dynamo - <b>Reconditioned</b>   | 1       | <b>Exchange unit</b>                               |
| 3a  | 2784    | Brush set for dynamo  | Pair    |  |
| 3b  | 2749    | Nut on dynamo holding pulley  | 1       |  |
| 4   | C7428   | Fan for dynamo pulley   | 1       |  |
| 5   | C7427   | Dynamo pulley - <b>Early cars</b>   | 1       | For 3/8" wide belt                                 |
| 5a  | C14590  | Dynamo pulley - <b>Late Cars</b>  | 1       | For 1/2" wide belt                                 |
| 6   | C2746E  | Starter motor - <b>Reconditioned</b>  | 1       | <b>Exchange unit</b>                               |
| 6a  | 2822    | Pinion/sleeve for starter motor   | 1       |  |
| 6b  | 2820    | Main spring for starter motor   | 1       |  |
| 6c  | 2804    | Brush set for starter motor   | Pair    |  |
| 7   |         | Distributors - <b>Reconditioned</b>   | 1       | <b>Exchange unit - Please ask</b>                  |
|     |         | <u>PLEASE GIVE NUMBER OF OLD DISTRIBUTOR IF ORDERING AN EXCHANGE UNIT</u>                           |         |  |
| 8   | 410600  | "Acorn" nut in distributor cap  | 7       |  |
| 8a  | C5452   | Brass contact washer for distributor cap  | -       | 7 on D/cap - 1 on coil                             |
| 9   | 6478    | Distributor cap   | 1       | All models   |
| 10  | 6060    | Rotor arm for distributor   | 1       | All models   |
| 11  | C2430   | Sealing ring for distributor shaft  | 1       | Cork   |
| 12  | C2581   | Vacuum pipe for advance/retard mechanism  | 1       |  |
| 13  | C11990  | Contact set for distributor   | 1       |  |
| 14  | C11991  | Condenser for distributor   | 1       |  |
| 15  | C9688E  | Petrol pump - <b>as original</b> (outright sale)  | 1       | ('S' models have 2)                                |
| 15a | AUA869  | Terminal plastic nut on petrol pump   | 1       |  |
| 15b | 6046    | Points (contact set) for petrol pump  | 1       | ('S' models have 2)                                |
| 15c | FPMK    | Mounting kit for petrol pump  | 1       | ('S' models have 2)                                |
| 15d | PPEK/P  | Contactless electronic petrol pump conversion kit   | 1       | <b>Positive earth</b>                              |
|     | PPEK/N  | Contactless electronic petrol pump conversion kit   | 1       | <b>Negative Earth</b>                              |
| 16  | C2839   | Rubber cover for petrol pump  | 1       | Keeps water/dirt out                               |
| 18  | C8749   | Coil for ignition   | 1       | With screw connections                             |
| 18a | C5451   | "Acorn" nut for top of ignition coil  | 1       | Longer than distributor nut                        |
| 18b | ACC8    | "Lucas" coil sticker  | 1       |  |
| 18c | C13327  | Mounting bracket for coil   | 1       | Std. 150   |
| 18d | C14156  | Mounting bracket for coil - <b>150 "S"</b>  | 1       | 150 "S" models                                     |
| 19  | C8303   | Speedometer cable   | 1       | <b>Non-overdrive cars</b>                          |
| 19a | C11964  | Speedometer cable   | 1       | <b>Overdrive cars</b>                              |
| 20  | C12860  | Rev-counter cable (if cable driven)   | 1       | All models   |
| 21  | C12862  | Metal platform mounting fuse boxes  | 1       |  |
| 22  | C12837  | Terminal block  | 1       |  |
| 23  | C2531   | Fuse box (four fuse type)   | 1       | Fuses <b>not</b> included                          |
| 24  | C16510  | Fuse box (two fuse type)  | 1       | Fuses <b>not</b> included                          |
| 25  | C12864  | Metal cover over fuse boxes   | 1       |  |
| 26  | FBD150  | Fuse box decal - giving fuse ratings  | 1       |  |
| 27  | C5549   | Knob securing fuse box cover  | 1       |  |
| 27a | C5550   | Stud to hold cover to fuse box  | 1       |  |
| 28  | C8221E  | Control box (voltage regulator) - <b>Reconditioned</b>  | 1       | <b>Exchange unit</b>                               |
| 29  | C11677  | Cigar lighter   | 1       |  |
| 30  | C4631   | Chrome eyelet for cigar lighter   | 1       |  |
| 31  | C4630   | Chrome eyelet for starter switch  | 1       |  |
| 32  | C5480   | Knob for starter switch   | 1       |  |
| 33  | C5465   | Chrome eyelet for ignition switch   | 1       |  |
| 34  | C5459   | Ignition switch only  | 1       | Barrel & key <b>not</b> included                   |
| 34a | BD10610 | Barrel/key for ignition switch  | 1       |  |
| 35  | C9118   | Escutcheon for road light switch - <b>with fog position</b>   | 1       | <b>Marked O/S/H/F</b>                              |
| 35a | C8165   | Escutcheon for road light switch - <b>no fog position</b>   | 1       | <b>Marked O/S/H</b>                                |
| 36  | C2761   | Chrome eyelet for road light switch   | 1       | Not required if buying escutcheon                  |
| 37  | C5481   | Lever operating light switch  | 1       |  |
| 38  | C4630   | Chrome eyelet for interior light switch   | 1       |  |
| 39  | C5485   | Knob for C4543 heater switch  | 1       |  |
| 40  | C4630   | Chrome eyelet for heater switch   | 1       |  |
| 41  | C4630   | Chrome eyelet for panel light switch  | 1       |  |
| 42  | C9646   | Knob for wiper switch   | 1       |  |
| 43  | C4630   | Chrome eyelet for wiper switch  | 1       |  |
| 44  | C12817E | Petrol gauge - <b>Reconditioned</b>   | 1       | <b>Exchange unit</b>                               |
| 45  | C14052E | Rev-counter (cable operated) - <b>Reconditioned</b>   | 1       | <b>Exchange unit</b>                               |
| 45a | C14994E | Electronic rev-counter - late cars  | 1       |  |
| 46  | C12603E | Ammeter - <b>Reconditioned</b>  | 1       | <b>Exchange unit</b>                               |
| 47  | SPE150E | Speedometer - <b>Reconditioned</b>  | 1       | <b>Exchange unit</b>                               |
|     |         | <u>REF - ABOVE PLEASE GIVE FACE NO. AND DETAILS OF CAR TO ENSURE EXCHANGE OF CORRECT INSTRUMENT</u> |         |  |
| 48  | C12605E | Oil/water gauge - <b>Reconditioned</b>  | 1       | <b>Exchange unit</b>                               |
| 49  | C5461   | Starter button switch   | 1       | Button <b>not</b> included (see #32)               |
| 50  | C9649   | Switch for interior light   | 1       | With button  |
| 51  | C5577   | Road light switch - <b>no fog position</b>  | 1       | Off/side/head                                      |
| 51a | C9117   | Road light switch - <b>with fog position</b>  | 1       | Off/side/head/fog                                  |
| 52  | C9647   | Switch for panel light  | 1       | With button  |
| 53  | C5506   | Switch for wipers   | 1       | Knob <b>not</b> included (see #42)                 |
| 54  | C4543   | Rheostat switch for heater fan  | 1       | Knob <b>not</b> included (see #39)                 |
| 55  | CL2E    | Time clock ( <b>Early cars</b> ) - <b>Reconditioned</b>   | 1       | <b>Exchange unit</b>                               |
| 55a | CL3E    | Time clock ( <b>Late cars</b> ) - <b>Reconditioned</b>  | 1       | <b>Exchange unit</b>                               |
| 56  | C13378  | Mounting platform for horn/overdrive relays   | 1       | <b>Late cars</b> with large rear lights            |
| 56a | C14443  | Mounting platform for indicator/horn/overdrive relays   | 1       | <b>Early cars</b> with small rear lights           |
| 57  | C2286   | Adjustment bracket for dynamo   | 1       |  |
| 58  | BD11043 | Thumbscrews to hold instrument panel  | 2       |  |
| 59  | C9150   | 6 volt battery  | 2       | Dry charged  |
| 59a | BCK150E | Battery cable set - <b>Early cars</b>   | 1       | <b>With round heater</b>                           |
| 59b | BCK150L | Battery cable set - <b>Late cars</b>  | 1       | <b>With square heater</b>                          |
| 60  | C16178  | Warning lamp assembly for handbrake/low level light   | 1       | <b>Late cars</b>                                   |
| 60a | 6807    | Lens only for warning lamp  | 1       | (Already comes with C16178)                        |
| 60b | C16183  | "Warning" escutcheon behind C16178 lamp   | 1       | <b>Late cars</b>                                   |
| 61  | C5638   | 35 amp glass fuse   | As req. |  |
| 61a | C13932  | 50 Amp glass fuse   | As req. |  |
| 62  | C12824  | Metal panel to mount instruments  | 1       | <b>Early cars</b> (with push switch for heater)    |
| 62a | C14181  | Metal panel to mount instruments  | 1       | <b>Late cars</b> (with rheostat switch for heater) |

46



50

51

75

76

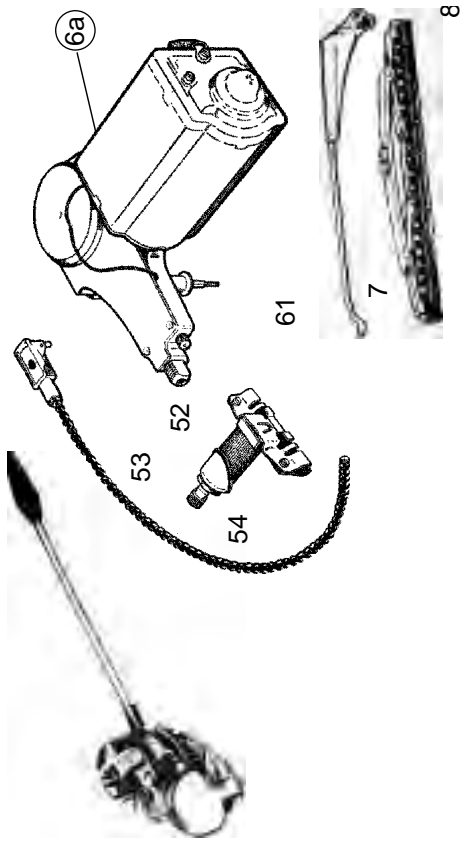
21

77

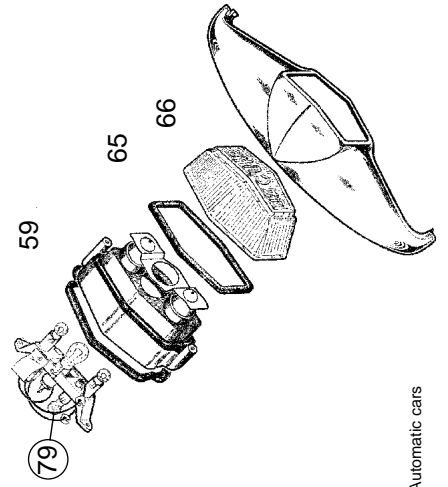
74a  
Lens only



FIG 22



16 15



59

78

30

31

62

Automatic cars

34c

|     | PART #    | DESCRIPTION  | QTY  | REMARKS   |                 |
|-----|-----------|--|------|---|-----------------|
| 1   | C13958    | Direction indicator control (switch only) - <b>Late cars</b>       | 1    | Fits to column - cowls not incl.  |                 |
| 1a  | C14307    | Pair of cowls for C13958 indicator switch                          | Pair | <b>Late cars</b>  |                 |
| 2   | C5531     | Horn push assembly - <b>complete</b>                               | 1    | Fits in centre of steering wheel  |                 |
| 3   | 5936      | Rim around horn push   | 1    |   |                 |
| 4   | 5934      | Horn push (button only)  | 1    |   |                 |
| 5   | C9653     | Switch to operate interior courtesy lights                         | 2    | FHC/DHC - screw into 'A' post   |                 |
| 5a  | C9653/S   | Striker plate for courtesy light switch                            | 2    | FHC/DHC - screws to door  |                 |
| 6   | 7252E     | Wiper motor - <b>RHD cars - Reconditioned</b>                      | 1    | <b>Exchange unit</b>  |                 |
| 6a  | 7229E     | Wiper motor - <b>LHD cars - Reconditioned</b>                      | 1    | <b>Exchange unit</b>  |                 |
| 6b  | WMK       | Mounting kit for wiper motor                                       | 1    |   |                 |
| 7   | 7249      | Wiper arm - <b>RHD cars</b>  | 2    |   |                 |
| 8   | 6562      | Wiper blades   | 2    |   |                 |
| 9   | 7250      | Wiper arm - <b>LHD cars</b>  | 2    |   |                 |
| 10  | 554903T   | Chrome embellishers - top of headlamp rim                          | 2    |   |                 |
| 11  | 5294      | Screw - securing bottom of headlamp rim                            | 2    |   |                 |
| 12  | 14/0224   | Chrome lower fixing for headlamp rim                               | 2    |   |                 |
| 13  | 5299      | Outer rim for headlamp - chromed                                   | 2    | Please note that each<br>repro 'J' light (5303)<br>requires a WA1 wiring<br>adapter |                 |
| 14  | 5293      | Inner rubber dust seal for headlamp                                | 2    |   |                 |
| 15  | 5301      | Inner retaining rim for headlamp unit - chromed                    | 2    |   |                 |
| 16  | 5303      | 'J' light lens/reflector unit (Repro)                              | 2    |   |                 |
| 17  | 5302      | Inner fixing ring for headlamp                                     | 2    |   |                 |
| 18  | 6670      | Back bowl for headlamp - fits into wing                            | 2    |   |                 |
| 18a | HLA4050   | Set of three headlamp adjusters (for one lamp)                     | 2    |   | Screw into bowl |
| 19  | 3461      | Rubber gasket - headlamp to body                                   | 2    |   |                 |
| 20  | C8407     | Fuel tank sender unit  | 1    |   |                 |
| 21  | C937      | Gasket for sender unit   | 1    |   |                 |
| 22  | C1083     | Reverse lamp & overdrive switch in gearbox                         | -    | 1 for reverse - 1 for overdrive   |                 |
| 23  | C2639     | Headlamp dip switch  | 1    |   |                 |
| 24  | C2659     | Rubber cap for above   | 1    |   |                 |
| 25  | C3901     | Stop light switch  | 1    |   |                 |
| 26  | C10830    | Direction indicator switch - <b>early DHC/FHC</b> (OTS has C13958) | 1    | Mounts in upper dashboard   |                 |
| 27  | C4630     | Eyelet for above   | 1    | Early DHC/FHC   |                 |
| 27a | C5560     | Tapered escutcheon for <b>Early</b> indicator switch               | 1    | DHC/FHC   |                 |
| 28  | C10831    | Handle on indicator switch   | 1    | Early DHC/FHC   |                 |
| 29  | C11936    | Screw securing C10831 handle                                       | 1    | Early DHC/FHC   |                 |
| 30  | C4518     | Flasher/brake light relay  | 1    | Early cars with small rear lights   |                 |
| 31  | C5230     | Flasher unit for indicators (with screw connections)               | 1    | All cars  |                 |
| 32  | C8907     | Front flashing indicator lamp                                      | 2    | Complete unit   |                 |
| 33  | C9926     | Rubber boot for indicator lamp                                     | 2    | Comes with C8907  |                 |
| 34  | C4517     | Front sidelight (parking lamp)                                     | 2    |   |                 |
| 34a | C4549/2   | Chrome screw holding front side light                              | 2    |   |                 |
| 35  | C4691     | Warning red lens for sidelights                                    | 2    |   |                 |
| 36  | C4098/2   | Spring clip for above  | 2    |   |                 |
| 37  | C12832    | Overdrive switch on dashboard                                      | 1    | Also for 'speedhold' on automatics  |                 |
| 38  | C13008    | Escutcheon under overdrive switch (see also No. 56)                | 1    |   |                 |
| 39  | 5308      | Number plate lamp housing - chromed                                | 1    |   |                 |
| 40  | 7395      | Wiper rack drive cable (inner cable)                               | 1    | Adjustable for all models   |                 |
| 41  | 574635    | Tail light lens  | 2    | Early cars  |                 |
| 42  | 574634    | Rubber gasket between lens and plinth                              | 2    | Early cars  |                 |
| 43  | 574654    | Tail light unit - <b>Left hand</b> - chromed                       | 1    | Early cars  |                 |
| 43a | 574655    | Tail light unit - <b>Right hand</b> - chromed                      | 1    | Early cars  |                 |
| 44  | 574890    | Rubber gasket between tail light and body                          | 2    | Early cars  |                 |
| 45  | 8344      | Rubber gasket - tail light to body - <b>Left hand</b>              | 1    | Late cars   |                 |
| 45a | 8345      | Rubber gasket - tail light to body - <b>Right hand</b>             | 1    | Late cars   |                 |
| 46  | 8312      | Tail light unit - <b>Left hand</b> - chromed                       | 1    | Late cars   |                 |
| 46a | 8311      | Tail light unit - <b>Right hand</b> - chromed                      | 1    | Late cars   |                 |
| 47  | 9291      | Reflector for tail lights  | 2    | Late cars   |                 |
| 48  | 8083      | Rubber seal for lenses to plinth                                   | 2    | Late cars   |                 |
| 49  | 8080      | Lens for rear indicator lamp - <b>Amber</b>                        | 2    | Late cars   |                 |
| 50  | 8174      | Chrome clip between lenses   | 2    | Late cars   |                 |
| 51  | 8081      | Lens for stop/tail lamp - <b>Red</b>                               | 2    | Late cars   |                 |
| 51a | 8286      | Divider shield between amber and red lenses                        | 2    | Late cars   |                 |
| 51b | 8082      | Screw securing stop/tail lens - chromed                            | 2    | Late cars   |                 |
| 52  | C5522/2   | Rubber seal - wiper spindle bezel to body                          | 2    |   |                 |
| 53  | 3/0244    | Wiper spindle bezel - chromed                                      | 2    |   |                 |
| 54  | 5219      | Wiper spindle nut - chromed  | 2    |   |                 |
| 55  | 54570296  | Plate for lenses on tail light                                     | 2    | Late cars (large lights)  |                 |
| 56  | BD15304   | Overdrive switch plinth  | 1    | (also for 'Speedhold' on autos)   |                 |
| 57  | SL02      | 'O' ring for front sidelight                                       | 2    |   |                 |
| 58  | 554909    | Headlamp metal bulb holding plate (for original 'J' lamps)         | 2    | Not required for <b>Repro</b> lamp  |                 |
| 59  | C9126     | Single filament bulb   | 5    | Various uses  |                 |
| 60  | 5298      | Wiring adapter for <b>original</b> 'J' light                       | 2    | For repro lamps see WA1 (# 63)  |                 |
| 61  | C14472    | Wiper wheel box (nut etc. <b>not</b> included)                     | 2    |   |                 |
| 62  | BD3539/2  | Tail light lens screw  | 2    | Early cars (small lights)   |                 |
| 63  | WA1       | Headlamp wiring adapter (for repro head lamp only)                 | 2    | Repro headlamps only  |                 |
| 64  | 3489      | Seal for reverse lamp to boot lid                                  | 1    |   |                 |
| 65  | 3488      | Seal for reverse lamp lens   | 1    |   |                 |
| 66  | 3487      | Reverse light lens   | 1    |   |                 |
| 67  | 5310A     | Reverse lamp bulb holder/shroud assembly                           | 1    | Secondhand  |                 |
| 68  | C2837     | Mounting bracket for dipswitch                                     | 1    |   |                 |
| 69  | 5322      | Amber lens and rim assembly  | 2    |   |                 |
| 70  | 302       | Pre-focus headlamp bulb (for original headlamps)                   | 2    |   |                 |
| 70a | 302H      | Pre-focus <b>halogen</b> bulb                                      | 2    |   |                 |
| 70b | LLB410    | Headlamp bulb for <b>Repro</b> headlamps                           | 2    | Not for original 'J' lamps  |                 |
| 71  | C12570    | Auto 'speedhold' escutcheon  | 1    | Automatic cars only   |                 |
| 72  | C16164    | Relay for overdrive  | 1    |   |                 |
| 73  | C7471     | Solenoid for overdrive unit  | 1    |   |                 |
| 74  | BD14049   | Interior lamp assembly   | 1    |   |                 |
| 74a | BD14049/1 | Lens only for interior lamp  | 1    |   |                 |
| 75  | HCS2      | Horn contact set   | 1    | All parts to contact column   |                 |
| 76  | C5226     | Horn - high note - <b>Refurbished</b>                              | 1    | Original secondhand   |                 |
| 76a | C5227     | Horn - Low note - <b>Refurbished</b>                               | 1    | Original secondhand   |                 |
| 77  | HR1       | Pair of 60's style horns   | Pair | New - <b>Not</b> original - cheaper alternative                                     |                 |
| 78  | C9125     | Twin filament bulb for stop/tail lamp                              | 2    | All models  |                 |
| 79  | C12249    | Bulb for number plate lamp/boot interior                           | 3    | All models  |                 |

Rubber Grommet Kit for Bulkhead  
and Chassis  
**RGK150**

8

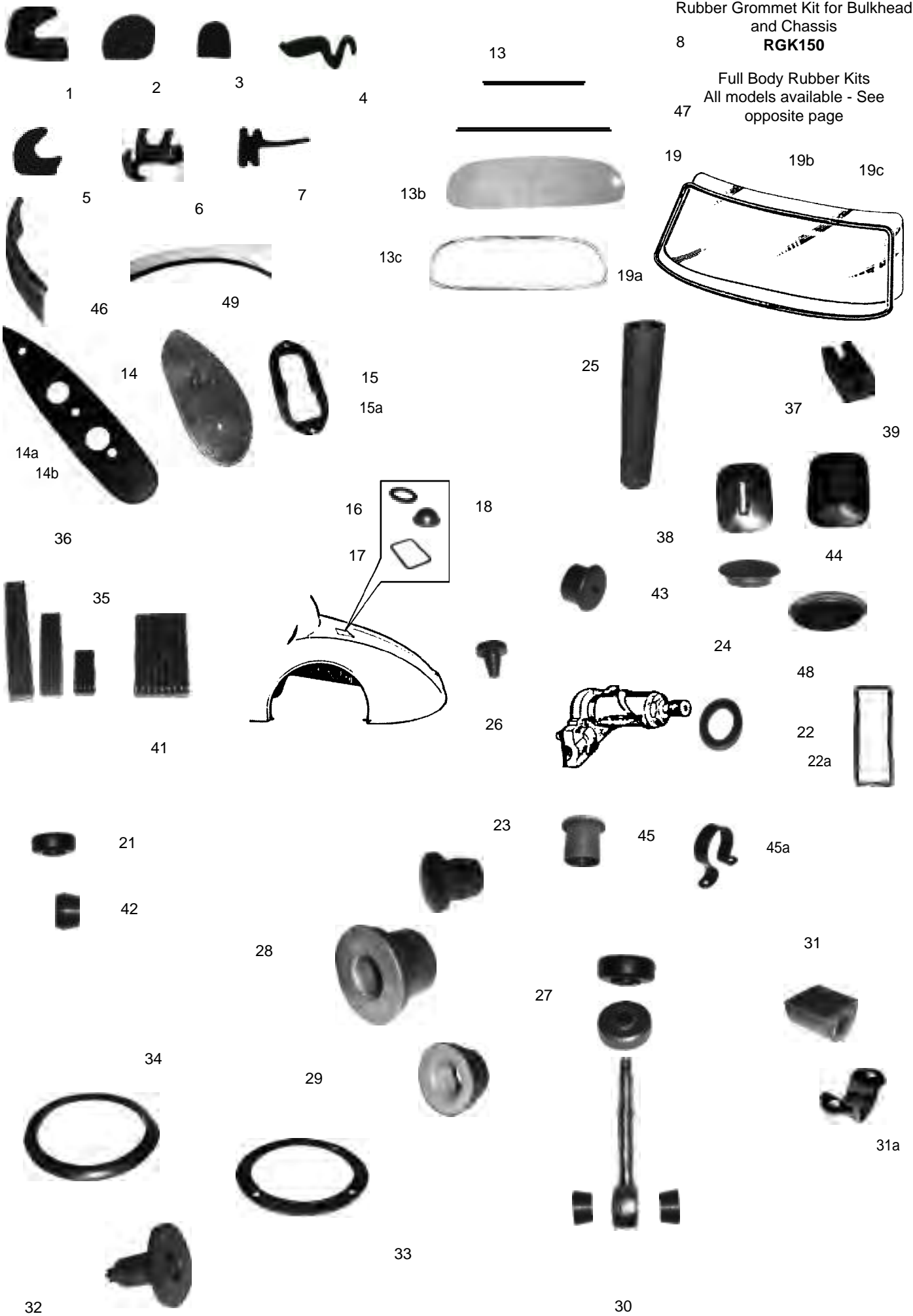
Full Body Rubber Kits  
All models available - See  
opposite page

47

19

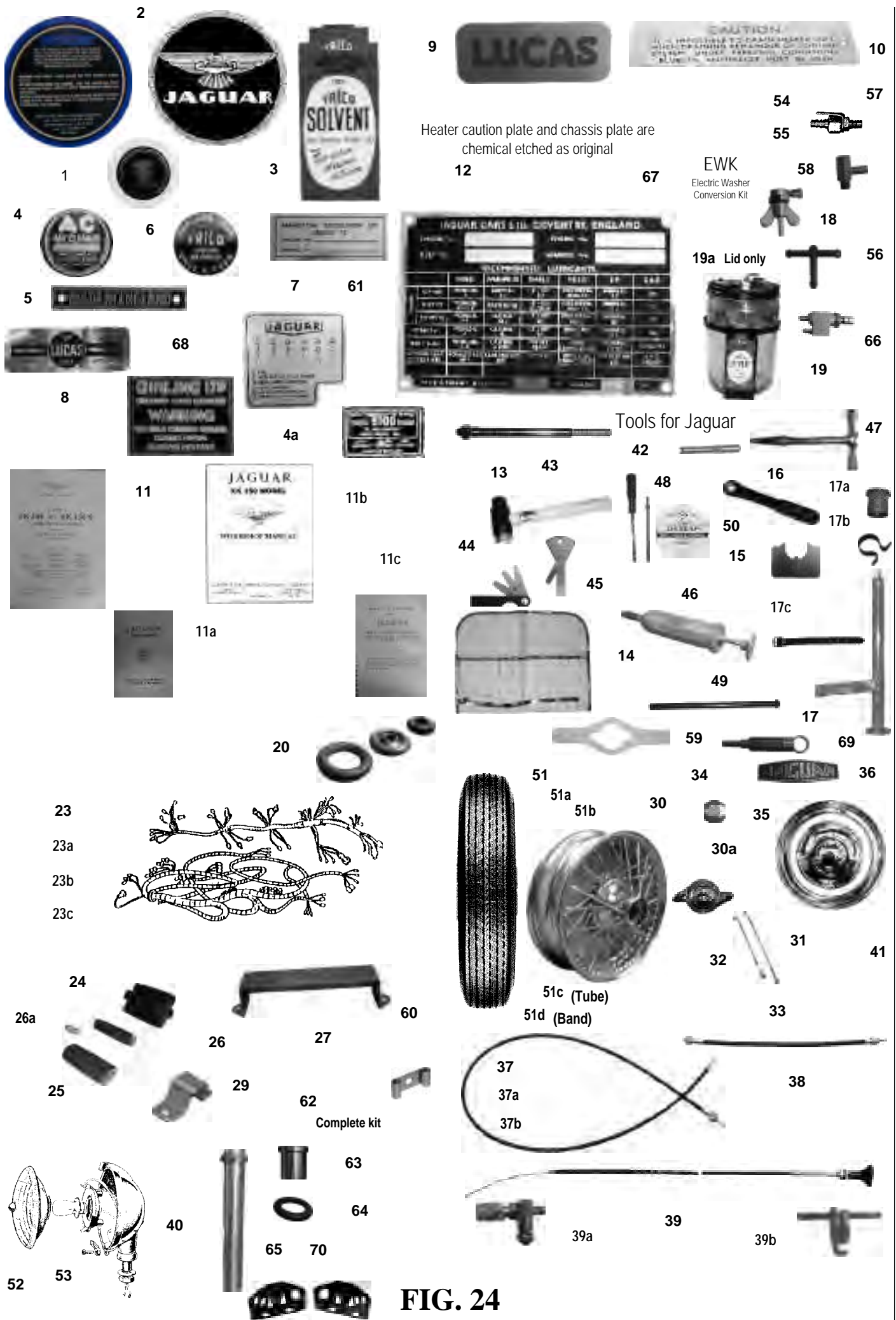
19b

19c



**FIG. 23**

|     | PART #   | DESCRIPTION  | QTY           | REMARKS                               |
|-----|----------|--|---------------|---------------------------------------|
| 1   | BD2045   | Seal - hinge pillars and sills                             | Sold per foot |                                       |
| 2   | BD4814   | Seal - hood, cantrails DHC only                            | Sold per foot | DHC Only                              |
| 3   | BD2159   | Seal - shut faces DHC/FHC and bootlid                      | Sold per foot |                                       |
| 4   | BD6820   | "Ramsey" seal for around doors                             | Sold per foot | OTS/DHC=21ft /FHC=28ft                |
| 5   | BD14100  | Seal - bootlid lower edge                                  | Sold per foot | All cars                              |
| 6   | BD12577  | Seal - rear quarter-lights                                 | 2             |                                       |
| 7   | BD11030  | Seal - Doorframe to quarter-lights                         | 2             | (FHC also has 2 for rear)             |
| 8   | RGK150   | Grommet set for bulkhead and chassis                       | Set           | All models                            |
| 13  | BD14937  | Rear windscreen rubber seal                                | 1             | FHC only                              |
| 13b | BD14936  | Rear screen glass - <b>when available</b>                  | 1             | FHC                                   |
| 13c | BD12616  | Chrome finisher for rear screen                            | 1             | FHC                                   |
| 14  | 574890   | Rubber gasket - tail-lamp to body                          | 2             | <b>Early cars</b> (small taillights)  |
| 14a | 8345     | Rubber gasket - tail-lamp to body - <b>R/hand</b>          | 1             | <b>Later cars</b> (large tail lights) |
| 14b | 8344     | Rubber gasket - tail-lamp to body - <b>L/hand</b>          | 1             | <b>Later cars</b> (large tail lights) |
| 15  | 574634   | Rubber gasket between tail-lamp rim and lens               | 2             | <b>Early cars</b> (small taillights)  |
| 15a | 8083     | Rubber gasket for tail lenses to lamp                      | 2             | <b>Later cars</b> (large tail lights) |
| 16  | BD3189   | Neoprene seal inside filler cap                            | 1             | <b>Early cars</b>                     |
| 17  | BD4354   | Rubber seal under filler flap                              | 1             |                                       |
| 18  | BD8076   | "Dome" seal inside filler cap                              | 1             | <b>Late cars</b>                      |
| 19  | BD13129  | Windscreen rubber seal                                     | 1             | See also BD13130                      |
| 19a | BD13130  | Locking insert for BD13129 seal                            | 1             | Locks seal to glass & body            |
| 19b | BD13051  | Windscreen glass - <b>plain</b>                            | 1             | <b>Customer collect only!</b>         |
| 19c | BD19038  | Front screen glass - <b>tinted</b>                         | 1             | <b>Customer collect only!</b>         |
| 21  | C10647   | Rubber buffer at top of front shock absorber               | 4             | Also available in polyurethane        |
| 22  | BD5190   | Wing ventilator door seal - <b>early cars</b>              | 2             | Cars with flat gauze                  |
| 22a | BD16091  | Wing ventilator door seal - <b>late cars</b>               | 2             | Cars with curved gauze                |
| 23  | 1048/A   | Plug for jack socket                                       | 2             |                                       |
| 24  | C5522/2  | Rubber seal on wiper spindle                               | 2             |                                       |
| 25  | BD4368   | Petrol filler hose   | 1             |                                       |
| 26  | BD4616   | Bonnet buffer rubbers                                      | 10            |                                       |
| 27  | C3053    | Upper bushes for anti-roll bar link                        | 4             | Also available in polyurethane        |
| 28  | C3021    | Metalastik bush for lower wishbone                         | 8             | Also available in polyurethane        |
| 29  | C3003    | Metalastik bush for upper wishbone                         | 8             | Also available in polyurethane        |
| 30  | C3050    | Lower bushes for anti-roll bar link                        | 4             | Also available in polyurethane        |
| 31  | C4349    | Anti-roll bar to chassis 'D' rubber bush                   | 2             | Also available in polyurethane        |
| 31a | C3054    | Saddle clamp for C4349 Anti-roll bar bush                  | 2             |                                       |
| 32  | C9926    | Rubber boot for front indicator lamp                       | 2             |                                       |
| 33  | 3461     | Rubber gasket between headlamps and wings                  | 2             |                                       |
| 34  | 5293     | Rubber dust seal in headlamp units                         | 2             |                                       |
| 35  | C9934    | Clutch and brake pedal rubbers                             | 2             |                                       |
| 36  | C3473    | Throttle pedal rubber - <b>Early cars</b>                  | 1             | 6.1/2" long                           |
|     | C11671   | Throttle pedal rubber - <b>Later cars</b>                  | 1             | 10" long                              |
| 37  | BD14943  | Rubber retainer for bonnet prop                            | 1             |                                       |
| 38  | BD10330  | Rubber grommet for rear bumper irons                       | 2             | On wings                              |
| 39  | BD10331  | Rubber grommet for rear bumper irons                       | 2             | On tonneau's                          |
| 41  | C6876    | Pad for footrest (manual cars) & <b>auto.</b> brake pedal  | 1             |                                       |
| 42  | C3273    | Rubber bush for shock absorber eyes (Also in Polyurethane) | -             | 4 - on fronts - 8 on rears            |
| 43  | 513      | Grommet in bulkhead for oil/temp. gauge lines              | 1             | Also in RGK150 kit                    |
| 44  | SBG      | Sill blanking grommet                                      | 4             |                                       |
| 45  | BD3527   | Rubber boot for jack-end                                   | 1             |                                       |
| 45a | BD3535   | Saddle clip for BD3527 boot                                | 1             |                                       |
| 46  | BD8598   | Piping for wings etc. - As required                        | Sold per foot | Front & rear wings & no. plate        |
| 47  | FRK150RE | Full body rubber kit - <b>Roadster</b>                     | 1             | <b>Early cars</b> (small rear lights) |
|     | FRK150RL | Full body rubber kit - <b>Roadster</b>                     | 1             | <b>Late cars</b> (large rear lights)  |
|     | FRK150DE | Full body rubber kit - <b>DHC</b>                          | 1             | <b>Early cars</b> (small rear lights) |
|     | FRK150DL | Full body rubber kit - <b>DHC</b>                          | 1             | <b>Late cars</b> (large rear lights)  |
|     | FRK150FE | Full body rubber kit - <b>FHC</b>                          | 1             | <b>Early cars</b> (small rear lights) |
|     | FRK150FL | Full body rubber kit - <b>FHC</b>                          | 1             | <b>Late cars</b> (large rear lights)  |
| 48  | C5647    | Blanking grommet for chassis in boot                       | 4             |                                       |
| 49  | SPS      | Splash panel seal  | Sold per foot | 13ft per car (fronts & rears)         |



Heater caution plate and chassis plate are chemical etched as original

Tools for Jaguar

FIG. 24

|     | PART #   | DESCRIPTION  | QTY REQ.    | REMARKS                                  |
|-----|----------|--|-------------|--|
| 1   | BD14854  | Tax disc holder with Jaguar <b>head</b> logo                   | 1           | Fitted to all XK's                       |
| 2   | ACC2     | Running in decal 'Jaguar' <b>wings</b>                         | 1           | As original                              |
| 3   | ACC3     | 'TRICO' washer bottle decal                                    | 1           | As original                              |
| 4   | ACC4     | AC air cleaner sticker - <b>round</b>                          | 2           | If pancake filters are fitted            |
| 4a  | ACC7     | AC air cleaner sticker - <b>square</b>                         | 1           | All standard 150 air cleaners            |
| 5   | ACC5     | "Made in England" brass tag                                    | 1           | Fitted to <b>export</b> cars             |
| 6   | ACC6     | Wiper blade sticker - on washer bottle lid                     | 1           | As original                              |
| 7   | FBD150   | Fuse identification sticker                                    | 1           |  |
| 8   | ACC8     | "Lucas" coil sticker   | 1           | Silver                                   |
| 9   | ACC9     | "Lucas" battery sticker  | 2           |  |
| 10  | ACC10    | "Caution" plate (on heater) • <b>chemically etched</b> •       | 1           | Now as original                          |
| 11  | ACC50    | Spare parts catalogue - covers mechanical & body               |             | Reprint of original Jaguar               |
| 11a | ACC51    | Service handbook   |             | Reprint of original Jaguar               |
| 11b | ACC13    | Workshop (service) manual                                      | 1           | Covers all XK's & Mk 7                   |
| 11c | ACC21    | Workshop manual for Borg-Warner automatic gearbox              | 1           | Covers most early auto Jaguars           |
| 12  | CP150    | Chassis plate • <b>chemically etched</b> •                     | 1           | Now as original                          |
| 13  | C992     | Hammer - copper/hide - for wheel spinners                      | 1           | Wire wheel cars only                     |
| 14  | C5578    | Tool roll in vinyl   | 1           | As original                              |
| 15  | C3993    | Cam setting gauge  | 1           | As original                              |
| 16  | C2954    | Ratchet handle for jack  | 1           | As original                              |
| 17  | C2953    | Jack - exact reproduction                                      | 1           | With correct foot                        |
| 17a | BD3527   | Rubber boot for end of jack                                    | 1           | Holds jack in boot                       |
| 17b | BD3535   | Clip for BD3527  | 1           | Holds jack in boot                       |
| 17c | C5217    | Leather strap holding jack                                     | 1           | Holds jack in boot                       |
| 18  | C5473/4  | Washer jet   | 2           | As original                              |
| 19  | C10127/1 | Washer bottle assembly   | 1           | Jar, lid, pump & bracket                 |
| 19a | WBL150   | Washer bottle <b>lid only</b>                                  | 1           | No pump - lid only                       |
| 20  | RGK150   | Rubber grommet kit for wiring & brake/fuel lines               | 1           | For bulkhead and chassis                 |
| 23  | WLE150   | Wiring loom - braided outer/PVC inner                          | 1           | Early cars with small rear lights        |
| 23a | WLL150   | Wiring loom - braided outer/PVC inner                          | 1           | Late cars with large rear lights         |
| 23b | WLA150E  | Wiring loom - for <b>automatic cars</b>                        | 1           | Early autos with small rear lights       |
| 23c | WLA150L  | Wiring loom - for <b>automatic cars</b>                        | 1           | Late autos with large rear lights        |
| 24  | ACC24    | Snap connector - <b>single</b>                                 | As req.     |  |
| 25  | ACC25    | Snap connector - <b>double</b>                                 | As req.     |  |
| 26  | ACC26    | Snap connector for lights - <b>5 way</b>                       | 2           | (+ 1 for wiper motor)                    |
| 26a | ACC30    | Brass 'Bullet' for wiring connectors                           | As req.     |  |
| 27  | C13416   | Covers for wiring connectors                                   | 2           |  |
| 29  | ACC29    | Bracket for use with 5 way connector                           | -           | OTS/DHC x 1 – FHC x 2                    |
| 30  | C12436   | Wire wheel <b>Chromed</b> - stainless spokes                   | 5           | 60 Spoke only                            |
|     | C14023   | Wire wheel <b>painted</b> in silver                            | 5           | 60 Spoke only                            |
| 30A | C1102    | Spinner for wire wheel - <b>R/Hand</b>                         | 2           | As original - 2 ear                      |
|     | C1103    | Spinner for wire wheel - <b>L/Hand</b>                         | 2           | As original - 2 ear                      |
| 31  | C5603    | Spoke - short for 16" wire wheel                               | }           | State                                    |
| 32  | C5602    | Spoke - long for 16" wire wheel                                |             | quantity                                 |
| 33  | C5604    | Nipples on spoke end   |             | required - <b>not</b> stainless          |
|     | C6749    | Steel (disc) road wheel  | 5           | Second hand                              |
| 34  | C3041    | Wheel nut  | 20          | Steel wheel cars only                    |
| 35  | C3367    | Jaguar badge in hub-cap centre                                 | 4           | Steel wheel cars only                    |
| 36  | C3243    | Hub-cap (Badge #35 not incl.)                                  | 4           | Steel wheel cars only                    |
| 37  | C8303    | Speedo-cable - <b>non-overdrive cars</b>                       | 1           | Standard transmission                    |
| 37a | C11964   | Speedo-cable - <b>overdrive cars</b>                           | 1           | Overdrive transmission                   |
| 37b | C12544   | Speedo cable for <b>Automatic cars</b>                         | 1           | Autos only                               |
| 38  | C12860   | Rev counter cable - 16" long                                   | 1           | <b>All models</b>                        |
| 39  | BD10221  | Bonnet release cable - inner & outer                           | 1           |  |
| 39a | C4443A   | Bonnet cable adjuster assembly                                 | 1           | Screw (C4443) and abutment post (C3880)  |
| 39b | BCB      | Bracket to hold bonnet cable in cockpit                        | 1           |  |
| 40  | SFT576   | Fog lamp - complete unit                                       | 2           | New "Lucas" repro                        |
|     | SLR 576  | Spot lamp - complete unit                                      | 2           | New "Lucas" repro                        |
| 41  | C14602   | "Ace" Rimblisher (stainless steel) for <b>steel wheel cars</b> | 4           | Period option                            |
| 42  | C993     | Tyre valve extractor in brass                                  | 1           | As original                              |
| 43  | C4670    | Gauge for tyre pressures - original                            | 1           | <b>When available</b>                    |
| 44  | C5587    | Feeler gauge set   | 1           |  |
| 45  | C5444    | Feeler gauge/screwdriver for distributor                       | 1           | Original                                 |
| 46  | C10176   | Grease gun - <b>Early - GC3021</b>                             | 1           | Original                                 |
|     | C13269   | Grease gun - <b>Late - GC3020</b>                              | 1           | As original                              |
|     | C13269IS | Reproduction of Tecalemit instruction sheet for C13269         | 1           | Wraps around grease gun                  |
| 47  | 2072     | 'T' key for budget locks & spats                               | 1           | As original                              |
| 48  | C4585    | Screwdriver - repro "Jaguar"                                   | 1           | Repro                                    |
| 49  | C34      | Tommy bar - <b>short</b>                                       | 1           | Repro                                    |
|     | C2896    | Tommy bar - <b>long</b>  | 1           | Repro                                    |
| 50  | C13620   | Brake bleed tube tin   | 1           | As original                              |
| 51  | C3760    | Dunlop "Roadspeed" <b>crossply</b> tyre                        | 5           | As original                              |
| 51a | MICH     | Michelin 'X' <b>Radial</b> tyre                                | 5           | Radial replacement                       |
| 51b | AVON     | Avon 'Turbosteel' <b>Radial</b> tyre                           | 5           | Radial replacement                       |
| 51c | C5636    | Inner tube for tyres   | 5           |  |
| 51d | C5636B   | Band on wheel rim (rubber)                                     | 5           | Protects tube from spoke ends            |
| 52  | 5296     | <b>Fog</b> lamp lens/reflector unit only                       | 2           | To fit SFT 576 <b>Fog</b> lamp           |
|     | 5296S    | <b>Spot</b> lamp lens/reflector unit only                      | 2           | To fit SLR 576 <b>Spot</b> lamp          |
| 53  | 323      | Spot/fog lamp bulb   | 2           | To fit SLR or SFT lamp                   |
| 54  | C13260   | Vacuum hose for windscreen washer                              | 1           | Sold as car length                       |
| 55  | WJT      | Hose from washer bottle to jets                                | 1           | Sold as car length                       |
| 56  | C5473/6  | "T" piece for washer jets                                      | 1           |  |
| 57  | C13570   | Vacuum take-off non-return valve kit for washers               | 1           | Screws into manifold - <b>early cars</b> |
| 58  | C14715A  | Vacuum 'T' adapter for servo take-off & washer vacuum          | 1           | <b>Later cars</b>                        |
| 59  | ST1      | Wooden tool to remove wheel spinners                           | 1           | Protects the chrome!                     |
| 60  | C5204    | Earth terminal fitting   | 2           | Connects earths to body                  |
| 61  | ACC23    | "Marston" radiator brass plaque                                | 1           | Fits to radiator tank                    |
| 62  | FLK1     | Fog lamp mounting kit (Inc. No's, 63, 64, 65 & 70)             | 1           | Complete kit for 2 lamps                 |
| 63  | BD14162  | Fog lamp distance collar                                       | 2           | Chromed                                  |
| 64  | C8297    | Grommet for fog lamp mounting                                  | 2           |  |
| 65  | 157-207  | Long bolt for fog lamp mounting                                | 2           |  |
| 66  | C5472/7  | Vacuum control button assy. for washers                        | 1           | As original                              |
| 67  | EWK      | Electric washer conversion kit                                 | 1           | Retains original bottle                  |
| 68  | ACC100   | "Girling" sticker for brake/clutch reservoirs                  | 2           |  |
| 69  | CT1      | Clutch alignment tool  | 1           |  |
| 70  | BD9242/3 | Pair of foglamp mounting brackets                              | <b>Pair</b> |  |

# HOW TO ORDER – TERMS & CONDITIONS

**POLICY** - It is our policy to offer the widest range of parts available at competitive prices, coupled with a friendly and helpful service.

**ORDERING** - We welcome visitors to our premises, or orders can be made by mail or telephone on the following numbers:

|                           |                           |                     |
|---------------------------|---------------------------|---------------------|
| <b>MONDAY TO FRIDAY -</b> | <b>9.00 AM TO 5.30 PM</b> | <b>01676 541980</b> |
|                           | <b>OR MOBILE:</b>         | <b>0860 505619</b>  |
|                           | <b>FAX LINE:</b>          | <b>01676 542427</b> |

**PAYMENT** - Payment may be made by cash, personal cheque, up to the guaranteed limit or by certified bank draft. Access (Master Charge) and Visa Credit Cards are accepted and are particularly useful for telephone orders.

**UK EXCHANGE UNITS AND SURCHARGES** - Certain items are available on an exchange basis, that is, your old unit must be returned to us for reconditioning. If an old unit is not returned to us at time of ordering, a deposit surcharge is payable. These surcharges are clearly identified in the Guy Broad Price List. Upon receipt of the old unit the surcharge will be refunded, provided that the return unit is of reconditionable quality. Some units are only offered as customer own unit rebuilt due to rarity. Finally, if in doubt, please telephone.

**OVERSEAS ORDERS** - When ordering from abroad, please ensure you enclose full details of your car, i.e. engine, chassis number, left hand or right hand drive, year of manufacture etc. Goods will be sent all carriage charges forward unless pre-paid.

**Note:** overseas orders are subject to local import duty and customs clearance which will need to be paid at point of entry.

**EXPORT QUOTATIONS** - These may be obtained by fax, mail or telephone on the above numbers. Payment for export purchases may be made by the following methods; Sterling Travellers Cheques, Eurocheque, Access or Visa (Barclay) Card, Giro Cheque or Bank Transfer against a quotation.

**EXPORT EXCHANGE UNITS** - We regret that, on export orders for items that are supplied on an exchange basis, it is essential that an old unit of reconditionable quality is received before any item is supplied to the customer.

**CARRIAGE/PACKING CHARGES** - We will use the most economical method available to send your goods. For urgent orders, please contact our telephone sales staff, who will advise you.

**BACK ORDERS** - We try to keep large stocks of all items listed in the catalogue, but occasionally we exhaust our stocks. If we are unable to supply any ordered items within 14 days, the order will be considered cancelled unless you state otherwise. A full refund for any items charged but not supplied will be made on cancellation of the order.

**WARRANTY** - All parts are fully warranted against defects in materials and workmanship. In most cases, warranty will not cover labour, failure of a related component, failure resulting from faulty installation or misuse, nor would liability exceed the cost of the original component. During the Warranty Period (usually 12 months) please contact us immediately if any problem occurs. We will then advise you as to the best course of action. **With all claims a copy of the purchase invoice must be provided.**

**QUERIES, ADVICE, RETURNS** - If you have any problems with items purchased from Guy Broad Parts, we will do our best to answer them. Please telephone a member of our sales staff.

## TERMS AND CONDITIONS OF SALE

- 1 Payment must be made for all orders prior to despatch unless other arrangements have been made.
- 2 All parts supplied carry manufacturers warranty, this does not affect your statutory rights. The invoice number must be supplied with any claim regarding faulty parts.
- 3 All mail order parts are insured by us or our appointed carrier. Claims of shortages or damage must be notified within three days of receipt of the order.
- 4 Goods damaged in transit. We are unable to replace goods if they have been signed for 'Received in Good Condition'. Do not sign until you have verified the condition of the delivered consignment.
- 5 Placement of an order will be taken as acceptance of the foregoing conditions.

Through our policy of friendly and efficient service, we hope to offer the best service available. Your support is greatly valued and your continued custom appreciated.

Whilst every effort is made to ensure the accuracy of the particulars contained in this document, Guy Broad Parts and any Manufacturing Companies will not, in any circumstances, be held liable for any inaccuracies or the consequences thereof.