

USING THIS CATALOGUE

We have endeavoured to show, by pictures or text, the most frequently used and available items that we hold in stock for the XK 140 range only. Some items are new, some new/old stock, some reproduction and some old secondhand - please state your requirements.

As there are three distinct models, each supplied originally in left hand drive (LHD) format and right hand drive (RHD) format, it is imperative that you tell us at the time of first contact just exactly what you own - ie. RHD Drophead 140 etc.

We use all the obvious abbreviations, as follows:

140 R	XK140 Roadster
140 DHC	XK140 Drophead Coupé
140 FHC	XK140 Fixedhead Coupé
S.E. or S/E	Special Equipment
LHD	Left Hand Drive
RHD	Right Hand Drive

IDENTIFYING YOUR CAR

All 140's have a chassis number firmly stamped on the flat surface on the near side - looking down at a point adjacent to where the exhaust pipes exit beneath the bulkhead. This same number is also stamped at the point under the radiator.

The Chassis numbers are as follows:

Roadster 140 RHD	- 800001 and on
Roadster 140 LHD	- 810001 and on
Drophead 140 RHD	- 807001 and on
Drophead 140 LHD	- 817001 and on
Fixedhead 140 RHD	- 804001 and on
Fixedhead 140 LHD	- 814001 and on

The letter 'A' as a prefix - denotes Special Equipment Model with standard cylinder head. Prefix "S" denotes Special Equipment Model with 'C' type cylinder head. The term 'Special Equipment' can be very misleading as there were many options available to the original owners in 1955/57, however, as a general rule all 'S' prefixed cars/chassis were fitted with wire wheels.

Engine Number

All 140's have an Engine numbered with a prefix "G" ie. from G.1001 and up. These are suffixed with the number 7, or 8, which denotes the compression ratio of the engine. Because 7 to 1 pistons are now not available - replacement units are always 8 to 1. There are two types of 140 engine. An early type - up to engine No. G.1907 (Jag. part No. C.4820) which was virtually a continuation of the old XK120 engine - ie. same water pump and spring blade method of timing chain tension. From engine No. G1908 (Jag. part No. C.8160 or C.8610/1) the oil pump was updated, and the timing chain tensioning was modified etc.

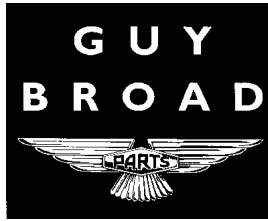
The engine number is stamped on the flat surface of the block at the point where the oil filter unit bolts to it. The cylinder head bore the same number, when the cars were new. This of course can differ now, as over forty years have passed since most of the cars were new. The cylinder head number appears on the inside bridge point where the front cam covers meet. If there is no number on your cylinder head, this probably denotes a factory replacement unit at some time, the standard head colour should be silver. As with chassis, the letter 'S' as a suffix to the number, indicates 'Special Equipment'. The 'C' Type head also has a large 'C' cast into the head between the 3rd and 4th spark plug. It should also be red in colour and the casting No. C7707 can be seen on the underside when the head is off the block.

Gearbox Number

140's are fitted with non-overdrive gearboxes in series "JL" or "SL" and "JLE" when fitted with overdrive. The gearbox number is stamped on the lid around the large rear core plug and also on the very small flat surface on the left hand side upper case of the box - see the gearbox illustration.

Body Number

This number is stamped on a small tag on the upper part of the nearside bulkhead above the control box. 140 Roadsters have a body number commencing F.10001 and up, 140 Dropheads - P.3001 and up and 140 Fixedheads - J.4001 and up.



THIS CATALOGUE HAS BEEN COMPLETELY CHANGED IN PLACES, PAGE NUMBERING BETWEEN OLD AND NEW CATALOGUES IS NOT CONSISTENT, SO WHEN ORDERING PARTS PLEASE USE PART NUMBERS NOT PAGE OR ITEM NUMBERS.

Thank You

Catalogues will now have a code to identify when changes have been made and which issue the catalogue is at.

Please note the Addresses for our website -

www.guybroad.com

and our e-mail -

sales@guybroad.co.uk

CONTENTS

FIG 1	Page 4	Engine	FIG 12	Page 22	Brakes front/rear
FIG 2	Page 6	Cylinder head	FIG 13	Page 24	Steering
FIG 3	Page 8	Carburettors	FIG 14	Page 25	Throttle linkage
FIG 4	Page 10	Gearbox	FIG 15	Page 26	Heater & demisters
FIG 5	Page 11	Clutch mechanism	FIG 16	Page 27	Interior components
FIG 6	Page 12	Front Suspension	FIG 17	Page 28	Doors, windows etc.
FIG 7	Page 13	Anti-roll & torsion bars	FIG 18	Page 30	Body Fittings
FIG 8	Page 14	Front stub axle	FIG 19	Page 32	Body Fittings
FIG 9	Page 16	Back axle	FIG 20	Page 34	Instuments/electrics
FIG 10	Page 18	Chassis, exhaust, cooling & fuel system	FIG 21	Page 36	Electrical
FIG 11	Page 20	Braking system	FIG 22	Page 38	Rubber
			FIG 23	Page 40	Accessories

DETAILS OF CONTENTS

	Page #		Page #
Accessories	40-41	Lamps	36-37+40-41
Air Cleaners	8-9	Manuals	40-41
Badges	32-33	Master Cylinder	20-21
Bearings, Engine	4-7	Mirrors	30-31+36-37
Body Parts & Fittings	28-33	Oil Filters	4-5
Books	40-41	Oil Pump	4-5
Brakes	20-23	Petrol Tank	18-19
Brake Cables	20-21	Pistons	4-5
Brake Hoses	20-21	Radiator	18-19
Bumpers	32-33	Rear Axle	16-17
Carburettors	8-9	Relays	36-37
Carburettor Rebuild Kits	8-9	Rubber Parts	38-39
Charging System	34-35	Sending Unit, Fuel	36-37
Chrome Trim	27-33	Shock Absorber	18-19
Clutch	11	Silencers	18-19
Cooling System	18-19	Spark Plugs	6-7
Decals	40-41	Speedometer Cables	40-41
Differential	16-17	Springs for Rear Suspension	18-19
Distributor	34-35	Stainless Steel Exhaust	18-19
Door Fittings	28-29	Starter Motor	34-35
Door Seals	28-29	Steering	24
Dynamo	34-35	Suspension (front)	12-13
Electrical	34-37	Switches	34-37
Engine	4-7	Tachometer Cables	40-41
Engine Mounts	4-5	Tail Lamps	36-37
Exhaust System	18-19	Thermostat	6-7
Fog Lamps	40-41	Timing Chains	6-7
Front Suspension	12-13	Tools	40-41
Fuel Pump	18-19+34-35	Transmission	10+16-17
Gasket Sets	4-9	U-Joints	16-17+24
Gearbox	10	Valves, engine	6-7
Grille	32-33	Voltage Regulator	34-35
Grommets	38-41	Water Pumps	4-5
Handbrake Cables	20-21	Wheels (Wire)	40-41
Headlamps	36-37	Wheel Bearings (Front)	14-15
Heating & demisting	26	Wheel Bearings (Rear)	16-17
Hoses, Radiator	18-19	Windscreens	27+30-31
Hubcaps	40-41	Wiper Motor	36-37
ID Plates	40-41	Wiring Harnesses	40-41
Ignition	34-35		

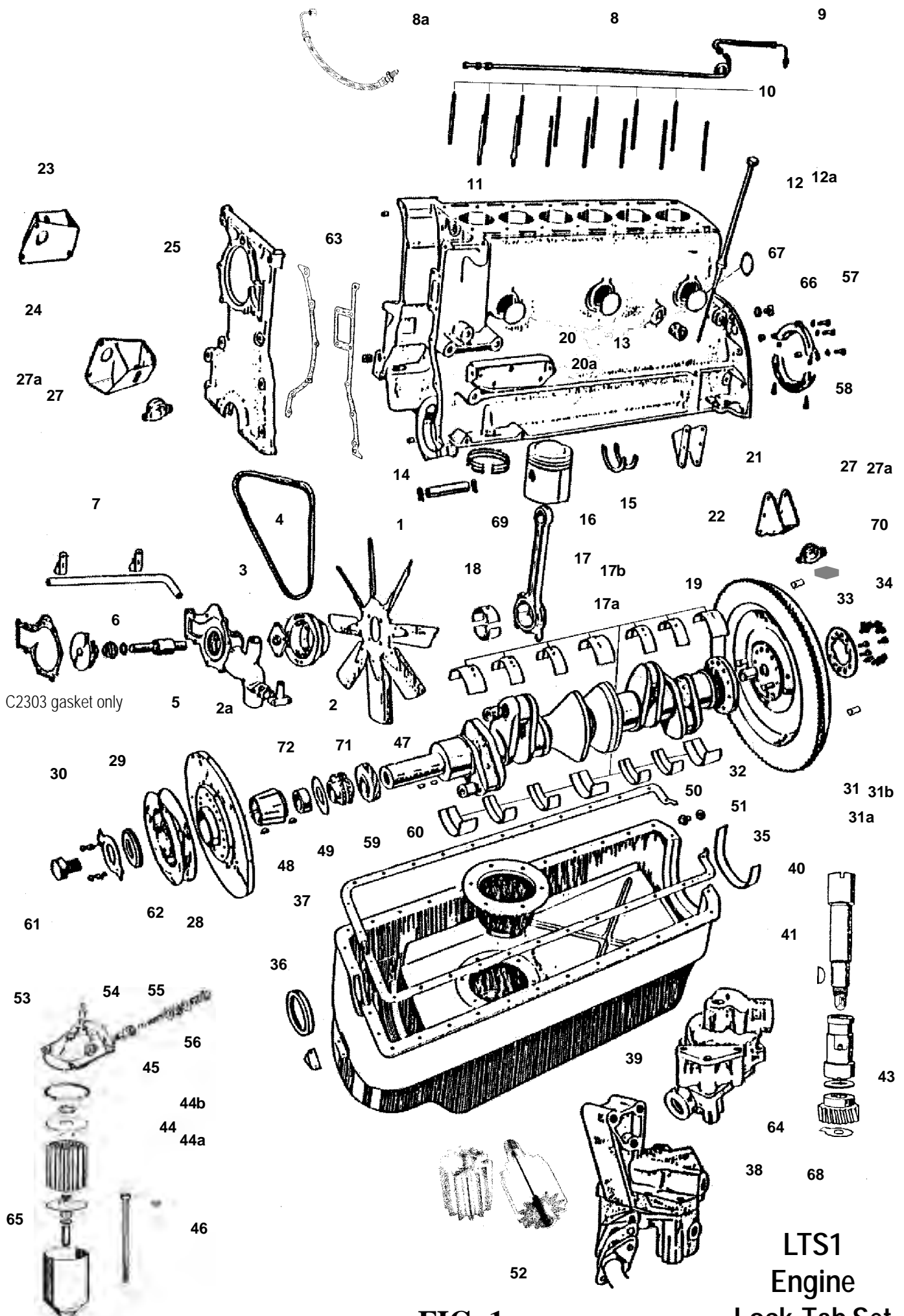


FIG. 1

LTS1
Engine
Lock-Tab Set

	PART #	DESCRIPTION	QTY REQ.	REMARKS
1	C7615	Engine cooling fan	1	New
	C5121	Fan balance weights	-	As required
2	C7631	Elbow on water pump	1	
2a	C7733	Gasket on water pump elbow	1	
3	C7644	Water pump pulley	1	
4	C7898	Fan belt	1	
5	C7618E	Water pump - Reconditioned	1	Exchange
6	WPK40/50	Water pump kit	1	Kit as illustrated
7	C4836	Heater return pipe with clips	1	
8	1425	Oil pipe to gauge	1	
8a	OFF1	Special oil flex pipe to gauge	1	As option for easier removal of dashboard
9	C8068	Flexible oil pipe from filter head to 1425 pipe	1	
10	C2269	Cylinder head stud	13	
11	C2270	Dowel stud for cylinder head	1	
12	C8781	Engine oil dipstick (later cars)	1	From eng. G1908 onwards
12a	DSF1	Dipstick felt seal	1	
13	C315	Core plug	7	
14	PRS34	Piston ring - state oversize required	Set	For 6 pistons
15	C2316	Thrust washer - oversize available	Pair	Sold as pair
16	C12098	Piston - state oversize required	Set	Set of 6 with rings & gudgeon pins + circlips
17	C7917	Con rod - each	6	Second hand only
17a	C2361	Con rod nut	12	Special self-locking type
17b	C3944	Con rod bolt	12	
18	C16295	Big end bearings - state oversize required	Set	Sold as set of 12 halves
19	C16293 - 4	Main bearings - state oversize required	Set	Sold as set of 14 halves
20	C8619	Dynamo mounting bracket - later cars	1	From eng. G1908 onwards
20a	C8620	Dynamo mounting bracket - early cars	1	Up to eng. G1907
21	C4467	Engine mounting bracket rear RH	1	All cars
22	C4468	Engine mounting bracket rear LH	1	All cars
23	C7589	Engine mounting bracket front RH - Early cars	1	Up to eng. G1907
	C8784	Engine mounting bracket front RH - Later cars	1	From eng. G1908 onwards
24	C7590	Engine mounting bracket front LH - Early cars	1	Up to eng. G1907
	C8783	Engine mounting bracket front LH - Later cars	1	From eng. G1908 onwards
25	C2238/1	Front timing cover - Early cars	1	Up to eng. G1907
	C8614	Front timing cover - Later cars	1	From eng. G1908 onwards
27	C4794	Engine mounting	4	Same front and rear
27a	NS150/7D	Engine mounting to engine bracket bolt	4	
28	C15274E	Crankshaft damper - reconditioned	1	Exchange
29	C7275	Fan pulley on crankshaft	1	
30	C2467	Locking tab on crank pulley	1	
31	C4809E	Flywheel - refaced with new ring gear (132 teeth)	1	Exchange
31a	C4809RG	Flywheel ring gear	1	Specialist job to fit!!
31b	C1782	Dowel for locating clutch to flywheel	2	
32	C2226	Spigot bush in end of crank	1	
33	C4810	Locking washer for flywheel	1	
34	C4855	Flywheel set screw	10	
35	C2302	Cork seal at rear of sump	1	
36	C2306	Asbestos rope seal (front of sump)	1	To eng no. G1907
36a	C8593	Seal - front of sump	1	From eng no. G1908 onwards
37	C16319	Sump gasket	Pair	Sold as pair
37a	SGS1	Sump gasket set (conversion set) - Early cars	1	To eng no. G1907
37b	SGS4	Sump gasket set (conversion set) - Later cars	1	From eng no. G1908 onwards
38	C7484	Oil pump (early engines) - not available	1	To eng no. G1907
39	C8612	Oil pump (late engine)	1	From eng no. G1908 onwards
40	C2150	Oil pump/distributor drive shaft (early)	1	To eng no. G1907
	C8646	Oil pump/distributor drive shaft (late)	1	From eng no. G1908 onwards
41	C753	Woodruff key in oil pump shaft	1	
42	C2174	Bush on drive shaft (early)	1	To eng no. G1907
	C8647	Bush on drive shaft (late)	1	From eng no. G1908 onwards
43	C2152	Oil pump/distributor drive gear	1	Same - early & late
44	FG2421	Oil filter element	1	Original felt type
44a	PF2421	Paper oil filter element	1	As option
44b	137365	Sealing ring for oil filter canister	1	
45	118076	Pressure relief valve - use RVK1 kit	1	
46	137333	Rubber washer on oil filter bolt	1	
47	C4283	Crank plug	6	
48	C2466	Damper to crank cone	1	Second hand only
49	C2173	Spacer on crank	1	Second hand only
50	C2364	Drain plug for sump	1	
51	C2296/1	Copper washer for drain plug	1	
52	C9794	Rotors for late oil pump (for C8612 pump)	Set	Sold as 2 rotors
53	102256	Adapter screw for gauge take-off	1	
54	C3926	Copper washer for above	1	
55	C2248	Gasket oil filter housing to block	1	
56	160371	Oil pressure relief spring - use RVK1	1	
57	GMB10	Rear crank seal conversion	1	Complete with seals
58	C19654	Seal for crank seal conversion	1	In two halves
59	C2170	Timing gear on crankshaft	1	
60	C757	Woodruff key - front of crankshaft	4	
61	C5896	Bolt for crank damper	1	
62	C2468	Washer behind C5896 bolt	1	
63	C4466	Timing cover gaskets - Early engines	Pair	To engine no. G1907
	C8615	Timing cover gaskets - Late engines	Pair	From engine no. G1908
64	C2151	Lock tab for oil pump/Dist. drive shaft	1	
65	2740	Oil filter canister spring Early	1	To engine No. G6232
	6159	Oil filter canister spring Later	1	From engine No. G6233
66	C2157	Plug for oil gallery in rear of block	1	
67	C2296/3	Copper sealing washer for C2157	1	
68	LTS1	Engine lock-tab set	1	Complete set
69	C2439	Small-end bearings in con-rods	6	
70	C4302	Packing pieces (shims) for engine mounts	As req.	0.085" thick
71	C2314	Gear for oil pump drive	1	
72	C2283	Oil thrower for crankshaft	1	

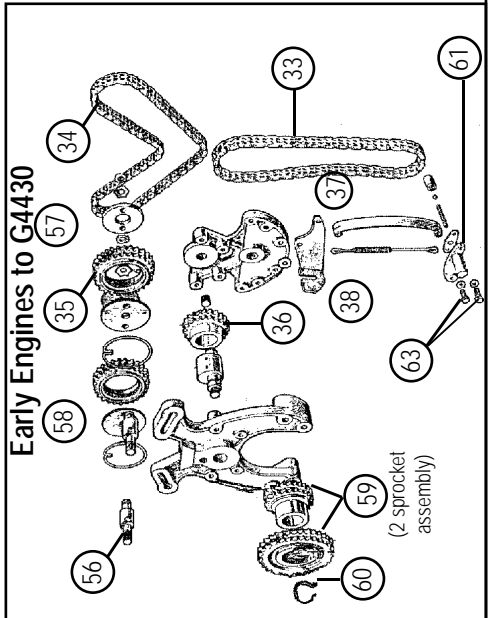
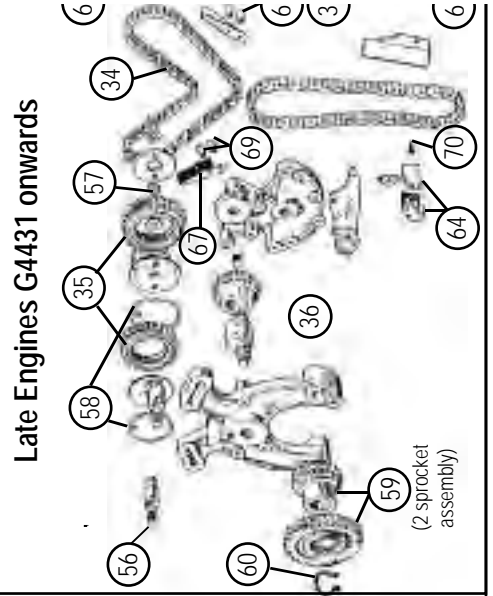
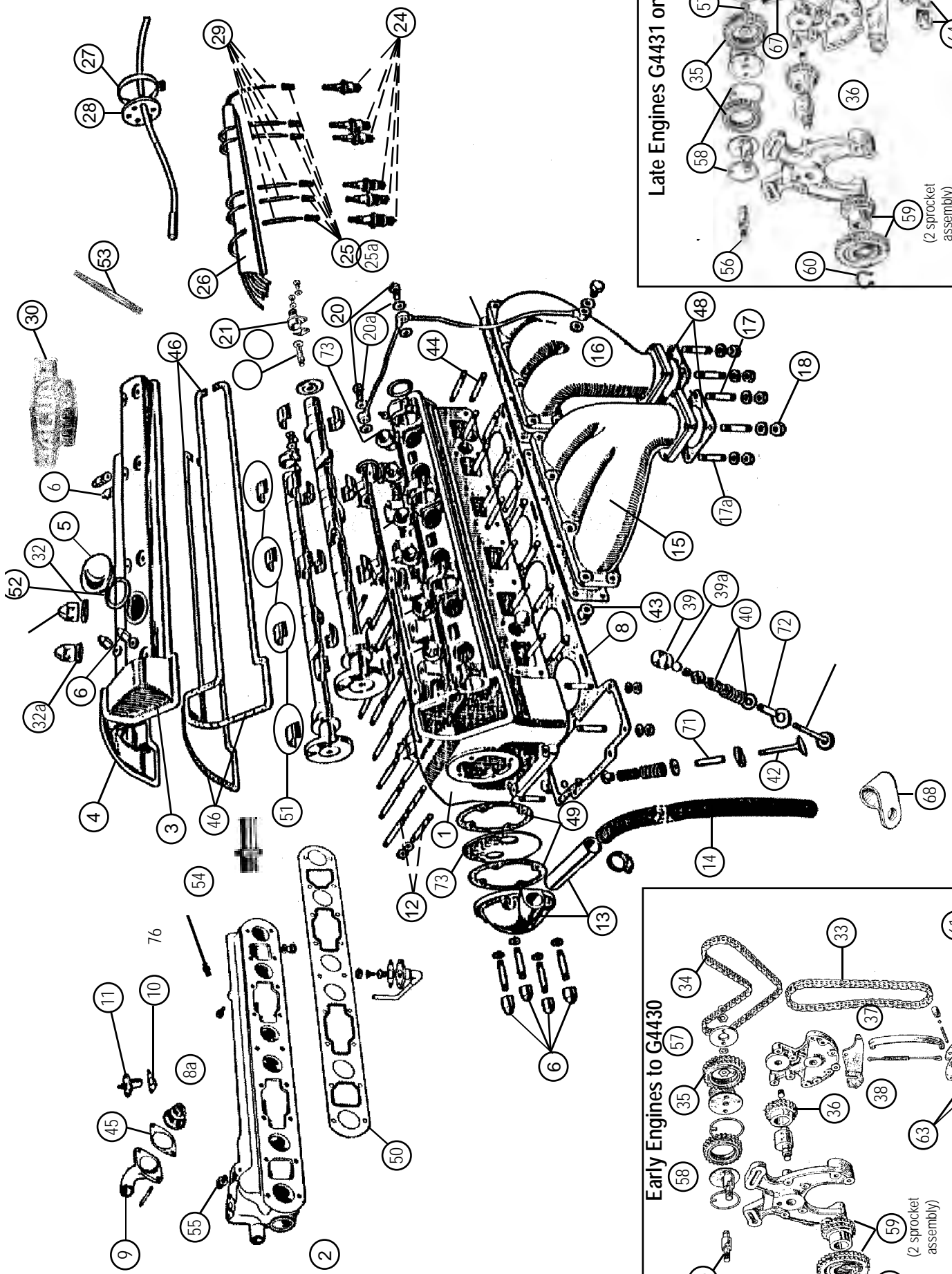
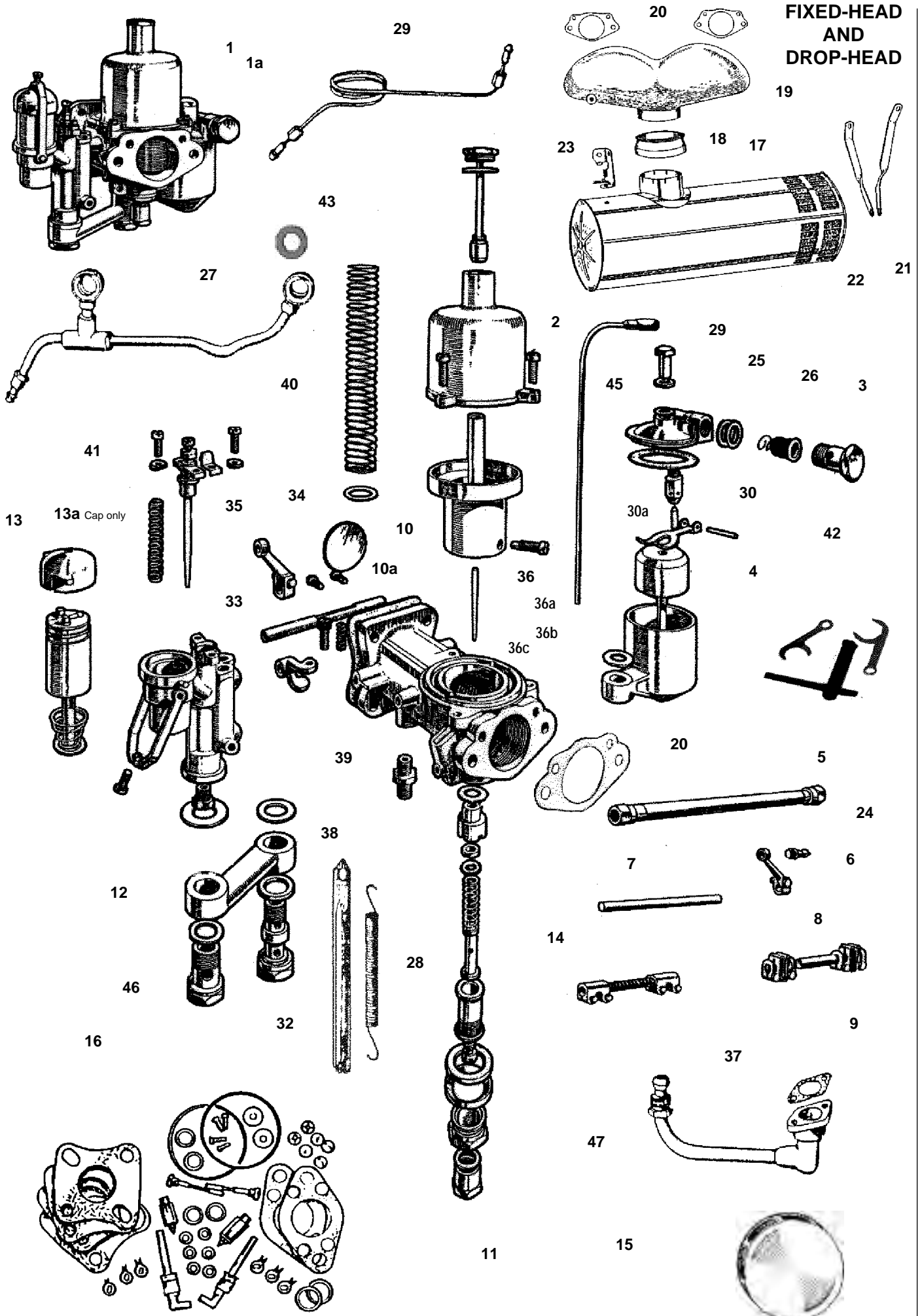


FIG 2

	PART #	DESCRIPTION	QTY REQ.	REMARKS
1	C6733	Cylinder head	1	Reconditioned available
	C7707	Cylinder head - "C" type	1	Reconditioned available
2	C7462	Inlet manifold	1	
3	C7185	Cam cover RHS	1	
4	C7186	Cam cover LHS	1	
5	C1022	Filler cap	1	
6	C2327	Cam cover/engine breather nuts	26	Chrome "Acorn" type
7	FW104E	Copper washers	26	
8	C7861	3.4 Head gasket only	1	
	HGS 34	3.4 Gasket set	1	Contains all gaskets for head
8A	C3731S	Thermostat - with band to close off by-pass	1	Works as original
9	C9619	Water outlet elbow	1	
10	C2475	Gasket	1	
11	C2474	Thermostat choke switch	1	
12	GMB140	Inlet manifold stud set	1	Sold as set of 18 pieces
13	C2389	Front breather	1	
14	C2485	Breather pipe	1	
15	C2213	Front exhaust manifold	1	
16	C2214	Rear exhaust manifold	1	
17	C2369	Stud in manifold flange	8	
17a	C2369S	Stainless steel stud in manifold flange	8	
18	NN137Q	Down pipe brass nut	8	
19	C5849	Oil pipe for cylinder head	1	
20	C5846	Oil pipe union banjo bolt	3	
20a	C4146	Copper washer for banjo's	6	
21	C2153	Rev counter adapter	1	
22	C2176	Rev counter adapter shaft	1	
23	C2428	Oil seal	1	
24	C2460	Spark plugs	6	Champion
25	HTC2	Spark plug end caps	6	Champion (Not suppressed)
25a	C5479	'Original' style plug end caps	6	(Not suppressed)
26	C2451	Conduit for HT leads	1	
27	C4982	Clip for HT spacer	1	Chrome plated
28	C4983	Spacer for HT leads (thick)	2	
28a	C4984	Spacer for HT lead (thin)	3	
29	C2431	HT leads (21ft per car)	1	Sold as car length (end caps not included)
30	C9099	Jaguar 'C' type cam cover badge	2	
31	C2328	Cylinder head chrome nut	14	
32	C2385	'D' washer for cylinder head nuts	12	Chromed
32a	FW207T	Chrome round washer for cylinder head nuts	2	Used at front of head
33	C2255	Bottom timing chain	1	
34	C2256	Top timing chain	1	
35	C2169	Cam shaft sprocket	2	
36	C2308	Idler sprocket	1	
37	C8245	Timing chain tensioner - early	1	To eng No. G4430
38	C4101	Spring for above - early	1	To eng No. G4430
39	C7213/1	Tappet	12	
39a	C2243	Tappet shims - state sizes when ordering	As required	0.085" to 0.110"
40	C7136/7	Valve springs - Car set, inners & outers	Set	6 inner springs & 6 outer springs
41	C8248	Inlet valve	6	
42	C8313	Exhaust valve	6	Standard head
	C7708	Exhaust valve	6	'C' Type head
43	NN131Q	Exhaust manifold to head nut	16	
44	C2325	Exhaust manifold to head stud	16	
45	C4985	Thermostat gasket	1	
46	C6735	Cam cover gasket	2	
47	C2318	Exhaust manifold gasket	2	
48	C495	Exhaust downpipe gasket	2	
49	C2227	Breather baffle gaskets	2	
50	C7619/1	Inlet manifold gasket	1	
50a	C7278	Inlet manifold gasket for 2" carbs.	1	
51	C2288	Set of cam shaft bearings	Set	Set of 16 halves
52	C419	Seal for oil filler cap	1	
53	C2326	Stud for cam covers & bearing caps	16	(Stepped stud)
54	C290	Heater take-off adapter	1	
55	C9621	Temperature sensor capillary adapter	1	
56	C2178	Guide pin for camshaft sprockets	2	
57	C2261	Circlip for C2178 guide pins	2	
58	C2193	Circlip for camshaft sprockets	2	
59	C2307/9	Intermediate sprocket assembly	1	(2 sprocket assy. comprises C2307 & C2309)
60	C2335	Circlip for timing chain shaft	1	
61	C2300	Oil sprayer gasket	1	To eng No. G4430
62	C4128/1	Timing gear front bracket	1	
63	NS125/5D	Set screw holding oil spray bracket	2	To eng No. G4430
64	C10332	Hydraulic timing chain tensioner	1	From eng No. G4431
65	C13614	Lower timing chain damper	1	From eng No. G4431
66	C13616	Upper timing chain damper - L/H	1	From eng No. G4431
67	C13617	Upper timing chain damper - R/H	1	From eng No. G4431
68	C1040/21	'P' clip for engine breather pipe	1	
69	C13660	Distance piece for upper dampers	4	From eng No. G4431
70	C13457	Gauze filter for C10332 tensioner	1	From eng No. G4431
71	C15509	Guide for inlet valve	6	
72	C15506	Guide for exhaust valve	6	
73	C7262	Guide for tappets	12	
74	C2390	Baffle on breather housing	1	
75	C2329a	Cam sprocket adjuster assembly	2	
76	C11490	Vacuum take-off adapter for screen washers	1	
77	C4204	Anti blow-back valve in starting pipe	1	
78	C7470	Spring for anti blow-back valve	1	
79	C7469	Gasket for starting pipe flange	1	
80	C7440	Carb. starting pipe	1	Second-hand
81	C2181	Seat for valve springs	12	
82	C5195	Manifold plug	2	Chrome plated
83	C2312	'O' ring, end of cam cover	2	

**FIXED-HEAD
AND
DROP-HEAD**



OVERHAUL KIT

FIG. 3

OPEN TWO-SEATER

	PART #	DESCRIPTION	QTY REQ.	REMARKS
1	C5185/6	Carburettors complete - REBUILT	Pair	To order
1a	C7096	H8 - 2" C-type sandcast carbs (pair)	1	140 'C' type head
2	C12280	Overflow pipe for front carb.	1	
	C12280	Overflow pipe for rear carb.	1	
3	C11488	Banjo bolt for float chamber	2	
4	1123	Carburettor float	2	
5	C3629	Flexible pipe assembly	1	
6	C8871	Lever on connecting shaft	1	
7	C5856	Connecting shaft between flexible coupling and bracket on scuttle	1	
8	4393/3	Shaft coupling front and rear carbs	1	
9	4334	Adaptor on shaft	2	
10	C7461	Carburettor insulating block	2	
10a	C2368	Carb. to manifold gaskets	4	
11	3160	Carburettor jet nut	2	
12	4758	Arm connecting thermostat body to carb	1	
13	6876	Solenoid for thermostat unit	1	
13a	4795	Solenoid plastic cap only	1	
14	C3597	Flexible coupling for rear carb	1	
15	C4496	Pancake type air cleaner	2	On roadster only
	C8484L	2" pancake type air filter (rear carb.)	1	140 'C' type head
	C8484R	2" pancake type air filter (front carb.)	1	140 'C' type head
16	CSK24	Carb overhaul kit	2	
	CRK240	Carb rebuild kit	2	Same as CSK24 but contains spindles & butterflies
17	C13069	Air cleaner assembly	1	
18	C1788	Seal - air cleaner to C8139	1	
19	C8139	Air intake casting	1	Second hand
20	C4475	Gaskets - front of carbs.	2	
21	C13073	Air cleaner front support bracket	1	FHC/DHC
22	"	Air cleaner front support bracket	1	FHC/DHC
23	C13072	Air cleaner rear support bracket	1	FHC/DHC
24	5658	Ball pin on lever C8871	1	
25	C11489	Fibre washer between filter and banjo bolt	2	
26	479	Float chamber filter	2	
27	C3810	Carb. feed pipe	1	
	C7289	Carb. feed pipe for 2" H8 sandcast carbs.	1	
28	C14366	Carb. return springs	2	
29	C2581	Distributor vacuum pipe	1	
30	WZX1102	Float chamber needle/seat & lid gasket set	2	
30a	386390	Special high spec. needle/seat only	2	Improvement on original
32	C14364	Bracket for carb return springs	2	Upated bracket supplied
33	3281	Throttle spindle on front carb.	1	
33a	4765	Throttle spindle on rear carb.	1	
34	3280	Throttle disc	2	
35	3120/1	Lever on throttle spindles	2	
36	SJ	Carb. mixture needle	2	All models with std. head
36a	W02	Carb. mixture needle	2	Cars with 'C' type head & C4496 air cleaners
36b	SR	Carb. mixture needle	2	Cars with "C" type head & C8133 air cleaner
36c	VR	Carb. mixture needle	2	Cars with "C" type head & 2" H8 carbs.
37	C7469	Starting pipe gasket	1	
38	4641	Banjo securing front float chamber and thermostat arm to carb body	1	
39	7106	Vacuum pipe union on carburettor	1	
40	7094	Piston return spring	2	
41	3127	Auxiliary starting needle spring	1	
42	AUE670	S.U. toolkit for adjusting carburettors	1	
43	C11489	Fibre sealing washer on carb feed pipe	4	
44	5832	Cap nut for float chamber	2	
45	7120	Carb. overflow aluminium washer	2	
46	4752	Carb. banjo bolt	1	
47	C7440	Carb starting pipe	1	S/hand only

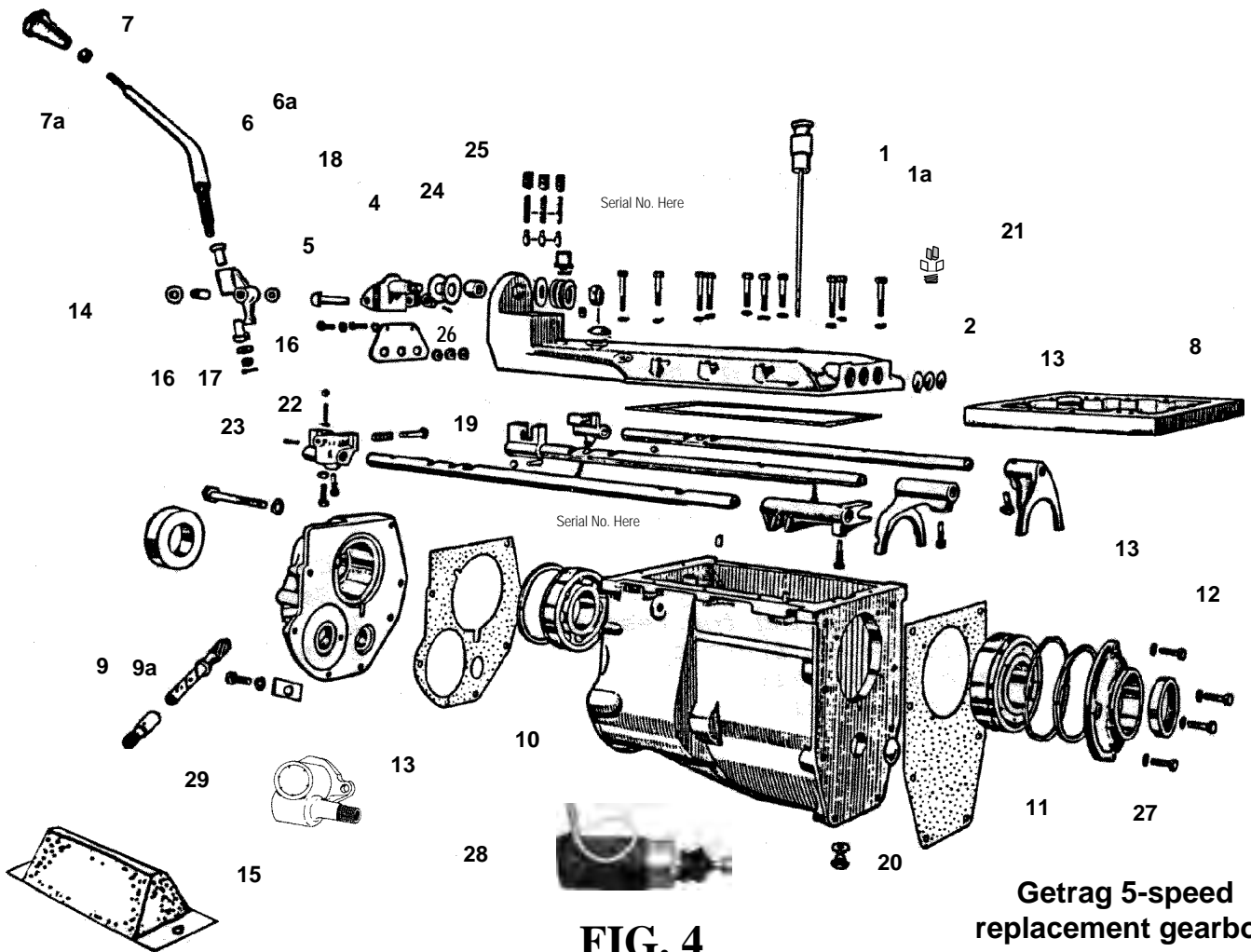


FIG. 4

Getrag 5-speed replacement gearbox

	PART #	DESCRIPTION	QTY REQ.	REMARKS
1	C2675	Dipstick - Non-overdrive cars	1	
1a	C6853	Dipstick - Cars with overdrive	1	
2	C6878	Gearbox top cover	1	Second hand only
-	Various	Complete rebuilt gearboxes	1	To order only - P.O.A.
4	C1913	Pivot jaw for selector lever	1	Second hand only
5	C1918	Selector lever	1	Second hand only
6	C2462	Gear lever (cranked)	1	
6a	C4054	Gear lever (straight)	1	
7	C2291	Gear lever knob	1	
7a	C1928	Lock-nut for gear knob	1	Chromed
8	C6851	Spacer for gearbox top	1	Overdrive cars only
9	C859	Rear oil seal - Non overdrive cars	1	
9a	7980	Rear oil seal - Overdrive cars	1	
10	C1845	Bearing for mainshaft	1	
11	C1838	Bearing for constant pinion shaft	1	
12	C6738	Oil seal - front of gearbox	1	
13	GMB2	Gasket set	1	
	GMB3	Overdrive gasket/seal kit	1	Overdrive cars only
14	C1915	Gear lever bush	2	
15	C8398	Overdrive bump stop	1	Overdrive cars only
16	C1908	Thrust washer for selector	2	
17	C1906	Bush in selector lever	1	
18	C1912	Pin to hold C1918 into C1913	1	
19	C929	Felt washer for striking rods	3	
20	C980	Fibre washer in gearbox case	1	
-	C1862	Thrust washer for c/shaft - state o/size req.	-	As required
-	C918	Needle rollers for countershaft	58	
-	C1850	Needle rollers in 2nd & 3rd gear on M/shaft	82	
-	C1843	Bearing inside constant pinion shaft	1	
21	C1083	Reverse and overdrive switch	-	1 for rev. light/1 for o/drive
22	FN405L	Slotted nut securing gear lever	1	
23	L103/8U	Split pin for gear lever	1	
24	C1894	Fibre washer on pivot jaw	2	
25	C1907	Bush for pivot jaw	1	
26	C1929	Double spring washer on pivot jaw	1	
27	Getrag2	5-speed replacement gearbox	1	Direct replacement all parts supplied except propshaft - see GP2
28	C7471	Overdrive solenoid	1	Overdrive cars only
29	8600	Speedometer angle drive	1	Overdrive cars only

3-in-1 Clutch Kit - C15821N

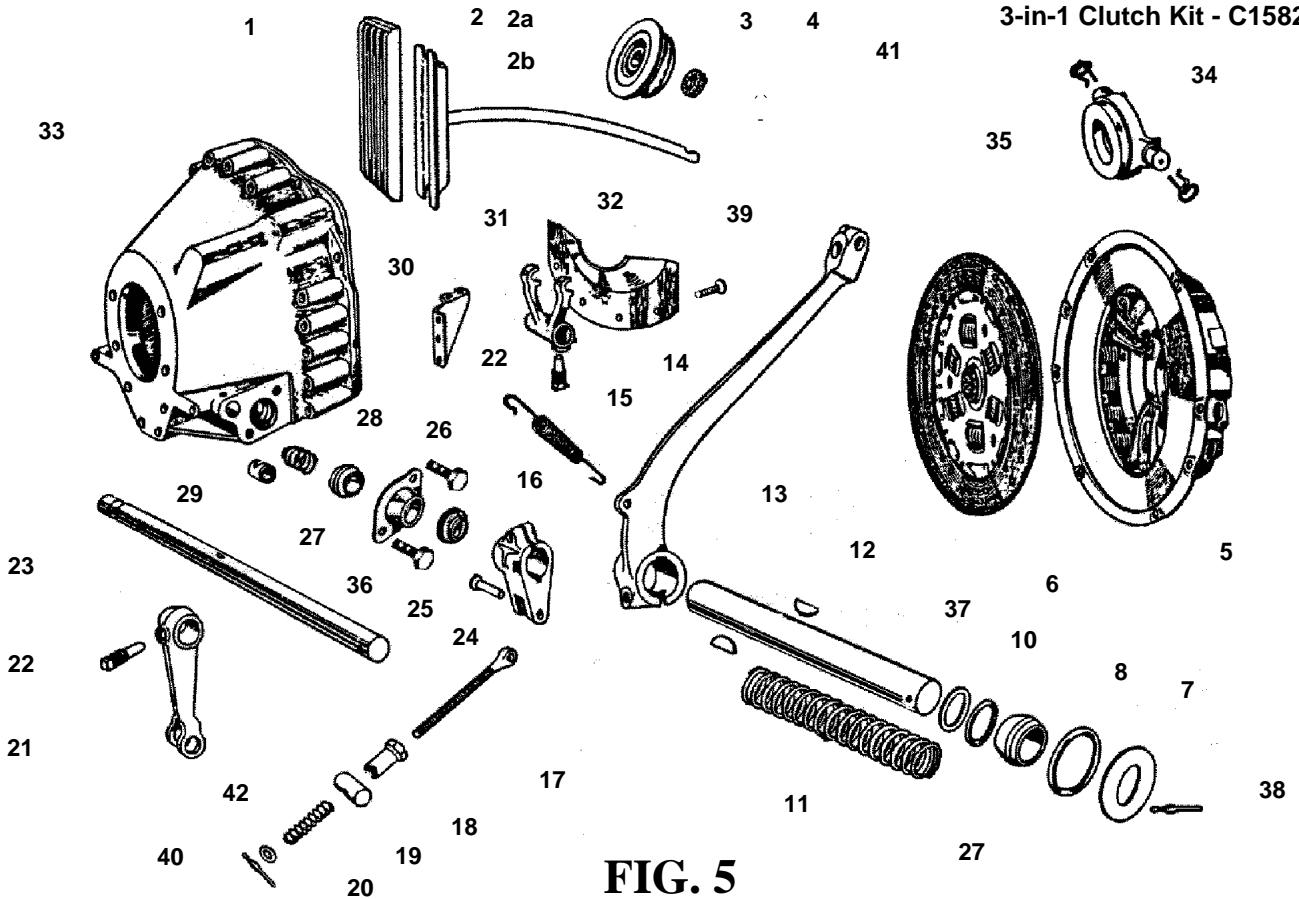


FIG. 5

140 - Issue 01 Rev. 02/04

PART #	DESCRIPTION	QTY REQ.	REMARKS
1	792 Rubber pedal pad	1	OTS/DHC only
	C9934 Rubber pedal pad	1	FHC only
2	C6913 Clutch pedal stem	1	OTS/DHC only
2a	C8880 Clutch pedal stem	1	FHC - RHD
2b	C8883 Clutch pedal stem	1	FHC - LHD
3	C8166 Grommet on pedal stem	1	DHC & Roadster only
4	C8299 Felt seal on pedal stem	1	
5	HA2521E Clutch cover (Exchange)	1	
6	HB1378E Clutch driven plate (Exchange)	1	
	C15821N 3 in 1 Clutch kit - outright sale	1	Comprised of plate, cover & thrust bearing Not FHC
7	C2420 Washer behind pedal shaft	1	
8	C3258 Sealing ring (large)	1	
10	C3257 Sealing ring (small)	1	
11	C3256 Spring	1	
12	C7582 Pedal shaft	1	Roadster & DHC - RHD
	C8877 Pedal shaft	1	FHC - RHD
	C7583 Pedal shaft	1	Roadster & DHC - LHD
	C9134 Pedal shaft	1	FHC - LHD
13	C757 Woodruff key on pedal shaft	2	
14	C7584 Clutch pedal arm	1	All Roadster/DHC - LHD and RHD
	C8877 Clutch pedal arm	1	FHC - RHD only
	C8878 Clutch pedal arm	1	FHC - LHD only
15	C3318 Pedal return spring	1	
16	C3260 Lever on clutch pedal shaft	1	
17	C2423 Adjusting rod	1	
18	C3266 Barrel nut	1	
19	C5180 Trunnion	1	
20	C4165 Spring	1	
21	C2483 Lever on operating shaft	1	
22	C568 Tapered pin	2	
23	C2429 Clutch operating shaft in clutch housing	1	
24	J105/13S Clevis pin	1	
25	C3323 Gaiter on pedal shaft - fits to C3267	1	
26	C3267 Housing, securing spherical bearing	1	
27	C3255 Spherical bearing for pedal shaft	2	
28	C3321 Inner spring behind bearing	1	
29	C584 Bush in clutch housing	2	For C2429 cross shaft
30	C4795 Support bracket RH side	1	
	C4796 Support bracket LH side	1	
31	C9780 Clutch fork	1	
32	C5072 Cover plate at rear of clutch housing	1	
33	C5068 Clutch housing	1	
34	4163 Retainers for release bearing	2	
35	HD3306 Release bearing	1	
36	CS131/5D Set screw for bearing housing	2	
37	C3295 Washer on clutch pedal shaft	2	RHD OTS & DHC only
38	L104/12U Split pin	1	
39	CS125/5D Set screw for C5072	4	
40	L103/7U Split pin	1	
41	C8301 Circlip for pedal stems	2	On brake & clutch pedals
42	FW105T Flat washer	1	On adjusting rod

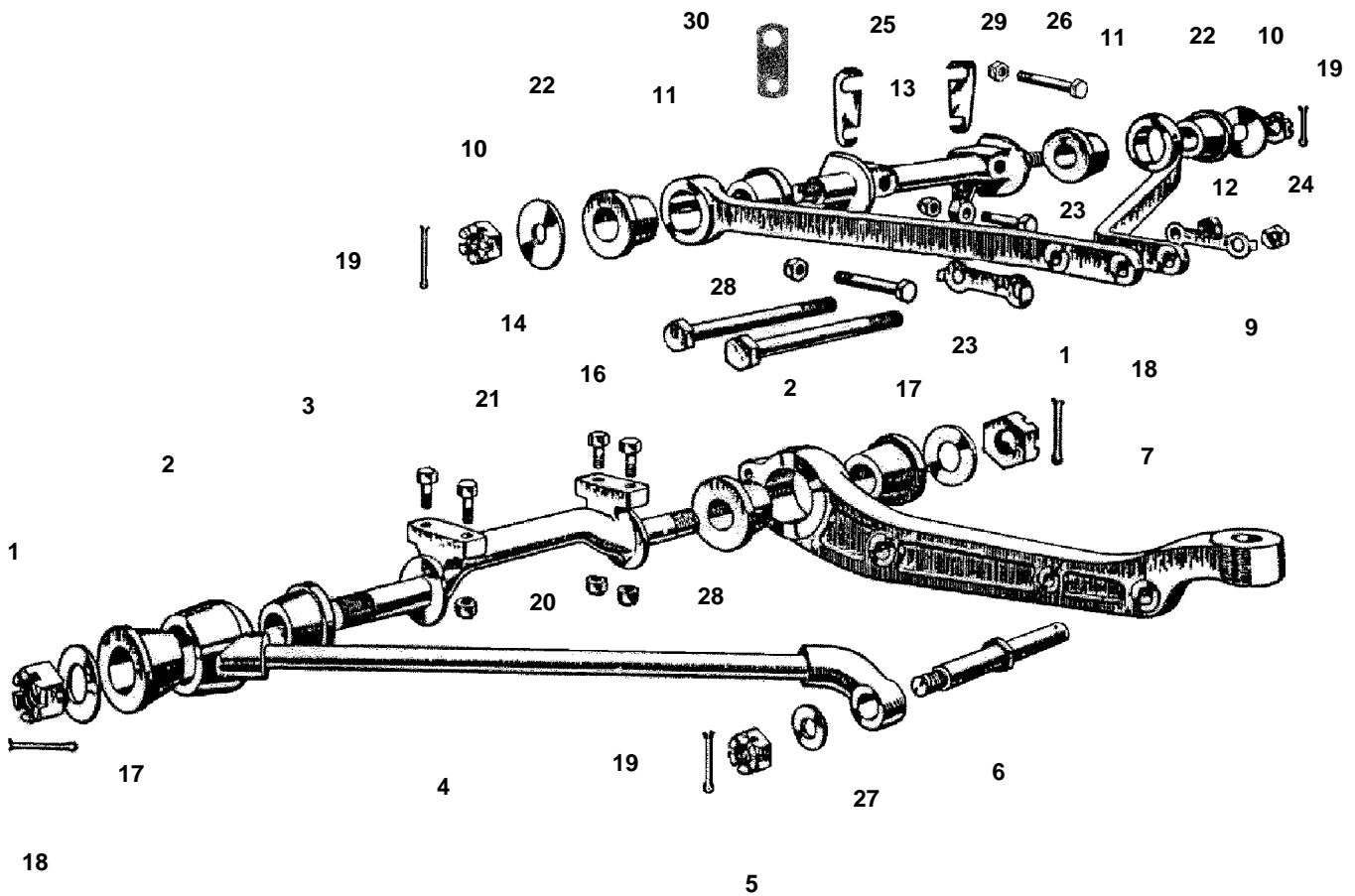


FIG. 6

PART #	DESCRIPTION	QTY REQ.	REMARKS
1	C3010/2 Slotted nut for lower wishbones	4	
2	C3021 Bush for lower wishbones	8	
3	C3019 Shaft supporting lower wishbones	2	Second hand only
4	C3013 Wishbone lever - lower front	2	Second hand only
5	NN756L Nut for lower wishbone levers	2	
6	C3018 Pin for lower wishbone & shock absorber	2	
7	C4805 Wishbone lever - lower rear LH	1	Second hand only
	C4804 Wishbone lever - lower rear RH	1	Second hand only
9	C3007 Locking plate for upper balljoints	4	
10	C3010/1 Nut for upper wishbones	4	
11	C3003 Metalastic bush	8	
12	C4733 Wishbone lever - upper rear	2	Second hand only
13	C8123 Shaft supporting upper wishbone levers	2	Second hand only
14	C4739 Wishbone lever - upper front	2	Second hand only
16	NB137/27D Bolt for upper ball joint	4	
17	C3114 Washer for lower wishbone	4	
18	L105/12U Split-pin for lower wishbone	4	
19	L104/10U Split-pin for wishbones	6	
20	NB137/10D Bolt - lower wishbone to chassis	4	
21	C3653 Bolt- lower wishbone to chassis	4	Special shouldered bolt
22	C3193 Washer for top wishbone	4	
23	NB137/14D Upper wishbone shaft bolt	4	For lower bolt holes
24	NN137L Nut for ball joint bolts	4	
25	C3166/1 Camber adjusting shim	As req.	0.054 thick
	C3166/2 Camber adjusting shim	As req.	0.048 thick
	C3166/3 Camber adjusting shim	As req.	0.036 thick
26	C8060 Upper wishbone shaft bolt	4	For upper bolt holes
27	C794 Washer for lower wishbones	2	
28	C8150/7 Self-locking nut	12	For upper & lower w/bone support
29	C8150/9 Self-locking nut	4	For upper w/bone support
30	C9575 Packing piece for top wishbone to chassis	4	For wheel camber

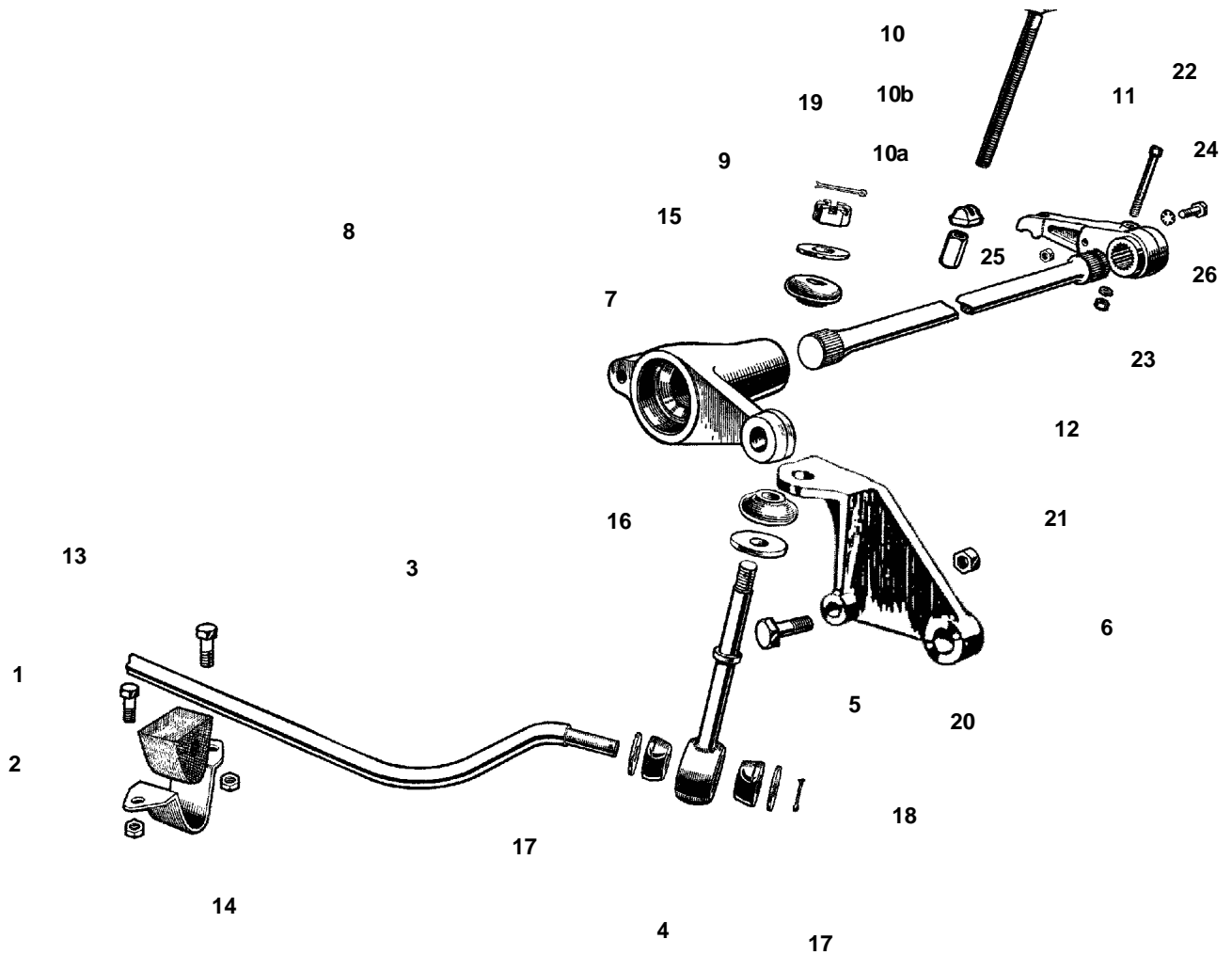
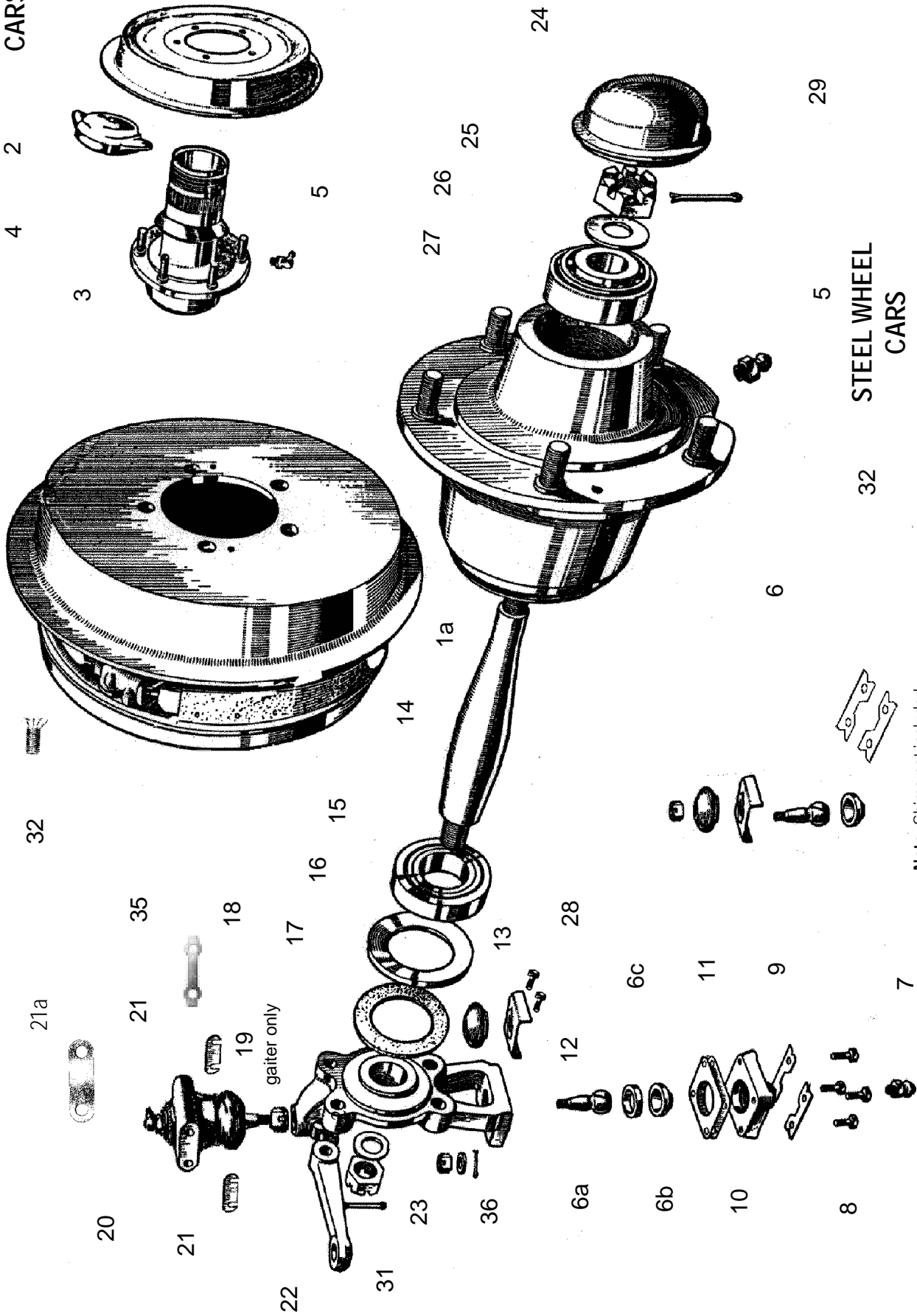


FIG. 7

	PART #	DESCRIPTION	QTY REQ.	REMARKS
1	C4349	A.R.B. to chassis Rubber	2	
2	C3054	A.R.B. Clamp	2	Clamps C4349
3	C7220	Anti-roll Bar	1	New originals
	C7220/1	Up-rated 7/8" bar inc. 2 'D' bushes	1	Heavy duty
4	C3050	Bush on A.R.B. link - lower	4	
5	C3049	A.R.B. Link	2	Refurbished originals
6	C3058	Anchor Bracket - L/Hand	1	Second hand only
	C3057	Anchor Bracket - R/Hand	1	Second hand only
7	C3047	Torsion Bar Front Flange	2	Second hand only
8	C3053	Bush on A.R.B. link - upper	4	
9	NN743L	Castle Nut on A.R.B. link	2	
10	C3096	Adjusting Bolt for torsion bar	2	Bolt Only
10a	C3097	Adjusting Nut for C3096	2	Nut Only
10b	C3098	Trunnion for C3096	2	Trunnion Only
11	C3462	Torsion bar lever - L/Hand	1	Second hand only
	C3461	Torsion bar lever - R/Hand	1	Second hand only
12	C5720	Torsion bar - L/Hand	1	Second hand only
	C5719	Torsion bar - R/Hand	1	Second hand only
	C5719/20SS	Stainless steel torsion bars	Pair	New - high quality
13	NB137/6D	Bolt for C3054 A.R.B. clamp	4	
14	NN137L	Nut for NB137/6D bolt	4	
15	C3052	A.R.B. link top washer	2	
16	C793	A.R.B. link washer	2	
17	C3052	A.R.B. link lower washer	4	
18	L105/10U	Split-pin - end of A.R.B.	2	
19	L103/8U	Split pin on top of A.R.B. link	2	
20	NB137/16D	Bolt for anchor bracket	2	
21	NN137L	Nut for NB137/16D bolt	2	
22	NB137/20D	Bolt for torsion bar levers	2	
23	NN137L	Nut for NB137/20D bolt	2	
24	NB131/13D	Bolt clamping torsion bar levers to chassis	2	
25	NN137L	Nut for clamp bolts	2	

WIRE WHEEL CARS



Note: Shimms not included.
See C3026/1 or C3026/1S

FIG. 8

	PART #	DESCRIPTION	QTY REQ.	REMARKS
1	C6024	Brake drum (dished) for wire wheel cars	2	
1a	C7228	Brake drum for steel wheel cars	2	
2	C1102	Spinner for RHS	1	
	C1103	Spinner for LHS	1	
3	C6277	Stud/nut/washer for hubs	10	Wire wheel cars only
4	C6020	Splined front hub R/Hand	1	Wire wheel cars only
	C6021	Splined front hub L/Hand	1	Wire wheel cars only
5	C3076/1	Grease nipple in front hub	2	
6	C8324K	Lower ball joint kit	2	Contains parts as pictured
6a	C8324	Ball pin - only	2	
6b	C12557	Cup for lower ball pin - NYLON type	2	<u>(Replaces brass cup & spigot)</u>
6c	C3024	Spigot over ball pins - NOT AVAILABLE	2	This is not required with modern (C12557) ball pin cup - only if original shallow type cup is used.
7	C3362/1	Grease nipple in ball socket cap	2	
8	NS137/9H	Set screw securing cap to housing	8	
9	C3028	Plate locking set screws	4	
10	C3023	Cap - containing ball socket	2	Second hand only
11	C3026/1	Shim between housing & ball socket cap	As req.	.005" thick
	C3026/1S	Thicker shim for above (as option)	As req.	.010" thick
12	C8326	Gaiter retaining plate for ball pin	2	
13	C8325	Gaiter for ball pin	2	
14	C3008	Stub axle shaft	2	New - not handed
15	C3011	Inner hub bearing	2	
16	C614	Cover plate over grease retainer	2	
17	C615	Felt grease retainer on stub axle shafts	2	
18	C3606/ C3009	Stub axle carrier	2	No difference LH or RH
19	C8325	Rubber seal between ball joint housing and stub axle carrier	2	
20	C15890	Upper ball joint	2	Complete assembly
21	C3169	Shim - wheel castor adjustment between housing & rear upper wishbone levers	As req.	
21a	C4740	Castor distance piece (if required)	As req.	1/4" thick
22	C8467	Steering arm - R/Hand	1	Second hand only
	C8468	Steering arm - L/Hand	1	Second hand only
23	C3010/2	Nut - securing stub axle shaft to carrier	2	Slotted
24	C3039	Cap for hub	2	
25	C3010/1	Nut - securing hubs & bearings to stub axle shafts	2	Slotted
26	C3400	"D" washer under nut on front hub	2	
27	C3012	Outer hub bearing	2	
28	C3818	Screws for gaiter retaining plate	8	
29	L104/10U	Split-pin for hub nut	2	
30	C3078	Screw retaining brake drum to hub	4	Steel wheel cars only
31	L105/12U	Split pin for stub axle to carrier	2	
32	C3037	Front hub for steel wheels	2	Second hand only
33	C8327	Wire clip for ball pin gaiters	4	
34	C3114	Washer behind stub axle	2	
35	C3007	Top ball-joint lock-tab	4	

WIRE WHEEL CARS

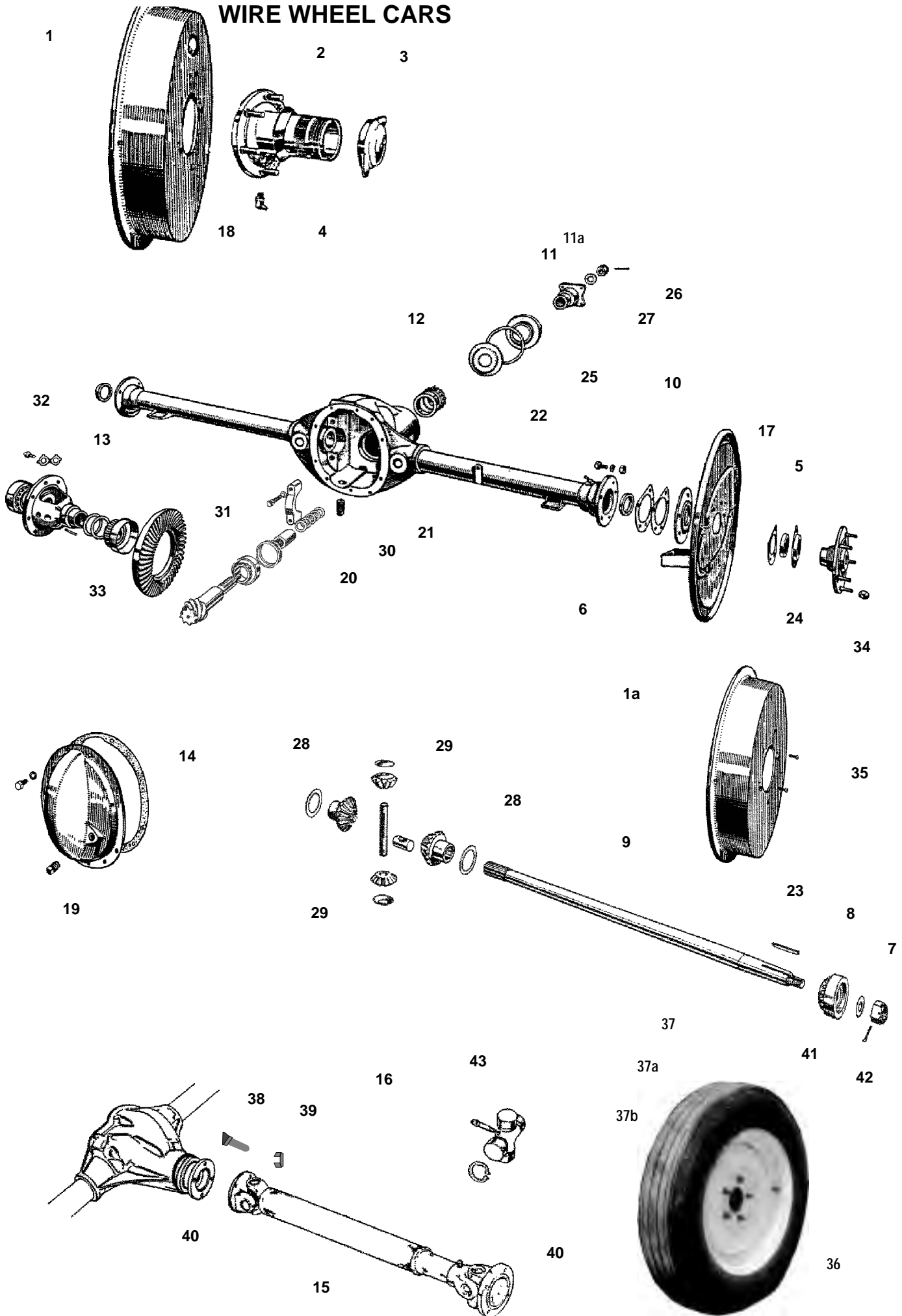


FIG. 9

	PART #	DESCRIPTION	QTY REQ.	REMARKS
1	C6025	Brake drum (for wire wheeled cars)	2	
1a	C7228	Brake drum (for disc wheeled cars)	2	
2	C6022	Splined hub for RH rear	1	
	C6023	Splined hub for LH rear	1	
3	C1102	Wheel spinner - R/H	1	
	C1103	Wheel spinner - L/H	1	
4	C3362/1	Grease nipple	2	
5	C1481	Oil seal on back plate (rear hub seal)	2	Oil seal only
6	3848	Oil seal for shaft in end of carrier tube	2	
7	131	Slotted nut on axle shaft	2	
8	3846	Hub bearing	2	
9	3924	Rear axle shaft	2	
10	2HA - 050	Shim for hub bearing	As req.	.003"
	2HA - 051	Shim for hub bearing	As req.	.005"
	2HA - 052	Shim for hub bearing	As req.	.010"
11	3840L	Oil seal on pinion - Leather	1	
11a	3840	Oil seal on pinion - Rubber	1	As option to leather
12	3843	Roller bearing at outer end of pinion	1	
13	3845	Roller bearing on diff case	2	
14	3931	Cover gasket	1	
15	C7522	Prop shaft (for non o/drive cars)	1	No overdrive
	C8259	Prop shaft (for overdrive cars)	1	Overdrive
16	46	Prop shaft universal joint	2	
17	C1483	Paper gasket on rear hub seal plate	2	
18	C6277	Stud/ nut/washer for hub	20	Wire wheel cars
19	3823	Top-up plug in diff cover	1	Second hand only
20	3844	Bearing on inner pinion	1	
21	3823	Drain plug in diff housing	1	Second hand only
22	C3362/1	Grease nipple	2	
23	C7356	Key in half shaft	2	
24	C1480	Holder for C1481 oil seal	2	Second hand only
25	3841	Pinion gasket ring	1	
26	115	Nut for pinion flange	1	
27	114	Washer for pinion flange	1	
28	3855	Thrust washer for side gears	2	
29	3854	Thrust washer for pinion mate gears	2	
30	3857	Shim to adjust pinion - outer	As req.	0.005"
	3838	Shim to adjust pinion - outer	As req.	0.010"
31	3860	Shim to adjust pinion - inner	As req.	0.003"
	3861	Shim to adjust pinion - inner	As req.	0.005"
	3862	Shim to adjust pinion - inner	As req.	0.010"
32	6316	Lock strap for crown wheel screws	5	
33	3936	Shim to adjust differential	As req.	0.005"
	3937	Shim to adjust differential	As req.	0.010"
34	C3041	Wheel nut for steel wheels	20	
35	C3078	Screw for brake drums	4	Steel wheel cars only
36	C6749	5.1/2" steel wheel	5	Second hand only
37	C3760	Dunlop "Roadspeed" tyre	As req.	Cross-ply as original
37a	AVON	Avon "Turbosteel" radial tyre	As req.	"VR" rated
37b	MICH	Michelin "X" radial tyre	As req.	"SR" rated
38	C3308	Propshaft bolt	8	
39	Nylock3/8	Nyloc nut for propshaft yoke	8	
40	12	Flange for propshaft yoke	2	NEW
41	133	Washer on end of half-shaft	2	
42	L104/12U	Splitpin in end of halfshaft	2	
43	248	Grease nipple (long) for propshaft universal joint	2	

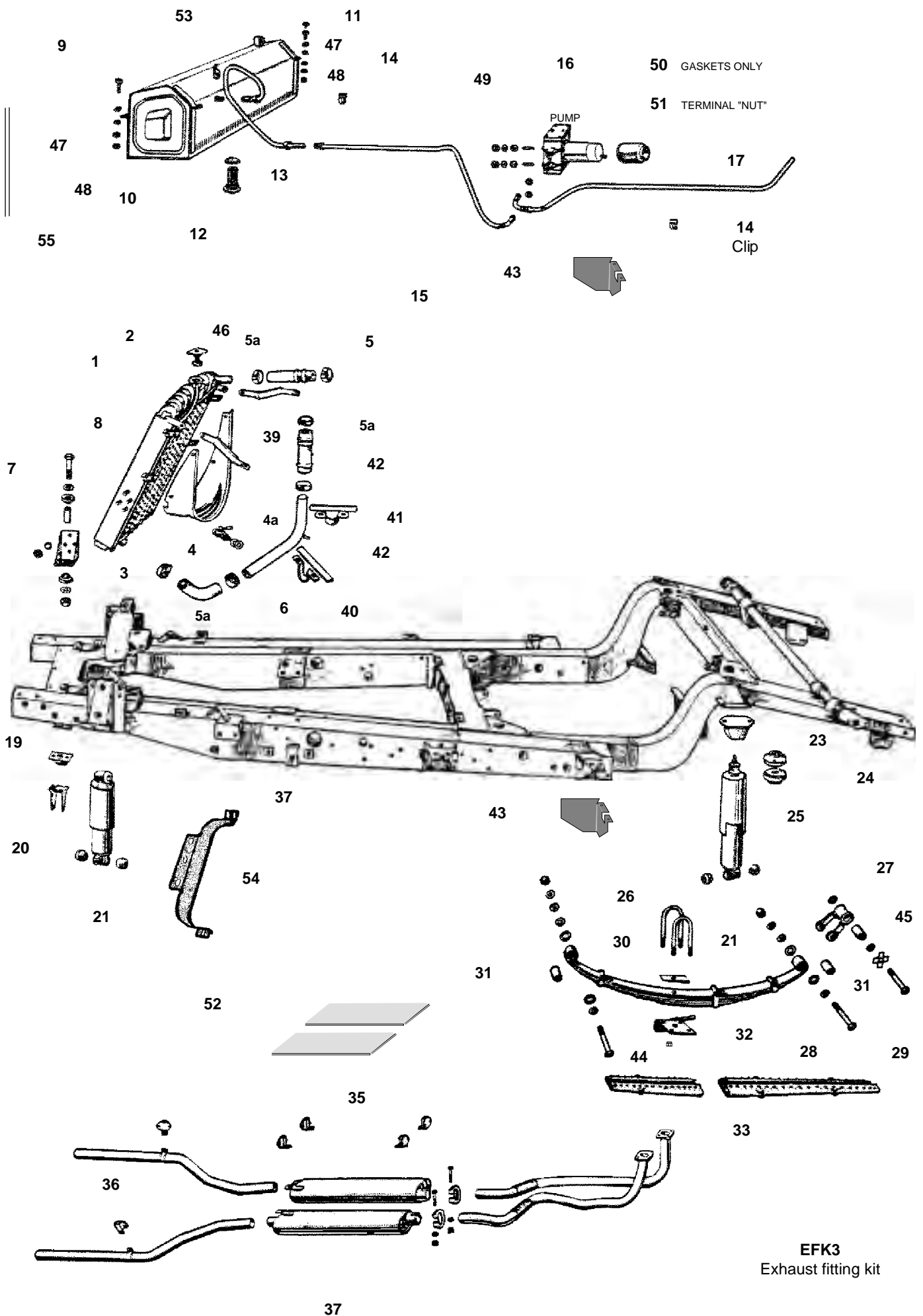


FIG. 10

	PART #	DESCRIPTION	QTY REQ.	REMARKS
1	C7523E	Radiator Early 140	1	Exchange only
	C9616E	Radiator Late 140	1	Exchange only
	C9616AL	Radiator in aluminium	1	Not original Jaguar
2	C3455	Radiator cap Early - (4lbs pressure)	1	Early - 2.3/4" O.D.
	C10289	Radiator cap Late - (4lbs pressure)	1	Late - 2.1/4" O.D. (Winged)
3	C7651	Radiator cowl - in aluminium	1	As original
	C7651FG	Radiator cowl - in fibreglass	1	Good copy!
4	C980	Drain tap	1	
4a	C784	Fibre washer on drain tap	1	
5	HK140	Hose kit	1	9 Piece set
5a	HCK140	Set of hose clips	Set	Car set - 18 clips
6	C7547	Metal water pipe	1	
7	C8975	Rubber rad. mounting pad	4	
8	C8830	Mounting bracket on rad sides	2	
9	C8369	Bolt securing fuel tank	2	
10	C14403	Fuel tank	1	
11	C8368	Stud securing fuel tank	2	
12	C990/1	Fuel filter/tank bung	1	
13	C1617	Washer on filter	1	
14	C3727	Clip secures fuel pipes to chassis	5	
15	FPK140	Fuel pipe kit	Set	3 Piece set
16	C9688E	Fuel pump - EXCHANGE	1	Original square base type
16a	C9688	Fuel pump - OUTRIGHT	1	Original square base type
16b	AZX1319	Fuel pump - OUTRIGHT	1	Non-original round base type
17	C2839	Rubber cover over fuel pump	1	
19	C3036	Front suspension bump stop	2	
20	C8007	Front shock absorber	2	Standard type
20a	SPA2	Spax front shock absorber	2	Adjustable <u>on</u> car
20b	KON2	Koni front shock absorber	2	Adjustable <u>off</u> car
21	C3273	Shock absorber 'eye' bush - Also in Polyurethane	12	8 on front - 4 on rear
22	1048/A	Jack socket plug in chassis	4	
23	C3208	Rear suspension bump stop	2	
24	C3053	Rubber buffer - top of rear shock absorbers	4	Also available n Polyurethane
25	C8008	Rear shock absorber	2	Standard type
25a	SPA3	Spax rear shock absorber	2	Adjustable <u>on</u> car
25b	KON3	Koni rear shock absorber	2	Adjustable <u>off</u> car
26	C7752	Axle spring "U" bolt	4	
27	C640	Rear spring shackle	2	
28	C5721	Rear road spring	2	7 leaf - with bushes fitted
29	NB143/28F	Bolt for road spring and shackles	6	
30	C3186	Taper wedge for road spring	2	Between spring & axle
31	C11821	Spring & shackle bush	6	Note: bushes come fitted to C5721 spring
32	C7753	Plate under RH spring	1	
	C7754	Plate under LH spring	1	
33	C3877/8	Spring gaiter set	Car set	4 pieces & includes laces
35	1363	Silencer rubber mountings	4	(or see RFK kit)
36	C8397	Tail pipe rubber mountings	2	(or see RFK kit)
37	BD2070	Body mount fibre washers	As req.	Approx. 20 per car
38	EX150T	Dual exhaust system - stainless steel	Set	Sold as set only
	EX150MT	Dual exhaust system - mild steel	Set	Sold as set only
	AS303/4H	Petrol tank sender screws	6	For original tank - 3BA
	SC104121	Screws holding petrol tank sender unit	6	For repro tanks - metric
39	C7567/92	Radiator tie rods Early	Pair	(1 long - 1 short rod)
	C9618	Radiator tie bar Late	2	
40	C8025	Lower radiator pipe clamp	1	
41	C8026	Lower radiator pipe clamp (angled)	1	
42	C8027	Rubber packing for water pipe	2	Between clips & pipe
43	C8010	Petrol pump shield	1	
44	Nylock 1/2	Nut for 'U' bolt	8	Self locking type nut
45	C3651	Lock-tab in spring shackle	2	
46	BT	Pipe for rad. o/flow & petrol tank breather	1	As necessary
47	NN131L	Nut for fuel tank studs	4	
48	NN231L	Lock nut on fuel tank studs	4	
49	FPMK	Fuel pump mount kit	1	
50	AUA4646	Fuel pump end gasket	2	
51	AUA869	Terminal "nut" on petrol pump	1	
	EFK3	Exhaust fitting kit	1	Comprised of: 2 gaskets - 8 brass nuts - 6 rubber mounts - 4 clamps.
52	BD9409/10	Silencer heat shields - pair	1	Pair per car
53	BD4368	Fuel filler pipe	1	From filler to tank
54	C8618	Shield for bottom hose/pipe	1	Under front chassis
55	BT	Breather tube for petrol tank	1	Sold in 3ft. length

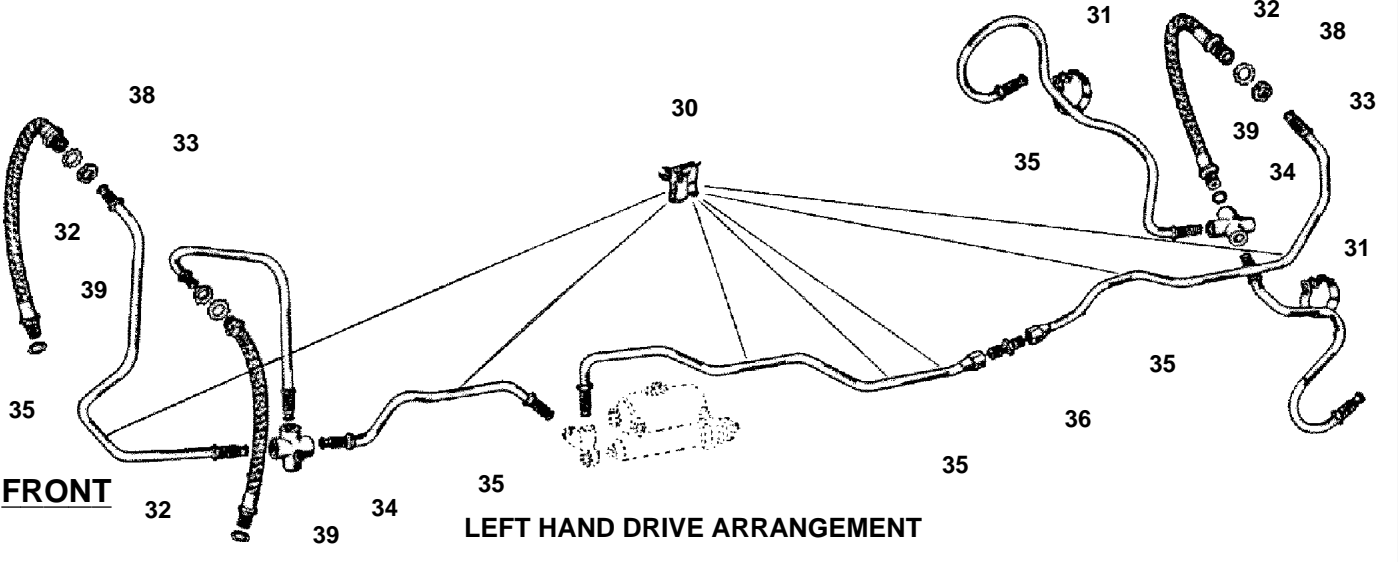
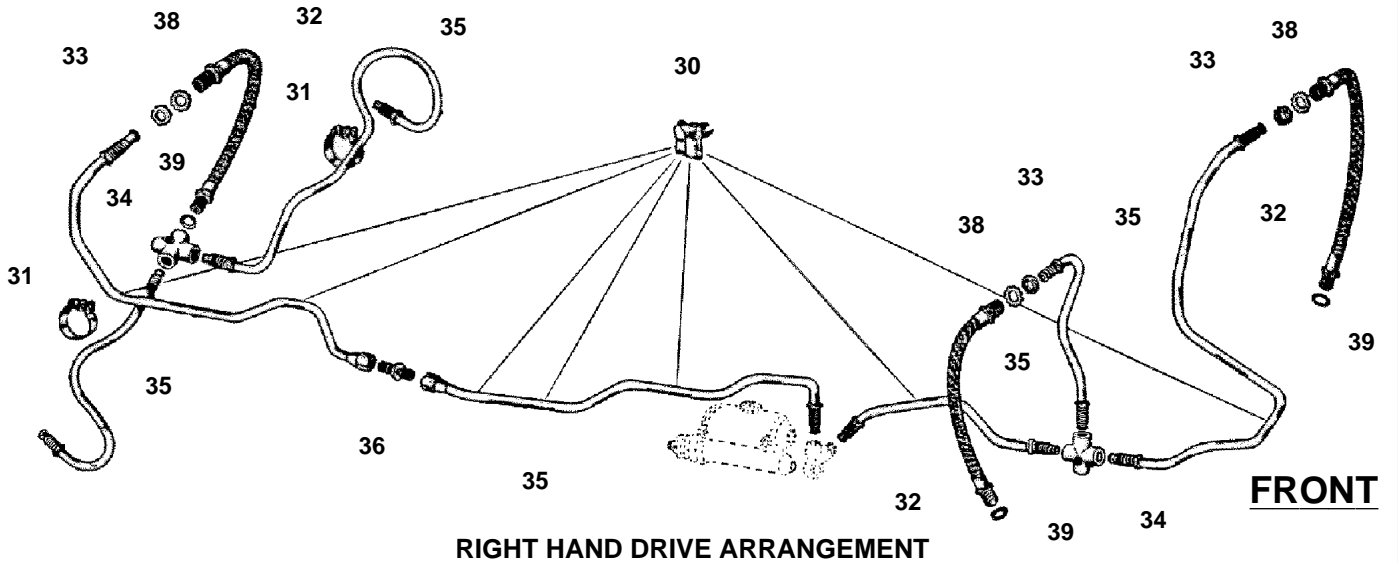
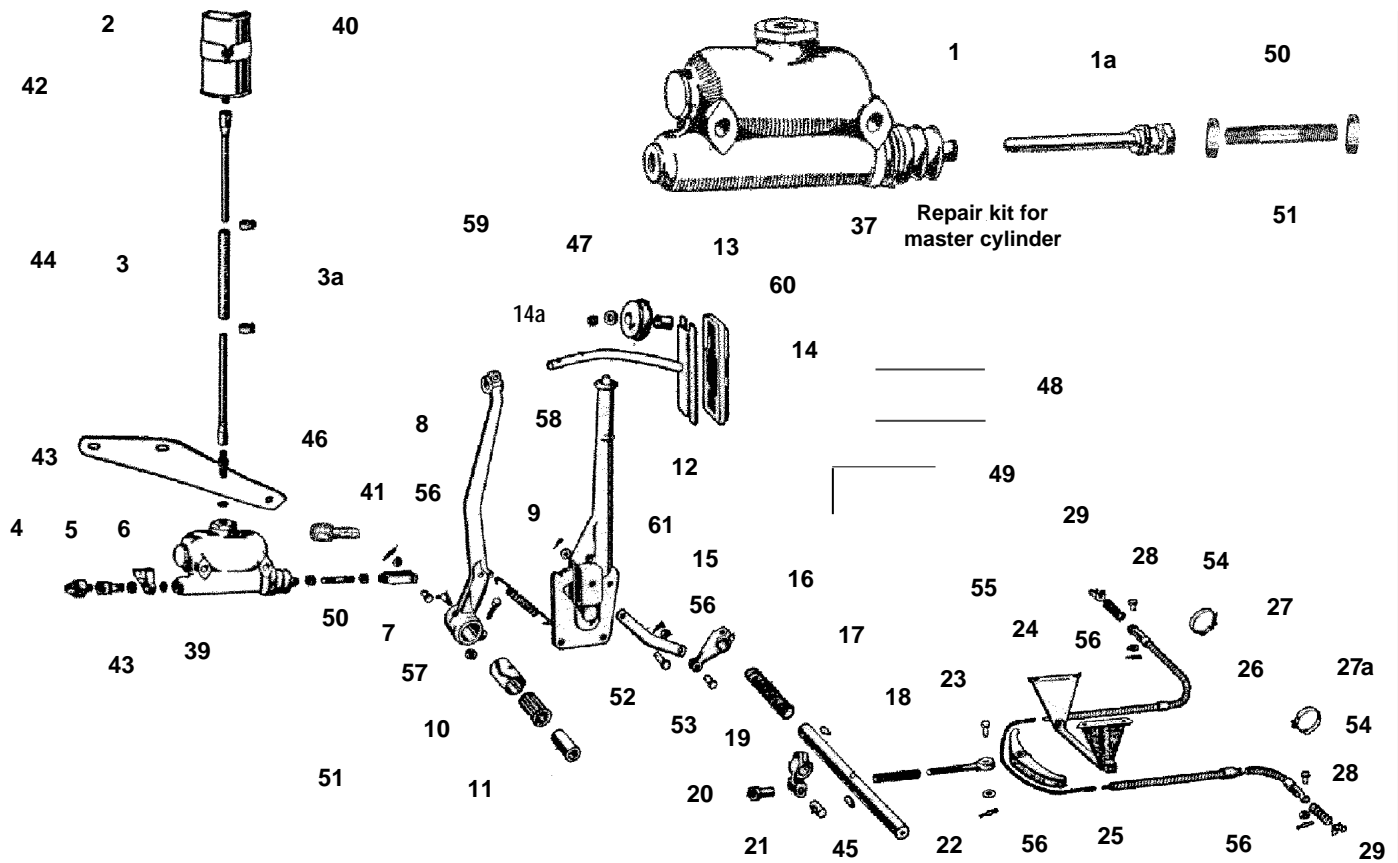
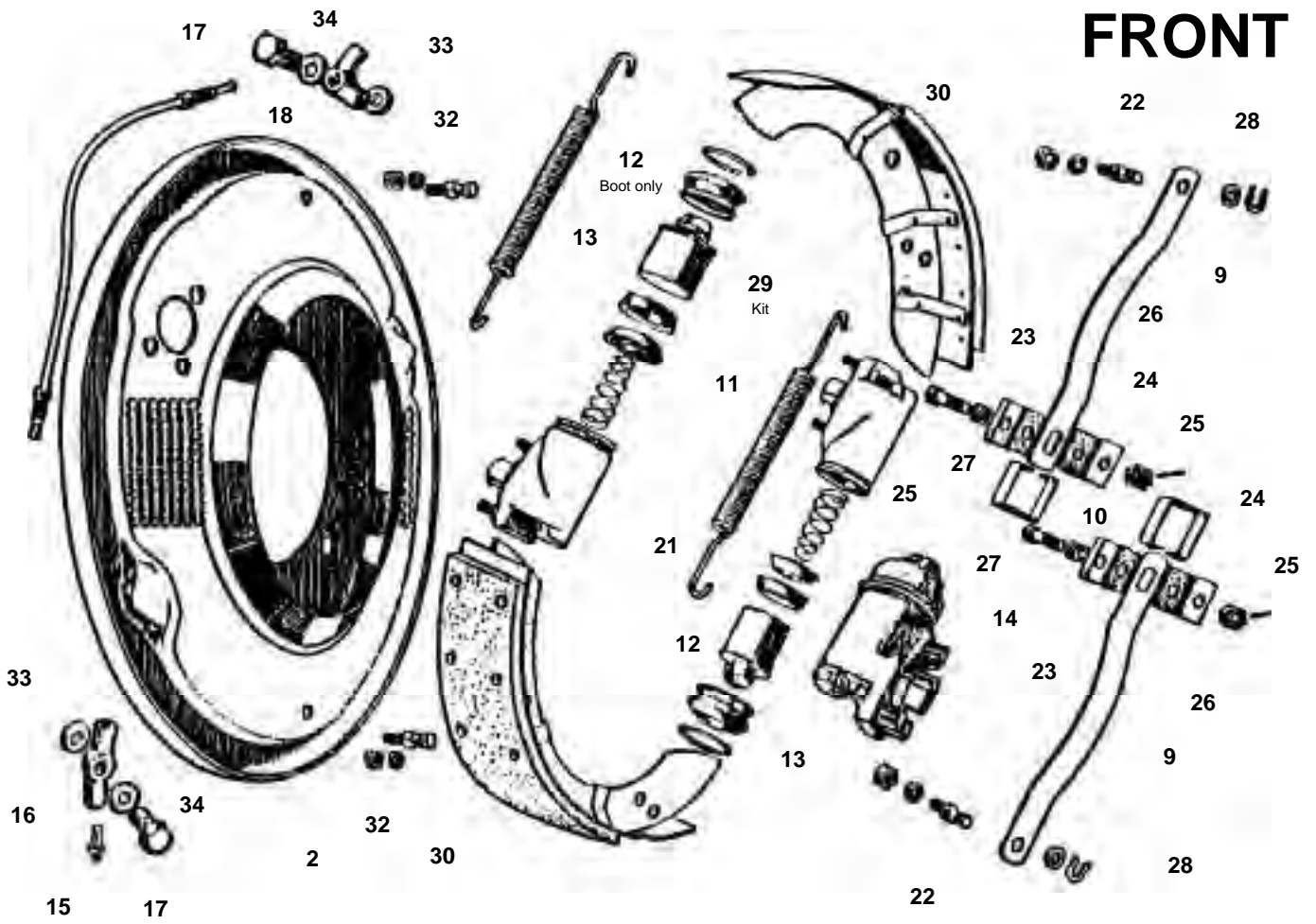


FIG. 11

	PART #	DESCRIPTION	QTY REQ.	REMARKS
1	C8302	Brake master cylinder	1	Complete minus 39217 push rod
1a	39217	Master cylinder push rod	1	Fits into master cylinder
2	C8565	Brake fluid supply tank	1	
3	C3730	Low pressure hose	1	
3a	K1	Hose clip	2	
4	C5218	Switch, operating stop light	1	
5	C3900	Hollow banjo bolt	1	Special for C5218 Switch
6	C8562	Banjo on outlet od master cylinder	1	2-way
7	C6761	Fork - connecting pedal to master cylinder	1	
8	C7549	Brake pedal RHD	1	Roadster/DHC
	C7550	Brake pedal LHD	1	Roadster/DHC
	C8868	Brake pedal RHD	1	FHC
	C10348	Brake pedal LHD	1	FHC
9	C4801	Return spring for pedal	1	
10	C3223	Roller bearing in pedal boss (inc. outer sleeve)	1	
11	C3224	Sleeve inside roller bearing	1	
12	C8314	Handbrake lever - RHD cars	1	
	C8315	Handbrake lever - LHD cars	1	
13	C8166	Rubber grommet for pedal stem	1	Roadster/DHC only
14	792	Pedal Pad - 5.1/2" long	1	Roadster/DHC
	C9934	Pedal Pad - 4" long	1	FHC only
14A	C7782	Pedal stem and plate	1	OTS/DHC - RHD
	C9554	Pedal stem and plate	1	OTS/DHC - LHD
	C8865	Pedal stem and plate	1	FHC - RHD
	C10349	Pedal stem and plate	1	FHC - LHD
15	C8316	Handbrake lever connecting link	1	
16	C8317	Lever (end of shaft) for link	1	
17	C3722	Spring on support shaft between levers	1	
18	C8318	Shaft, supporting levers	1	
19	C3656	Lever (centre of shaft) for handbrake cable	1	
20	C3266	Barrel nut on compensator rod	1	
21	C3265	Trunnion on compensator rod	1	
22	C3264	Spring on compensator rod	1	
23	C3322	Compensator rod	1	
24	C8389	Abutment assembly for handbrake cable	1	
25	C3274/1	Compensator assembly for cable	1	
26	C6677	Handbrake cable - inner and outer	1	
27	C7875	Clip - handbrake to RH axle tube	1	
27A	C7859	Clip - handbrake to LH axle tube	1	
28	C5066	Return spring - ends of handbrake cable	2	
29	C5067	Retainer for return springs on back plate	2	
30	C3529	Clip - secures pipes to chassis	7	
31	C7860	Clip - secures rear pipes to axle tube	2	
32	C3909	Flexible hose front & rear	3	2 on front/1 on rear
33	C3910	Lock nut on brake hose	3	
34	C3922	3 way union	2	
35	BPK140	Brake pipe set - in Kunifer	1	Kit - 7 pieces
36	C3923	Brake pipe connector - male/male	1	Joins front to rear pipe
37	KL71410	Brake master cylinder repair kit	1	
38	C3911	Lock washer for brake hose	3	
39	C3925	Copper sealing washer	As req.	
40	RC1	Cap for fluid supply tank	1	
41	C3902	Banjo connector to master cylinder	1	140FHC-LHD only
42	1040	Bracket to mount fluid supply tank	1	
43	C3926	Copper sealing washer	As req.	
44	C8030	Fluid supply rigid pipe	2	From reservoir to master cylinder
45	C755	Key for shaft supporting levers	2	
46	C8563	Male-male M/cylinder adapter	1	All <u>except</u> 140FHC-LHD
47	C8299	Pedal felt seal	2	
48	BD14320	Pedal dust excluder plate	1	FHC only
49	BD13126	Felt seal for BD14320	1	FHC only
50	C8291	Adjusting pushrod for pedal	1	
51	NN237L	Lock-nut for C3291	2	
52	J106/16S	Clevis pin-link to h/brake lever	1	
53	J106/11S	Clevis pin-link to C8317	1	
54	J105/12S	Clevis pin on H/brake cable ends	2	
55	J106/10S	Clevis pin on compensator rod	1	
56	L103/7U	Split pin	As req.	
57	J106/17S	Clevis pin on brake pedal	1	
58	HBS	Spring for handbrake button	1	
59	C8031	Circlip on pedal stem	2	On brake & clutch pedals
60	C8298	Ferrule for pedal grommet	2	
61	C16785*B	Handbrake ratchet plate	1	Part of Complete handbrake

FRONT



REAR

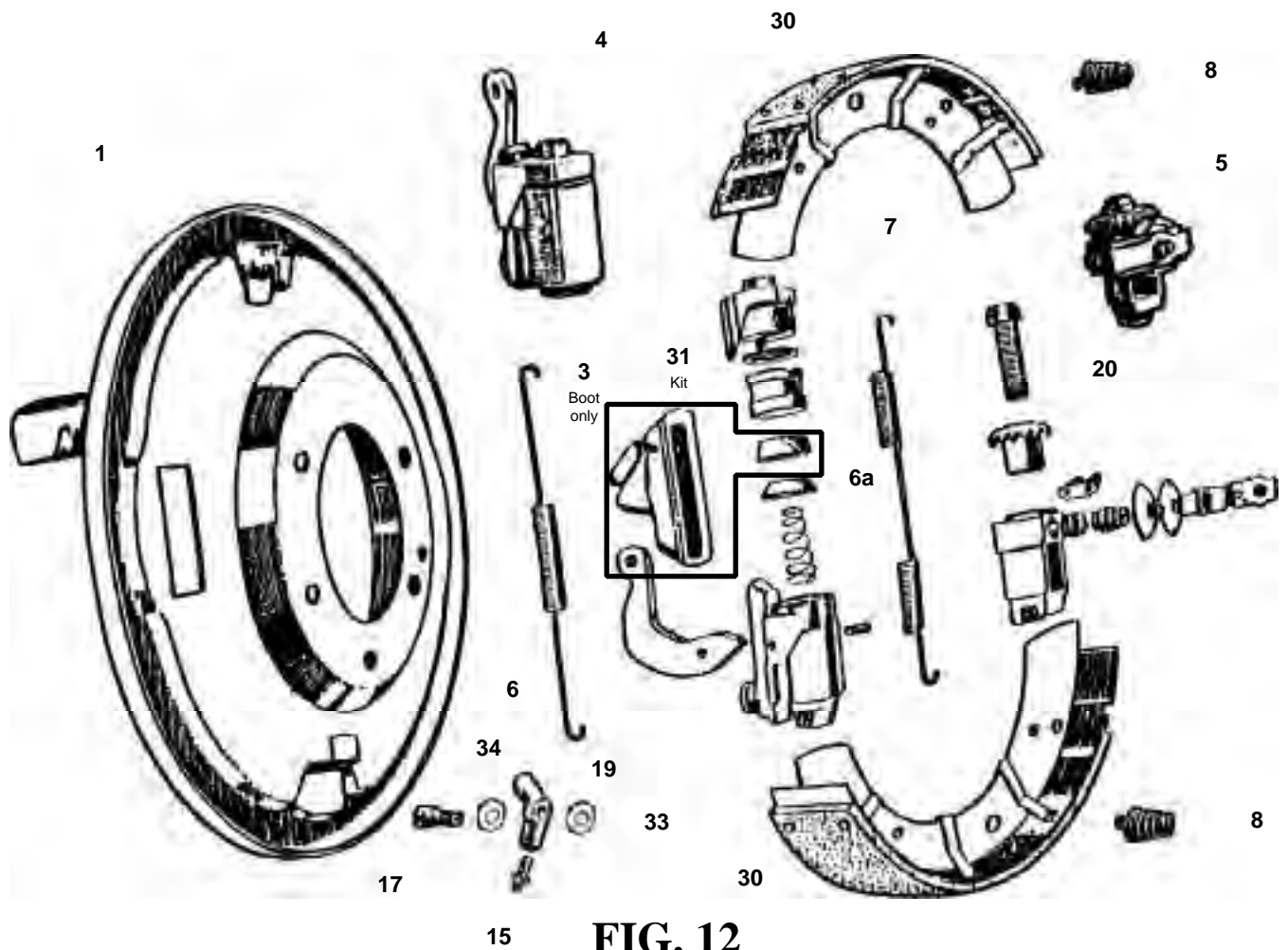
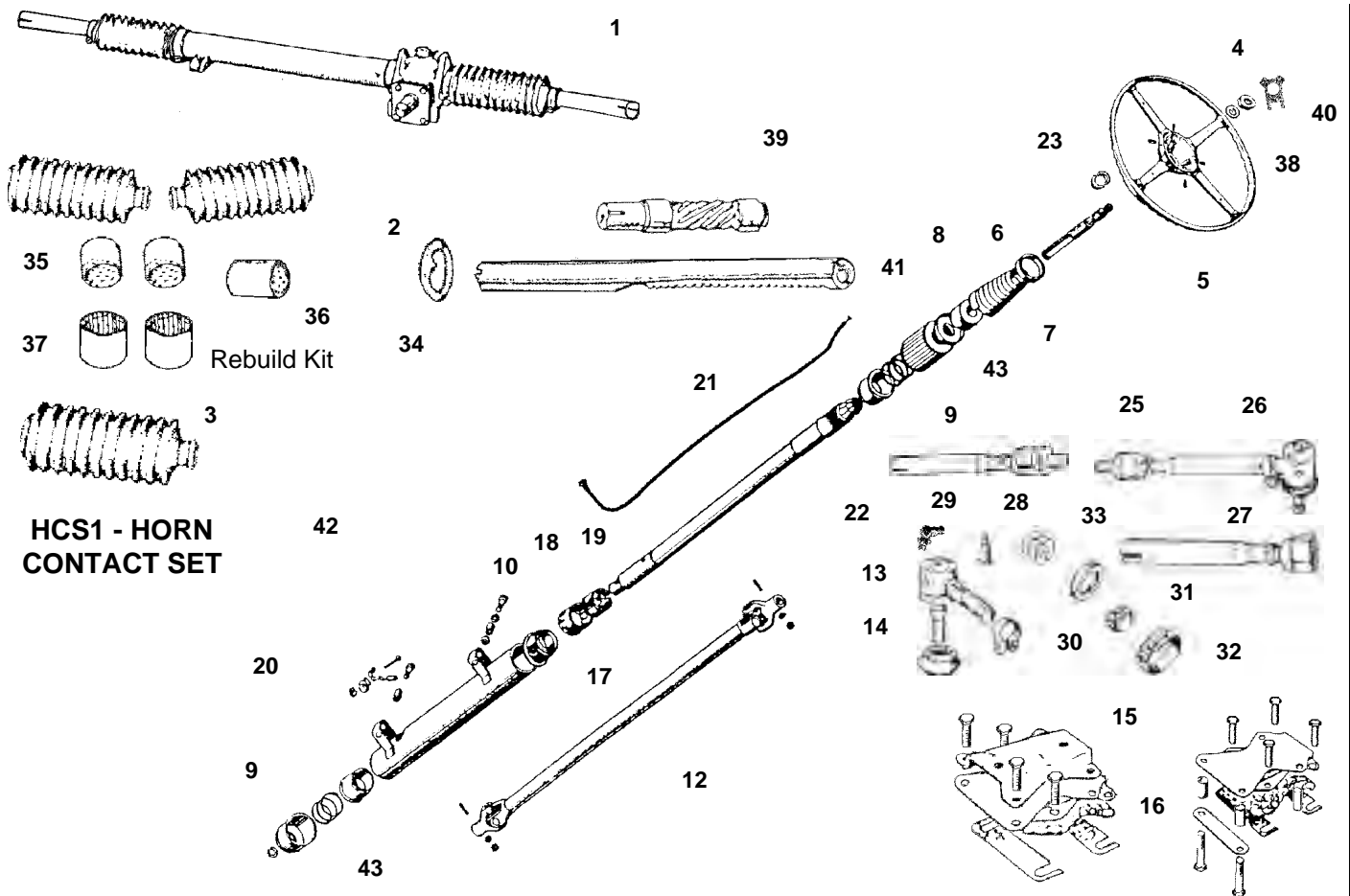


FIG. 12

	PART #	DESCRIPTION	QTY	REMARKS
1	31393	Rear backplate - R/hand	1	S/hand available
1a	31394	Rear backplate - L/hand	1	S/hand available
2	30636	Front backplate - R/hand	1	S/hand available
2a	30637	Front backplate - L/hand	1	S/hand available
3	21740	Boot for rear wheel cylinder	2	On rear of backplate
4	39377	Rear wheel cylinder assy.	2	New
5	39038	Adjuster assembly on rear brake - L/hand	1	Secondhand available
	39037	Adjuster assembly on rear brake - R/hand	1	Secondhand available
6	30709	Pull off spring on wheel cylinder side	2	Single coil spring - rear brakes
6a	30708	Pull off spring on adjuster side	2	Double coil spring - rear brakes
7	35130E	Relined shoe assembly - exchange	4	All 4 brake shoes are the same front & rear
8	21792	'Beehive' spring - rear brakes	4	Holds shoe to backplate
9	31057	Bar for automatic front shoe adjustment	4	New
10	30627	Ratchet spring operating spring adjustment	4	New
11	35130E	Relined shoe assembly - exchange	4	See note on #7
12	30632	Rubber boot only for front cylinder	4	
13	30631	Piston only for front cylinder	4	New
14	30635	Front wheel cylinder complete assembly	4	New
15	C3908	Bleed screw (nipple)	4	Front & rear
16	C3907	Banjo for bottom front wheel cylinder	2	
17	C3906	Bolt for banjos	6	Front & rear
18	C3904	Banjo for top RH front wheel cylinder	1	
18a	C3905	Banjo for top LH front wheel cylinder	1	
19	C3907	Banjo for rear wheel cylinder	2	
20	30717/22	Rear adjuster wheel & screw assembly	2	Sold as 1 x wheel and 1 x screw
21	30628	Pull-off spring for front brakes	4	New
22	33453	Front anchor pin - adjuster bar to shoe	4	Assembly with nut & washer
23	34015	Plate on friction pad - inner	4	For front brakes
24	34016	Plate on friction pad - outer	4	For front brakes
25	31058	Bolt holding friction pads to bar	4	Assembly with nut, washer & pin
26	31059	Adjuster friction pad	8	For front brakes
27	31061	Tensioner spring on friction pad bolt	4	
28	KL40002K	Circlips holding adjuster to anchor pin	Car set	4 circlips & 4 washers
29	KL71490	Front wheel cylinder repair kit	4	Dust boot & seal only
30	35129	Brake linings (with rivets) 12 hole	8	Front & rear the same
31	KL71518	Rear wheel cylinder repair kit	2	Gaiter on backplate & seal only
32	30619	Peg assembly for spring on backplate	4	Assembly with nut & washer
33	C3925	Copper washer for banjo bolt - inner	6	Front & rear brakes
34	C3926	Copper washer for banjo bolt - outer	6	Front & rear brakes

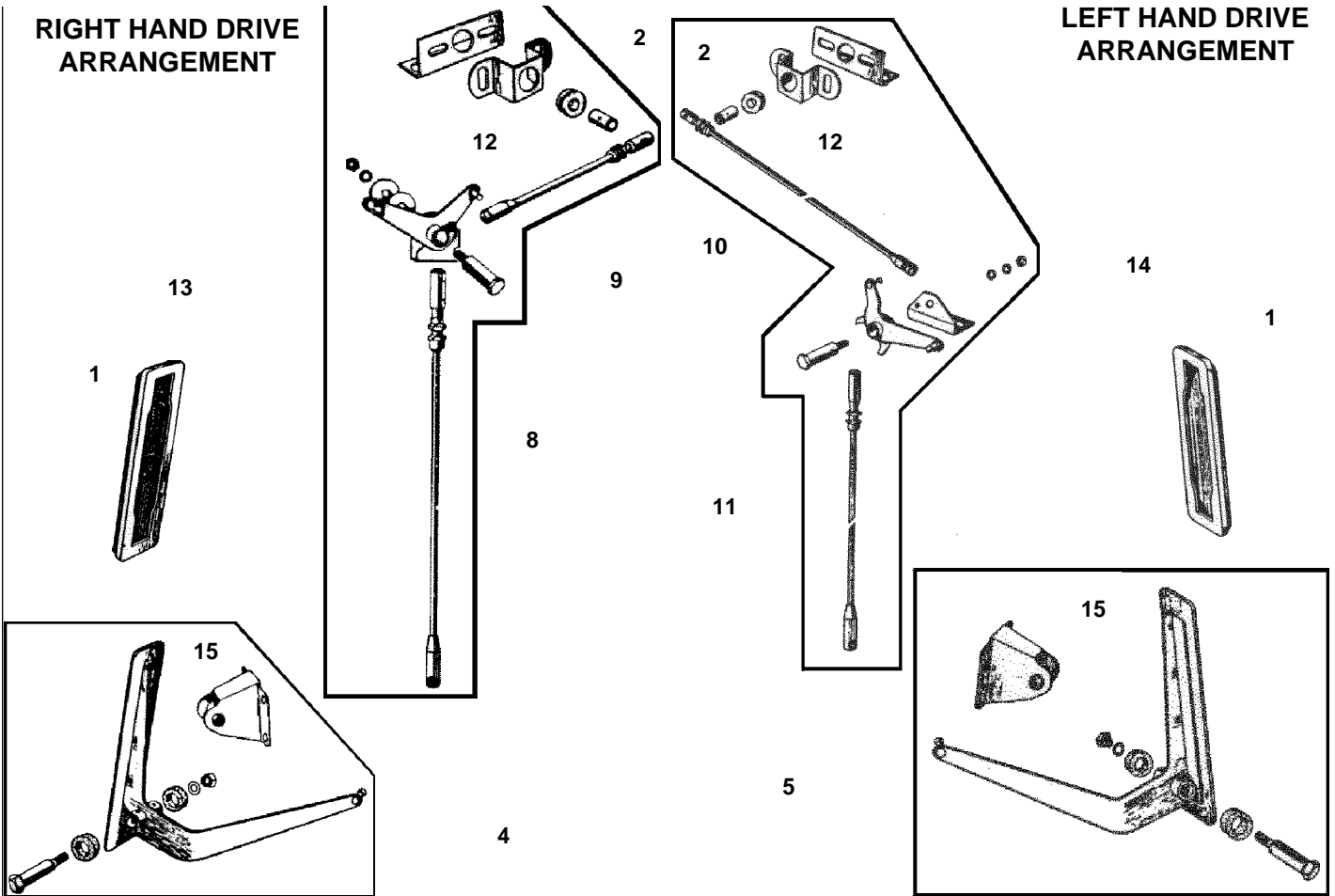


PART #	DESCRIPTION	QTY REQ.	REMARKS
1	C8469E Rack and pinion assy. RHD - Exchange C8470E Rack and pinion assy. LHD - Exchange	1	With NEW rack & pinion
2	RRK4050 Rack rebuild kit	1	With NEW rack & pinion Kit as illustrated
3	C6623 Rack gaiter (bellows)	2	(Also part of RRK4050)
4	C7879 Nut securing steering wheel	1	
5	C7842 Steering wheel	1	Good repro!
6	C8576 Cup (small) at top of dust cover	1	Chromed
7	C1024 Dust cover	1	Stainless steel
8	C3366 Cup (large) at bottom of dust cover	1	Chromed
9	C10367/8 Ball races in outer column tube	Pair	Sold in pairs only
10	C8093 Rubber grommet (column to scuttle)	1	
12	5426 Universal joints in lower column	2	
13	C8323 Outer ball joint assembly (outer track rod end)	2	
14	C8325 Ball joint gaiter (for original C8323)	2	For Repro C8323 use BJG4050
15	C7832 Rack tube support bracket	1	
16	C7799 Rack mounting	2	
17	C6330 Taper pin (comes with nut and washer)	1	
18	C8152 Horn slip ring	1	
19	C8154/5 Plastic rotors in slip ring	Pair	
20	C8157 Horn contact assembly for slip ring	1	Assembly
21	C8153 Horn cable assembly	1	Includes spring & contact
22	C3362/1 Grease nipple	3	
23	C7878 Split cones for seating steering wheel	Pair	
25	C8322 Rack inner ball joint assembly	2	Includes nut
26	C8321 Complete tie-rod assembly	2	Ready to fit (inc. C8323)
27	GMB4 Outer tie rod with nut only	2	
28	C7569 Shim for screwed socket	As req.	Only 0.005 thou available
29	C14002 Plunger on pinion housing	1	
30	C3165 Clamp for outer track rod ends	2	
31	K3 Clip for rack gaiter (small)	2	
32	K5 Clip for rack gaiter (large)	2	
33	C10027 Lock washer for ball housing	2	
34	C8053 Lock washer at ends of rack	2	
35	C10628 Bush in pinion housing	2	(also part of RRK4050)
36	C7103 Bush in rack tube end	1	(also part of RRK4050)
37	C7566 Bearings in pinion housing	2	(also part of RRK4050)
38	C1037 Grub screw in steering wheel	4	
39	RPS Rack (C7067) & Pinion (C7606)	1 set	(in matched set only)
40	C11520 Tab washer locking nut to steering wheel	1	
41	C7883 Adjusting nut on steering column	1	
42	HCS1 Horn contact set	1	Comprised of 18,19,20 & 21
43	C8090 Spring to preload C10367/8	2	

FIG. 13

RIGHT HAND DRIVE ARRANGEMENT

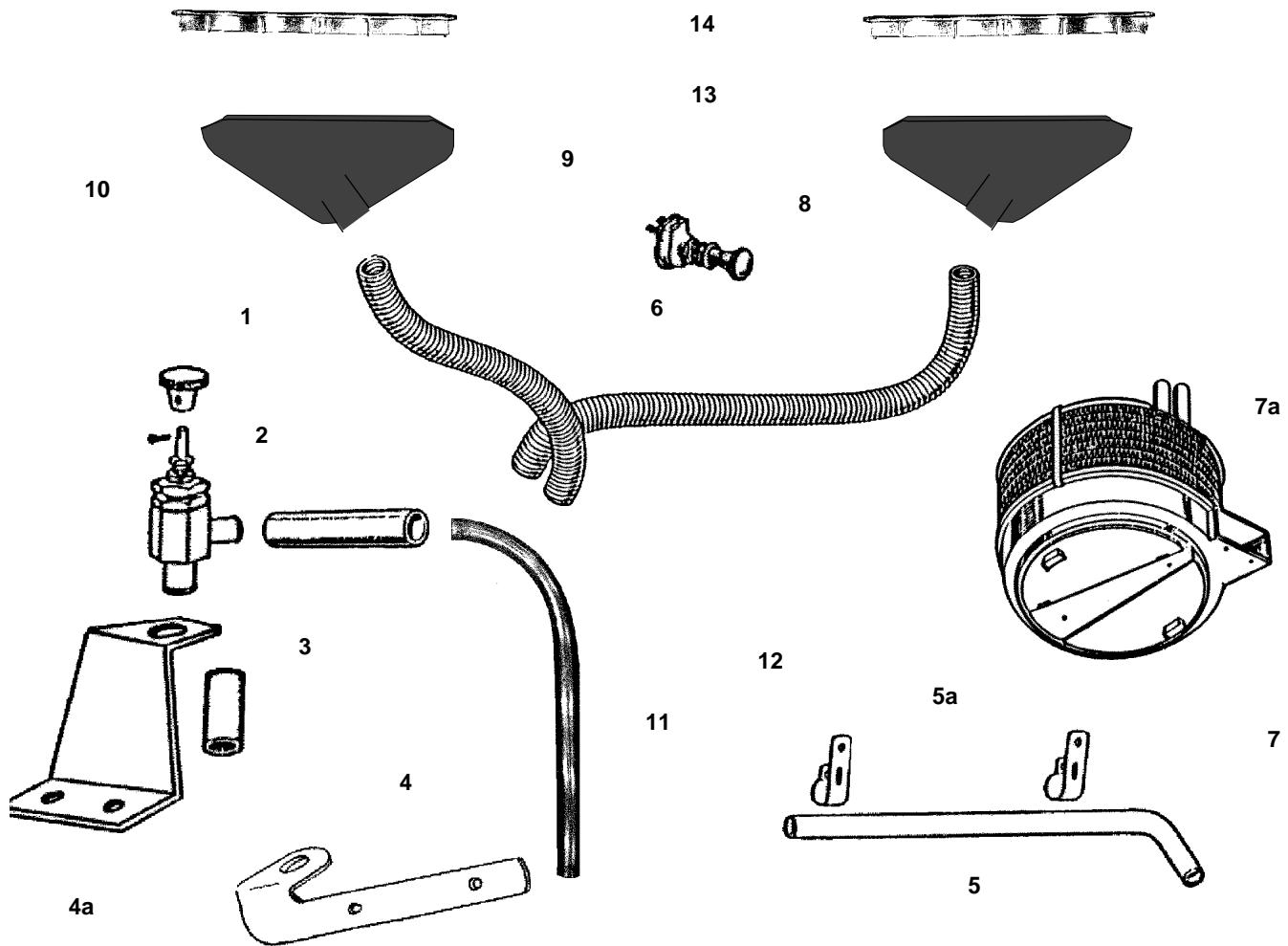
LEFT HAND DRIVE ARRANGEMENT



PART #	DESCRIPTION	QTY REQ.	REMARKS
1	C3473 Rubber pad on accelerator pedal	1	
2	C8016 Grommet for throttle spindle	1	
4	C7959 Accelerator pedal (RHD)	1	All parts as shown in box
5	C8177 Accelerator pedal (LHD)	1	All parts as shown in box
8	C3765 Link rod	1	
9	" Link rod	1	
10	C3765 Link rod	1	
11	" Link rod	1	
12	C3477 Bush for throttle spindle	1	
13	TK140R Accelerator linkage set (RHD)*	Set	All parts as shown in box
14	TK140L Accelerator linkage set (LHD)*	Set	All parts as shown in box
15	C3479 Felt bush for pedal pivot	2	Also included in #4 and #5

*Please Note:- Only the link rods, grommet (C8016) and bush (C3476) are available separately - the other components are part of throttle linkage set only.

FIG. 14



Part #	Description	QTY REQ.	Remarks
1	C4393 Knob - operating water valve	1	Chromed
2	C4392 Valve - controlling water supply to heater	1	
3	Heater hose - see hose kit HK140	1	Comes in hose kit only
4	C9552 Bracket supporting control valve	1	FHC only
4a	C4395 Bracket supporting control valve	1	DHC & OTS
5	C13232 Front return pipe - runs along cylinder block	1	Comes with C4402 clips
5a	C4402 Clips - securing front return pipe	2	
6	HEA2 Trunking from heater to air vents	1 x 4ft	Sold as car length
7	HEA3 Heater unit - reconditioned original	1	Outright sale
7a	HEA3C Heater matrix (radiator) only	1	Correct thickness!
8	C5485 Knob for heater fan switch	1	
9	C4543 Heater rheostat switch	1	When available!
10	HEA5 Heater hose 1/2" dia (per foot)	As req.	Sold per foot length
11	C4400 Heater valve metal pipe	1	OTS/DHC only
12	BD6521 Demister hose tee piece	1	All round heaters
13	BD9073/4 Demister dash vent outlets (fishtails)	Pair	DHC/FHC
	BD10491/2 Demister dash vent outlets (fishtails)	Pair	Roadster
14	BD6429 Demister chrome vents	2	All models

FIG. 15

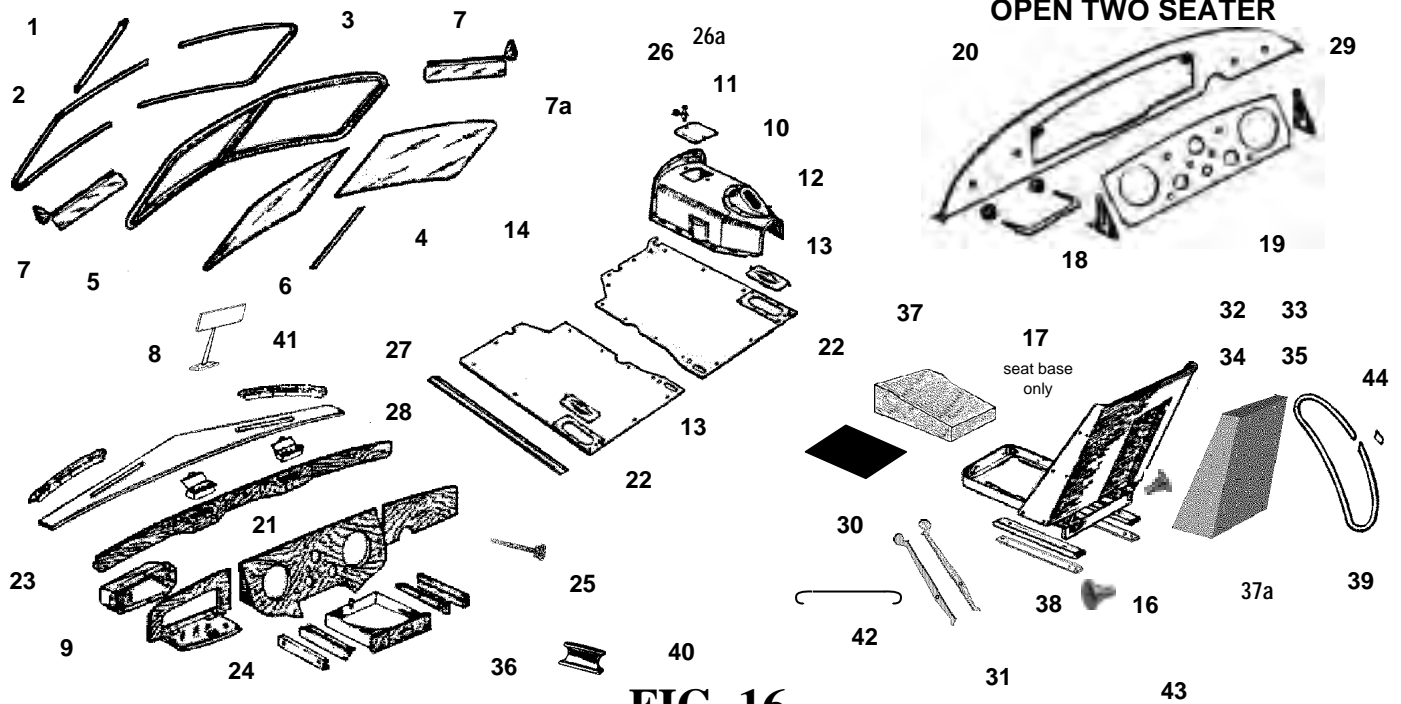
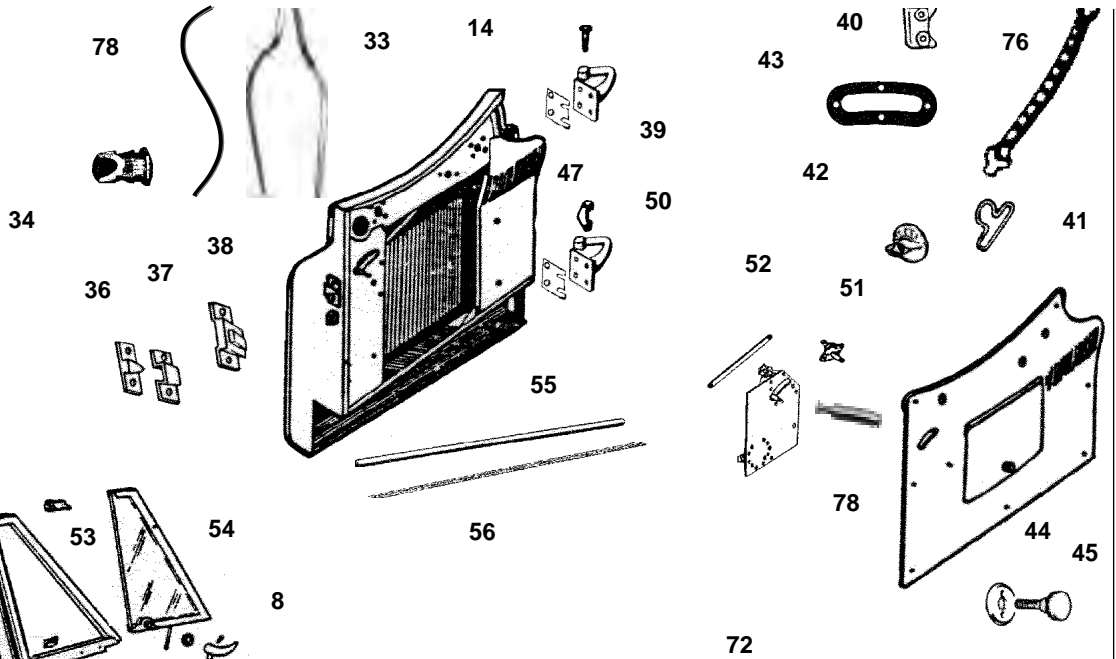


FIG. 16

	PART #	DESCRIPTION	QTY REQ.	REMARKS
1	BD7963	Screen centre chrome trim (outer)	1	DHC/FHC
2	BD7961	LH screen chrome	1	DHC/FHC
3	BD7962	RH screen chrome	1	DHC/FHC
4	BD7964	Screen centre chrome trim (inner)	1	DHC/FHC
5	BD7960	Windscreen rubber seal	1	DHC/FHC
6	BD7967	Windscreen glass	2	FHC/DHC
7	BD9629	Sun visor assembly	2	FHC only
7a	BD9630	Perspex only for sun visor	2	FHC only
8	BD6429	Demister chrome vent	2	All models
9	BD8721	Cubby box behind LH facia	1	RHD cars
	BD8722	Cubby box behind RH facia	1	LHD cars
10	BD9283	Gearbox cover assembly - in steel	1	Manual cars (as original)
10a	BD9283F	Gearbox cover assembly - in fibreglass (inc. turret)	1	Good replacement
11	BD8279	Gearbox inspection cover	1	Manual cars (to check oil)
12	TUR140	Turret on gearbox cover assembly	1	Manual cars
13	BD3037	Jack hole cover plate	2	All models
14	BD9411/2	Floorboards - OTS/DHC	Pair	DHC/OTS only
	BD12998/9	Floorboard - FHC	Pair	FHC only
16	BD8816/7S	Seat runners - sold as seat set	2	1 plain - 1 slotted per seat
17	SB140L	Seat base frame - L/hand	1	All models
	SB140R	Seat base frame - R/hand	1	All models
18	BD4660	Grab handle on roadster dash	1	Roadster
19	BD9228	Instrument board wooden panel	1	Roadster
20	BD8891	Aluminium facia panel - LHD cars	1	Roadster - LHD
	BD8892	Aluminium facia panel - RHD cars	1	Roadster - RHD
21	WSL140D	Complete set of veneered wood - DHC - LHD	1	Sold as car set (to order only)
	WSR140D	Complete set of veneered wood - DHC - RHD	1	Sold as car set (to order only)
	WSL140F	Complete set of veneered wood - FHC - LHD	1	Sold as car set (to order only)
	WSR140F	Complete set of veneered wood - FHC - RHD	1	Sold as car set (to order only)
22	BD9415	Plate around jack hole cover	2	All models
23	BD9276	Panel between instruments and windscreen	1	DHC/FHC (to order only)
24	BD5300	Glove box lock	1	DHC/FHC
25	BD8897	Knurled screws for dash	2	All models
26	BD1288/1	Gearbox inspection cover <u>screws only</u>	2	
26a	BD1288/1S	Gearbox inspection cover <u>screws & receivers set</u>	1 set	Car set
27	BD9935	Carpet chrome finisher	2	For edge of carpet
28	BD9151	Ashtrays for dash top	2	Bronze finish
29	BD8893/4	Alloy end brackets for dash	Pair	1 LH & 1 RH
30	SBP	Seat base pan	2	In fibreglass
31	BD10969	Seat adjuster lever - LH	1	
	BD10970	Seat adjuster lever - RH	1	
32	SFL140S	Roadster seat frame (inc. wood) L/hand	1	Base & squab frames
33	SFR140S	Roadster seat frame (inc. wood) R/hand	1	Base & squab frames
34	SFL140DF	DHC/FHC seat frame (inc. wood) L/hand	1	Base & squab frames
35	SFR140DF	DHC/FHC seat frame (inc. wood) R/hand	1	Base & squab frames
36	BD8821/3	Set of drawer runners (4 pieces)	Set	DHC/FHC
37	SCF2	Seat cushion foams	2	All models
37a	SBF1	Seat back foams	2	All models
38	BD6244	Seat tapping plates	4	Holds seat runner to floor
39	BD9760	Rear screen chrome	1	See also page 38
40	CBK	Wooden knob for drawer & cubby box	2	DHC/FHC
41	C8151	Interior mirror (adjustable stem)	1	All models
42	C3317	return spring for seat adjusting levers	2	
43	BD3255	Seat pivot bolt - chromed	4	All models
44	BD5366	Joint cover for rear screen chrome	1	

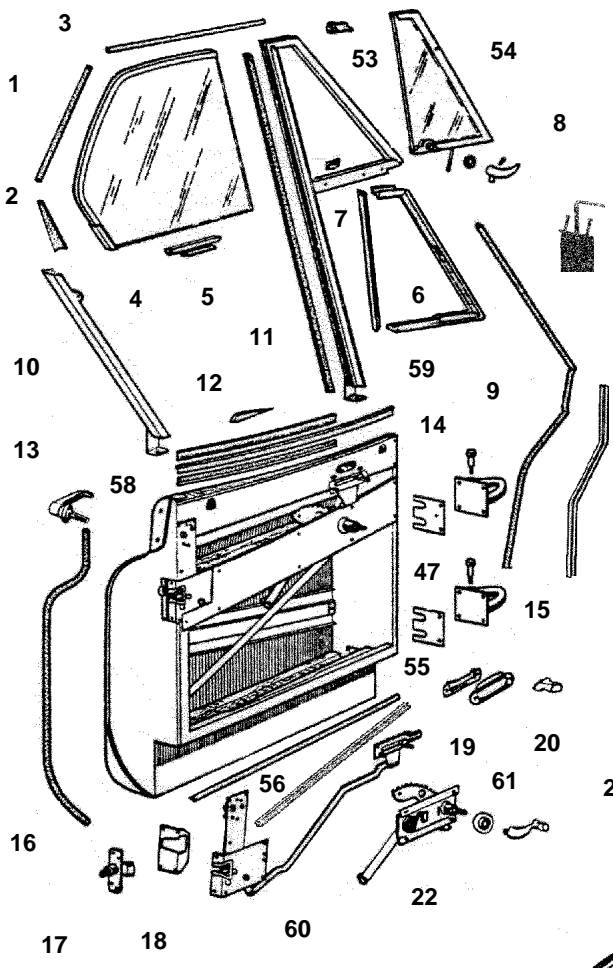
OPEN TWO SEATER



Matching Lock/Barrel Car Set

DROP HEAD COUPE

Matching Lock/Barrel Car Set



FIXED HEAD COUPE

73 - Chrome trim



74 Rubber seal

Matching Lock/Barrel Car Set

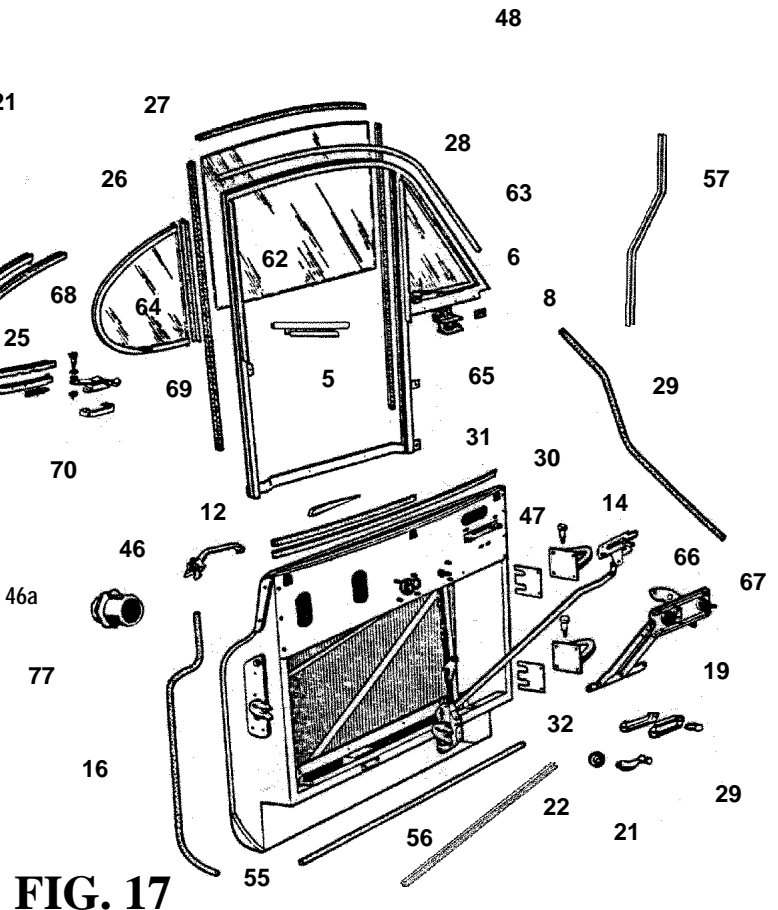
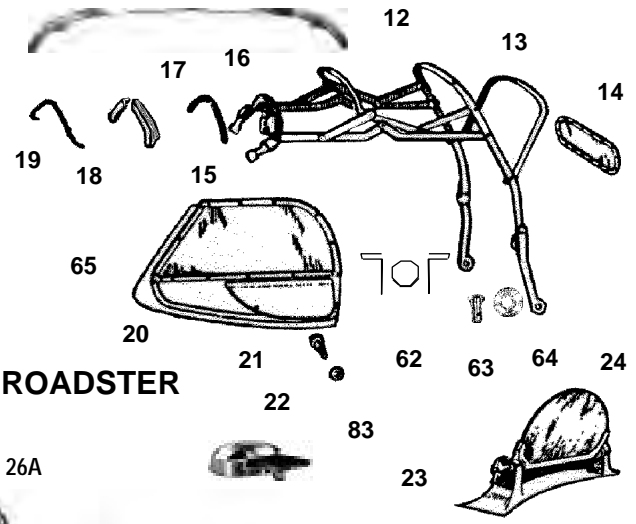


FIG. 17

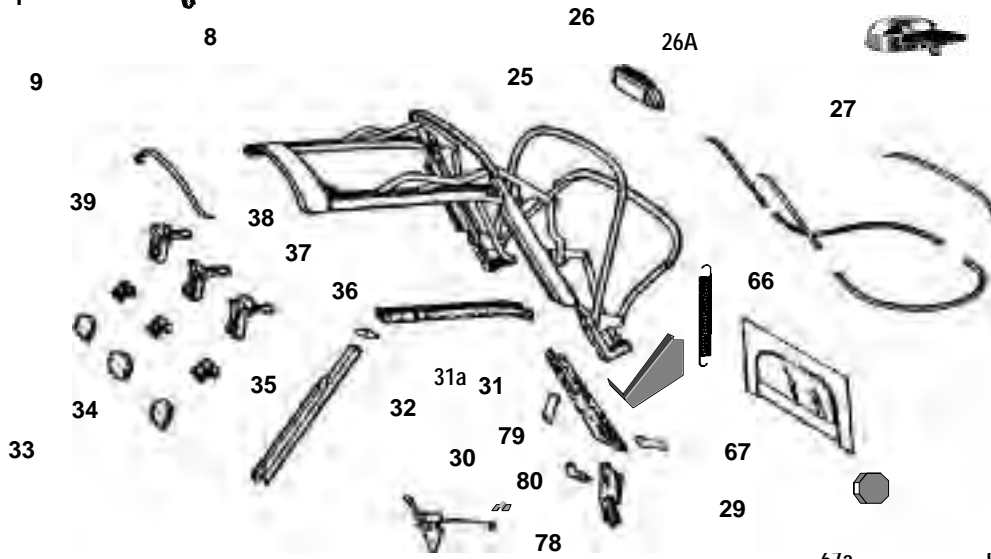
	PART #	DESCRIPTION	QTY REQ.	REMARKS
1	BD4814	Pillar sealing rubber (per foot)	2ft	DHC
2	BD6786	Chrome frame to door glass	2	DHC
3	BD4814	Cantrail sealing rubber (per foot)	3ft	DHC
4	BD6758	Door window glass	2	DHC
5	BD9126	Window lift channel	2	All models (not handed)
6	QLS100	Front 1/4 light seal kit	Set	DHC/FHC car set only
7	BD3991	Striker plate for front 1/4 light handles	2	
8	BD3981	1/4 light locking handle L/hand	1	DHC/FHC
	BD3982	1/4 light locking handle R/hand	1	DHC/FHC
9	BD4814	Hinge and screen pillar sealing rubber (per foot)	8ft	DHC
10	BD9115	Guide for door glass L/hand	1	
	BD9116	Guide for door glass R/hand	1	
11	BD5082	Felt seal in 36" lengths	2 X by 36"	DHC
12	BD8548	Finger pull on door capping	2	DHC/FHC
13	BD8065	Exterior door handle	2	DHC (not handed)
14	BD4156K	Door hinge pin & bush set	1	Kit of 4 pins & bushes (all models)
15	BD5015	Door hinge for DHC	4	DHC
16	BD2159	Shut pillar rubber seal (per foot)	5ft	DHC
17	2310/1	Striker for LH door lock	1	DHC
	2311/1	Striker for RH door lock	1	DHC
18	BD5979	Cover plate on LH door lock	1	DHC
	BD5980	Cover plate on RH door lock	1	DHC
19	BD9263/4	Escutcheons behind door slide knobs	2	Sold as door set
20	BD8963	Door slide knob L/hand	1	DHC/FHC
	BD8964	Door slide knob R/hand	1	DHC/FHC
21	BD2233	Window winder handle	2	DHC/FHC
22	BD552/1	Sprung escutcheon behind w/winder handle	2	DHC/FHC
23	BD2045	Rear 1/4 light rubber seal (per foot)	7ft	FHC
24	BD8598	Piping around rear 1/4 light (per foot)	7ft	FHC
25	BD12577	Seals between inner/outer rear 1/4 light frames	2	FHC (not handed)
26	BD11030	Rubber on door to rear 1/4 light	2	FHC
27	BD5082	Felt seal (in 36" lengths)	6 X by 36"	FHC
28	BD2045	Cantrail sealing rubber (per foot)	8ft	FHC
29	BD2045	Door hinge rubber seal (per foot)	5ft	FHC
30	BD8598D	Piping along door edge	2	FHC (at 38" each)
31	BD10303/2	Weather excluder	4	FHC
32	BD9902	Door hinge for FHC	4	FHC
33	APC2	'A' Post channels for 140 OTS	Pair	Roadster
34	BD3630	Crash roll bung (fits ends of cockpit roll)	8	Roadster
36/37	BD2941/2	Door dovetail assembly	2	Roadster
38	BD2930	Door lock striker - chromed	2	Roadster
39	BD4157	Door hinge for roadsters	4	Roadster
40	BD3556	Bracket securing lanyards	2	Roadster
41	BD3540	Swivel at end of lanyards	2	Roadster
42	BD4240	Chrome lock knob - L/hand	1	Roadster
	BD4241	Chrome lock knob - R/hand	1	Roadster
43	BD3560	'Kidney' plate on door casing	2	Roadster
44	BD3428	Escutcheon under BD3429 knob	4	Roadster
45	BD3429	Sidescreen knob	4	Roadster
46	BD10614	Exterior door handle R/hand & L/hand	2	FHC-handle without 12/0326-button
46A	12/0326	Door lock barrel chrome casing (button)	2	FHC-excludes key barrel
	DBS1	Door button spring	2	FHC
	DBC1	Door button circlip	2	FHC
	DLP1	Door button actuator (striker)	2	FHC
	HW1	Hexagon washer for button	2	FHC
	3/05155	Door locking barrel & key	2	FHC
47	BD4701/1	Door hinge shim	As req.	.036" thick
48	9/01342	DHC matching lock barrel set	1 set of 5	(IGN, Doors, Boot & petrol lock)
49	9/01304	FHC matching lock barrel set	1 set of 5	(IGN, Doors, Boot & petrol lock)
50	BD9013	Door hinge stop bracket	2	Roadster
51	BD4431	Safety catch assembly for door locks	2	Roadster
52	BD4349	Door lock assembly - L/hand	1	Roadster
	BD4350	Door lock assembly - R/hand	1	Roadster
53	BD11243	Door 1/4 light frame assembly - L/hand	1	DHC (glass <u>not</u> included)
	BD11244	Door 1/4 light frame assembly - R/hand	1	DHC (glass <u>not</u> included)
54	BD6759	Glass for front 1/4 lights	2	DHC
55	BD2045	Body seal (per foot)	6ft	All models
56	BD10158	Retainer for sill seal	2	All models - (cut to suit)
57	BD8443/4	Retainer for hinge pillar seal	Pair	DHC & FHC
58	BD6027	Door top weather strip	4	DHC
59	BD5358/4	Door top piping	2	DHC (at 33" each)
60	BD8982	Door lock assembly - L/hand	1	DHC
	BD8983	Door lock assembly - R/hand	1	DHC
61	BD8984	Window regulator assembly - L/hand	1	DHC
	BD8985	Window regulator assembly - R/hand	1	DHC
62	BD10227	Glass for door window	2	FHC
63	BD9996	Glass for front 1/4 lights	2	FHC
64	BD9999	Glass for rear 1/4 lights	2	FHC
65	BD13151	Pivot assembly for front 1/4 light	2	FHC (not handed - Inc. spindle)
	BD1315S	Spindle <u>only</u> for 1/4 light pivot	2	FHC (comes with BD13151)
66	BD10234	Door lock assembly - L/hand	1	FHC
	BD10235	Door lock assembly - R/hand	1	FHC
67	BD10092	Window regulator assembly - L/hand	1	FHC
	BD10093	Window regulator assembly - R/hand	1	FHC
68	841	Rear 1/4 light special screw	2	FHC
69	BD8238	Catch for rear 1/4 light - L/hand	1	FHC
	BD8239	Catch for rear 1/4 light - R/hand	1	FHC
70	BD5434	Cover for rear 1/4 light catches	2	FHC
71	BD8861	Front 1/4 light pivot assembly - L/hand	1	DHC
	BD8862	Front 1/4 light pivot assembly - R/hand	1	DHC
	BD8756	Spindle <u>only</u> for front 1/4 light pivot	2	DHC (comes with BD8861/2)
72	9/01303	Roadster matching lock barrel set	1 set of 3	(Ign. Boot & petrol lock)
73	BD9760	Chrome trim for rear screen	1	FHC
74	BD9759	Sealing rubber for rear screen	1	FHC
75	BD5366	Joint cover for rear screen chrome	1	FHC
76	BD3559	Door pull lanyards - state colour required	Pair	Roadster
77	BD10550	Door striker on 'B' post - L/hand	1	FHC
	BD10551	Door striker on 'B' post - R/hand	1	FHC
78	BD2045	Hinge pillar seal (per foot)	5	Roadster



ROADSTER

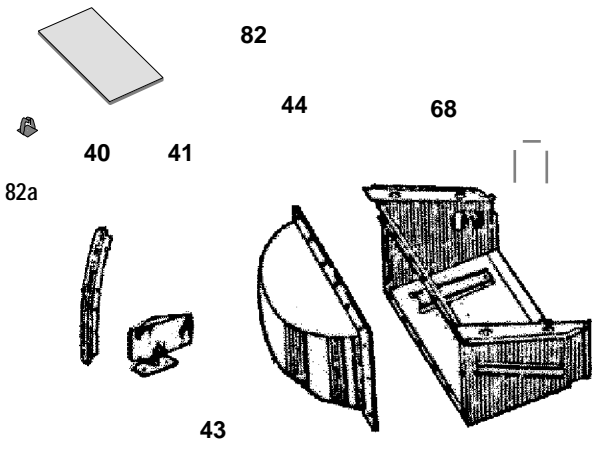


ROADSTER

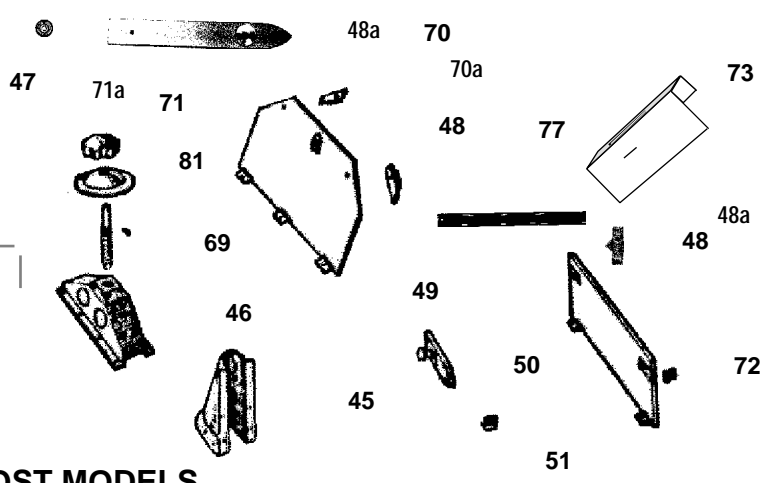


DROP HEAD

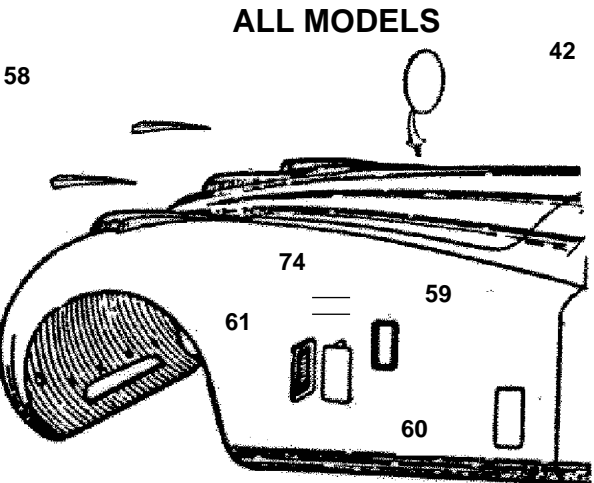
TTS
 onneau tacking set of
 wood (3 piece set)
HWS2
 Complete set of hood
 frame woods (inc. TTS)



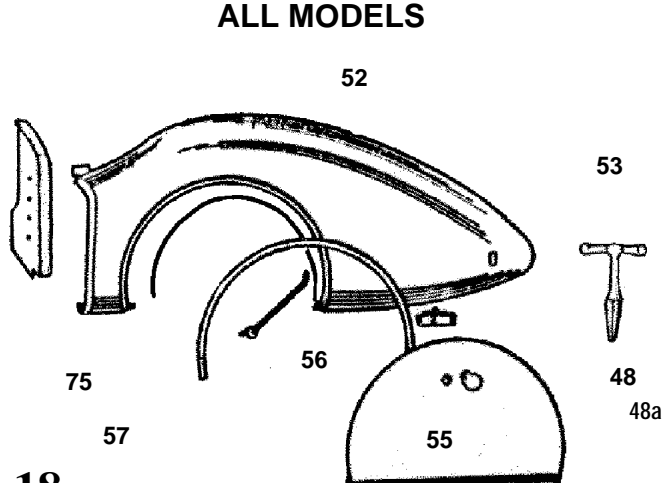
MOST MODELS



ALL MODELS



ALL MODELS

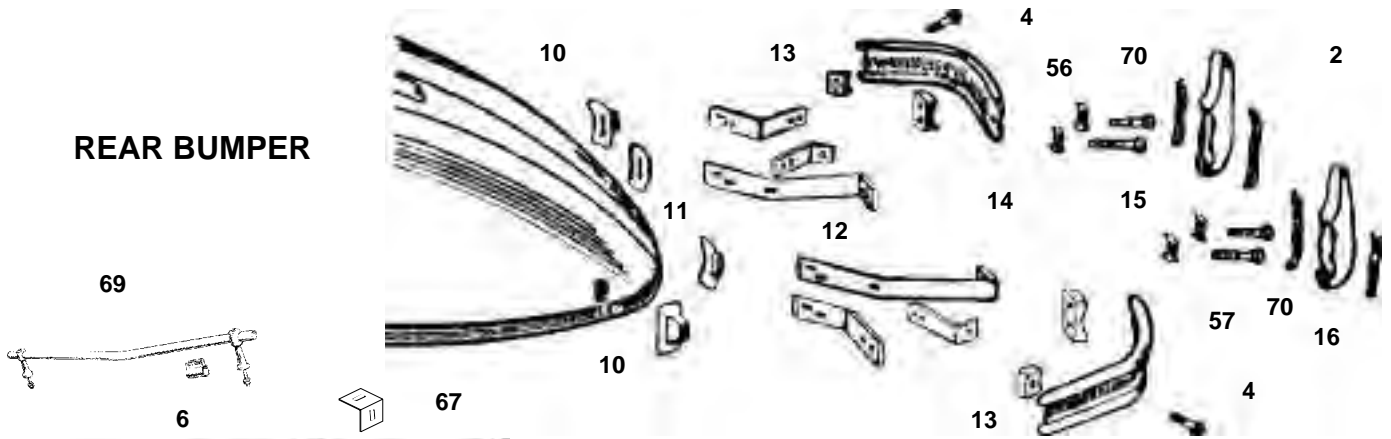


ALL MODELS

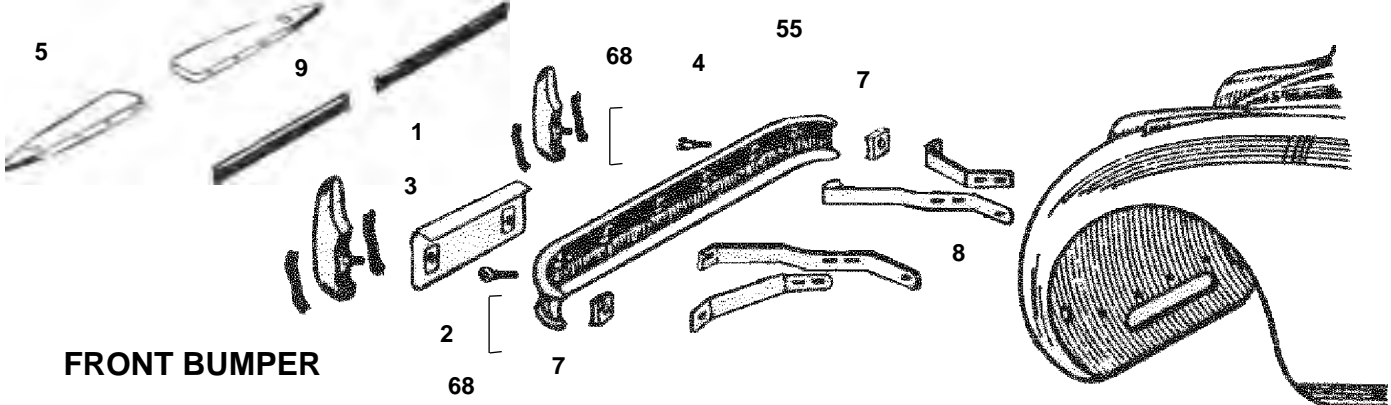
FIG. 18

	PART #	DESCRIPTION	QTY REQ.	REMARKS
1	BD3765	Windscreen side pillar - L/hand	1	OTS
2	BD3766	Windscreen side pillar - R/hand	1	OTS
3	BD3017/8	Windscreen chrome frame assy	Pair	OTS - Sold as set only
4	BD3014	Screen centre pillar	1	OTS
5	BD3237	Windscreen glass	2	OTS
6	BD3545	Hook at top of side pillars	2	OTS
7	BD4696	Special nut securing centre pillar	1	OTS
8	BD2159	Sealing rubber - screen to body - sold per foot	4ft	OTS
9/10	BD3887P	Rubber grommets under side pillars	Pair	OTS
11	BD3239	Hook/bracket on top of centre pillar	1	OTS
12	BD9567	Hood bar - sewn into rear of hood	1	OTS
13	BD5848	Hoodsticks (hoodframe) assy.	1	OTS
14	BD4405	Backlight (rear window) assy in hood	1	OTS
15	BD3541	Outer toggle clamps for hood	2	OTS
16	BD3542	Centre toggle clamp for hood	1	OTS
17	BD4374	Sealing rubber for hood to screen	1	OTS
18	BD3281/2	Canopy rail wood pieces on front of hood	Pair	OTS - LH & RH set
19	BD3838	Pin beading - front of hood	1	OTS
20	BD10540	Sidescreen (side curtain) - L/hand	1	OTS - Untrimmed frame with
	BD10541	Sidescreen (side curtain) - R/hand	1	OTS chrome finishers
21	BD3429	Sidescreen knob - (holds screen to door)	4	OTS
22	BD3428	Escutcheon behind knobs	4	OTS
23	BD4299	Aero screen plinth - L/hand	1	OTS - as option
	BD4300	Aero screen plinth - R/hand	1	OTS - as option
24	BD4299	Aero screen (glass & frame assembly)	2	OTS - as option
25	BD8929	Hoodsticks (hoodframe assembly)	1	DHC
26	BD862	Interior lamp	1	DHC
26a	BD14049	(XK150) interior lamp assembly - NEW	1	Cheaper alternative
27	BD6777	Beading on rear hoodstick	1	DHC - Unchromed
28	BD13462/5	Lower beading set on hood	4 piece set	DHC - Unchromed
29	BD9051	Chrome finisher on head pillar - L/hand	1	DHC - chromed
	BD9052	Chrome finisher on head pillar - R/hand	1	DHC - chromed
30	BD16041	Clamp assy to hold hood when down - L/hand	1	DHC
	BD16042	Clamp assy to hold hood when down - R/hand	1	DHC
31	BD9045	Chrome on canopy rail - L/hand	1	DHC
	BD9046	Chrome on canopy rail - R/hand	1	DHC
31a	BD9045A	Aluminium mount for BD9045 - L/hand	1	DHC
	BD9046A	Aluminium mount for BD9046 - R/hand	1	DHC
32	BD8004	Chrome finisher screen capping - L/hand	1	DHC
	BD8005	Chrome finisher screen capping - R/hand	1	DHC
33	BD6797	Mounting plate for side hooks	2	DHC
34	BD6796	Mounting plate for centre hook	1	DHC
35	BD6799	Hooks to engage with toggle clamps	3	DHC
36	BD8044	Toggle clamp for front of hood - L/hand	1	DHC
37	BD8046	Toggle clamp for front of hood - centre	1	DHC
38	BD8045	Toggle clamp for front of hood - R/hand	1	DHC
39	BD6776	Beading on canopy rail (front of hood)	1	DHC - unchromed
40	BD6429	Demister chrome vent for windscreen	2	All models
41	C8151	Interior mirror (adjustable stem)	1	All models
42	WX1905	Wing mirror - R/hand	1	As Lucas originals
	WX1906	Wing mirror - L/hand	1	As Lucas originals
43	BD9336	Front extension for BD9326 tray	1	All models
44	BD9326	Spare wheel tray	1	All models
45	BD9625	Cover plate over petrol filler pipe	1	All models
46	BD9579	Bracket assy for spare wheel mount	1	All models
47	BD6240	Spare wheel hold down clamp	1	Disc wheel cars
	BD9583	Spare wheel hold down clamp	1	Wire wheel cars
48	BD2121	Budget lock - L/hand	As req.	Spats etc. All models
48A	BD2122	Budget lock - R/hand	As req.	Spats etc. All models
49	BD14129	Cover board for spare wheel	1	All models
50	BD9395	Sliding catch bolt for rear bulkhead board	2	OTS & DHC
51	BD9912	Striker plate for BD9395 bolt	Pair	OTS & DHC
52	BD4312	Rear wing - L/hand	1	All models
	BD4313	Rear wing - R/hand	1	All models
53	2072	'T' key for spat (etc.) lock	1	Also for budget locks on BD11262
55	2312	Escutcheon on spat (chromed)	2	Cars with steel wheels
56	BD6194	Steady bar for rear wing - L/hand	1	All models
	BD6195	Steady bar for rear wing - R/hand	1	All models
57	BD7770	Copper moulding around wheel arch	2	Wire wheel cars
58	BD2561	Headlight spear	2	All models
59	BD5190	Wing ventilator door seal	2	All models
60	BD5188	Wing ventilator door (mechanism not included)	2	All models
61	BD5189	Gauze on wing vent door	2	All models
62	4/70LR	Hood frame mounting brackets	2	OTS
63	BD4730	Hood pivot special bolt	2	Chrome
64	BD4731	Hood pivot special washer	2	Chrome
65	BD10542	"Perspex" only for sidescreens	2	In Lexan
66	BD9031	Springs for hood frame	2	DHC
67	4/69LR	Hood frame mounting brackets	Pair	DHC
67a	BD8009	Pivot bolt for hood frame	2	DHC
68	BD9432	Boot lock 'U' bars	2	All models
69	BD9374	Boot floor hinges	3	All models
70	BD6250	Leather tab to lift boot floor	1	All models
70a	BD3556	Chrome plate holding BD6250 tab	1	All models
71	BD10352	Leather strap to hold boot floor open	1	All models
71a	BD1286/3	Receiver for press-stud on BD10352	1	All models
72	BD9912	Receivers (striker) for slide bolts	Pair	OTS/DHC
73	BD10456/7	Chrome covers for locks on folding squab	Pair	FHC only
74	WVP	Wing vent sprung tensioner assy.	2	All models
75	BD11178	Seal for spats to body	2	If spats fitted
76	CPP	Rubber pad under centre screen pillar	1	OTS
77	BD13884	Leather strap to hold rear hinged panel	2	All models
78	BD10578	Keeper for hold-downs	2	DHC
79	BD9053	Chrome plate for head pillar	2	DHC
80	BD9054	Chrome plate for top of 'B' post - L/hand	1	DHC
	BD9055	Chrome plate for top of 'B' post - R/hand	1	DHC
81	C4630	Eyelet on bootboard	2	Over budget locks
82	BD9347/1	Inspection cover plate in boot floor	1	
82a	BD8483	Spire nuts for BD9347/1 cover plate	12	
83	BD3241	"Teardrop" for location of rear hood bar	2	140 with hump in centre

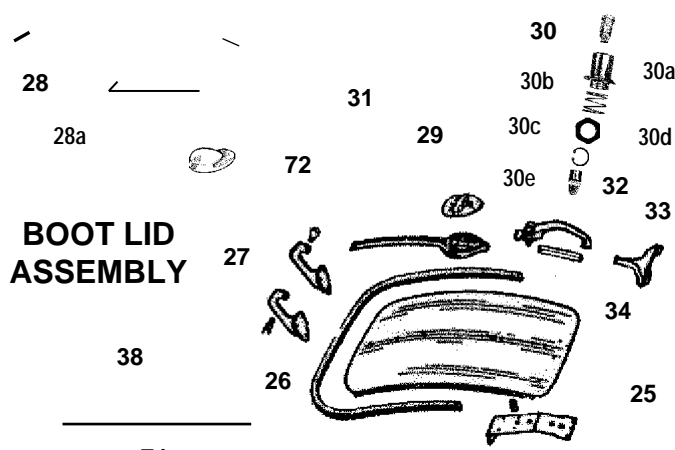
REAR BUMPER



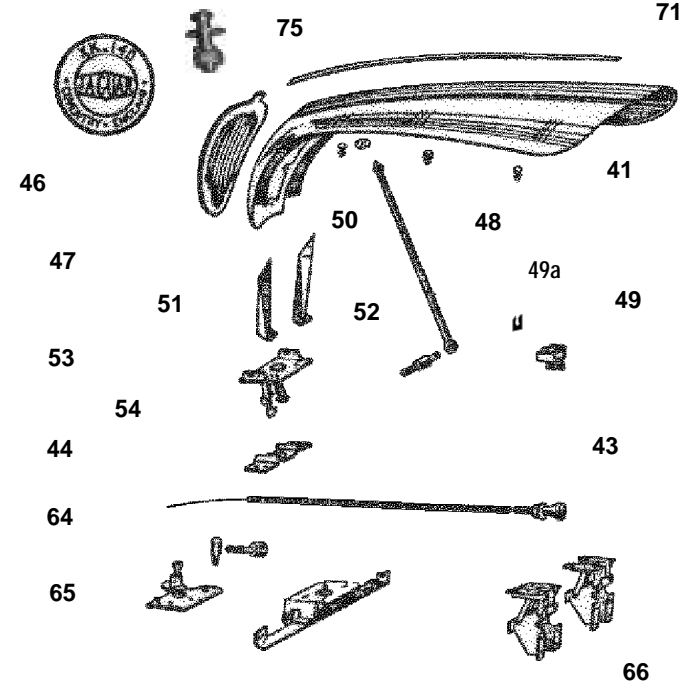
FRONT BUMPER



BOOT LID ASSEMBLY



PETROL FILLER BOX ASSEMBLY
BONNET ASSEMBLY - OTS & DHC



BONNET ASSEMBLY - FHC

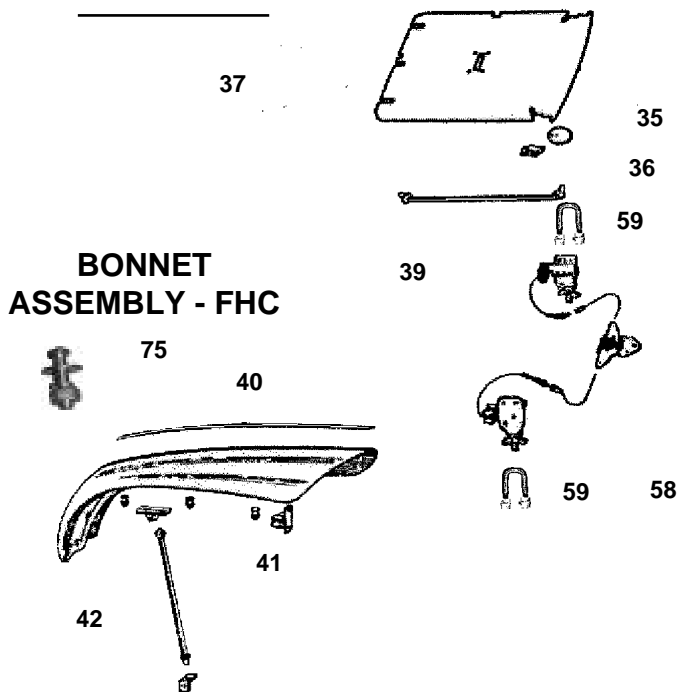
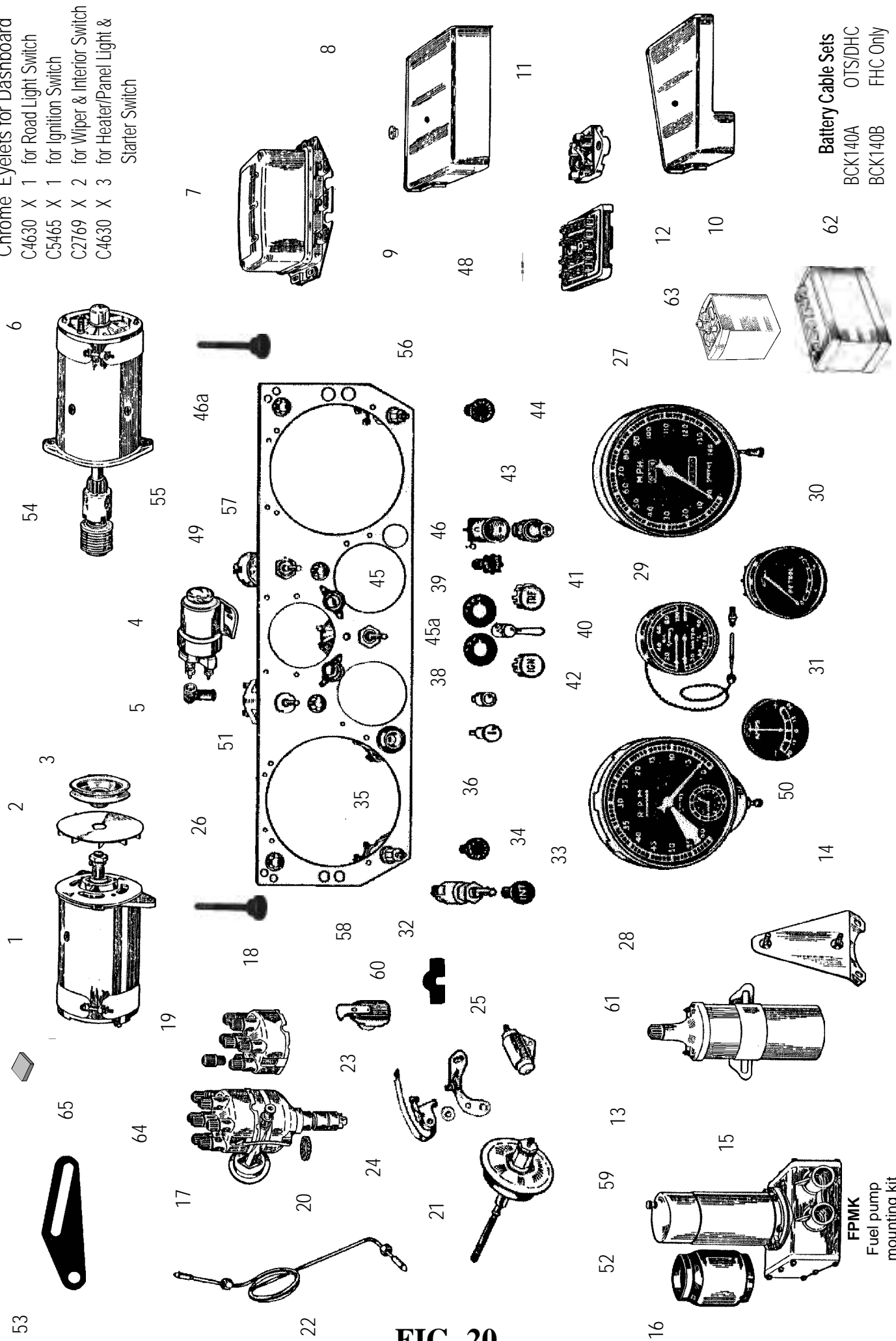


FIG. 19

	PART #	DESCRIPTION	QTY REQ.	REMARKS
1	C9756	Front over-riders	2	New
2	209	Beading between o/riders (front/rear)	8	
3	BD9856	Front number plate panel	1	All models
4	BD9871	Bumper bolt - chromed	4	Dome head
5	BD9246	Plinth panel behind bumper - L/Hand	1	All models
6	BD9247	Plinth panel behind bumper - R/Hand	1	All models
7	BD9874	Outrigger spacer for front bumper	2	All models
8	BIS140F	Bumper iron set - front	Set	4 pieces to a set
9	BD8598	Piping behind front plinths	2	Between plinth & body
10	BD10330	Rear bumper grommets (in wings)	2	
11	BD10331	Rear bumper grommet (in tonneau)	2	
12	BIS140R	Bumper iron set - rear	Set	6 pieces to a set
13	C8344	Spacers between rear bumpers & outriggers	2	
14	C8347	Spacers between rear bumpers & support brackets	2	
15	C8346	Rear over-rider - R/Hand	1	New
16	C9689	Rear over-rider - L/Hand	1	New
18	BD4360	Petrol filler lock assy. - repro	1	No clip required
	BD8071	Clip for original petrol lock only	1	Not required for repro lock
19	BD4357	Petrol filler lid only	1	Bare lid
20	BD4354	Seal around filler lid	1	
22	BD3189	Seal in filler cap	1	In neoprene
23	BD9397	Petrol filler box only	1	Door/hinge not inc.
24	BD4368	Petrol filler hose	1	
25	BD10584	Boot lid only	1	Lid & frame S/hand
26	BD9345	Boot lid rubber seal (sold per foot)	11ft	All models
27	BD4287	Boot lid hinge	2	All models
28	BD9566	Chrome trim on rear tonneau deck (long)	1	Roadster
28a	BD9565	Chrome trim on rear tonneau deck (short)	1	FHC/DHC
29	BD9152	Badge on boot lid	1	New - as original
30	3/05155	Lock barrel in boot handle	1	
30a	12/0327	Boot handle button (lock casing)	1	Chromed
30b	DBS	Return spring for boot button	1	
30c	HW1	Hexagonal washer for boot button	1	
30d	DBC	Circlip for boot button	1	Holds button in handle
30e	BLP1	Boot lock actuator (striker)	1	On end of button assy.
31	BD9090	Boot badge plinth	1	All models
32	BD11265	Boot handle only	1	Bare handle - no button/lock etc
33	BD10245	Rear number plate 'gooseneck'	1	Holds number plate lamp
34	BD11266	Chrome strip under boot handle	1	Under BD11265
35	BD9160	Plate behind boot prop clip	1	Polished stainless
36	BD3839	Spring clip for boot prop	1	
37	BD9932	Rear number plate panel	1	Holds number plate
38	BD9945	Chrome beading - fits on BD9932	1	
39	BPA	Boot lid prop & mount bracket	1	
40	BD9779	Bonnet centre chrome strip	1	FHC
41	BD4616	Bonnet buffer rubber	6	
42	BD10123	Bonnet prop - FHC only	1	FHC
43	BD2954	Bonnet release cable	1	Complete cable
44	BD2952	Guide plate for bonnet catch	1	
45	BD9213	Bonnet centre chrome strip	1	OTS & DHC
46	BD9431	Bonnet badge	1	New - as original
47	BD9262	Radiator grille	1	New
48	BD8426	Bonnet prop - OTS & DHC	1	OTS & DHC
49	BD14943A	Bracket for prop clamp	1	OTS & DHC (see also BD14943)
49a	BD14943	Rubber clamp for bonnet prop	1	
50	BD3428	Escutcheon for bonnet prop - OTS & DHC	1	Chromed
51	BD9164	Air deflector - L/hand	1	
52	BD9165	Air deflector - R/hand	1	
53	BD8432/1	Bonnet safety catch - plate only	1	No hook/spring etc.
54	BD8432/2	Bonnet safety catch - hook only	1	
55	C9751	Front bumper blade (bar) only	1	New - repro
56	C8897	Rear bumper blade (bar) only - R/hand	1	New - repro
57	C8896	Rear bumper blade (bar) only - L/hand	1	New - repro
58	BLA4050	Boot lock mechanism set	Car set	(Not inc. BD9432)
59	BD9432	Boot lock 'U' bar	2	
60	BD4358	Petrol filler door hinge only	1	No lid/spring etc.
61	BD3699	Petrol filler cap	1	
62	BD4394	Spring for petrol filler cap	1	
63	BD4353	Petrol door striker	1	
64	C4443a	Bonnet cable adjuster assy.	1	Screw & abutment post (C3880)
65	BD2950	Bonnet catch/release mechanism	1	Fits on body
66	BD4379	Bonnet hinge	2	OTS/DHC only
67	BD9292	'L' shaped brackets for front bumper plinths	6	
68	BD9872	Front over-rider spacer	2	
69	BBAR	Badge mounting bar	1	As accessory
70	C8348	Bolts for rear overriders	4	
71	BD9213	OTS/DHC bonnet chrome	1	OTS/DHC
72	BD3241	"Tear-drop" for rear of hood location	2	Chromed
73	BT	Drain tube for petrol box	1	Sold as 3ft length
74	BD6581	Rubber buffers on number plate panel	4	
75	BD4919	Bonnet chrome bolt (each)	11	Comes with nut and washers

Chrome Eyelets for Dashboard
 C4630 X 1 for Road Light Switch
 C5465 X 1 for Ignition Switch
 C2769 X 2 for Wiper & Interior Switch
 C4630 X 3 for Heater/Panel Light & Starter Switch



Battery Cable Sets
 BCK140A OTS/DHC
 BCK140B FHC Only

FPMK
 Fuel pump
 mounting kit

FIG. 20

	PART #	DESCRIPTION	QTY REQ.	REMARKS
1	C5453E	Dynamo - reconditioned	1	Exchange only
2	C7428	Fan for dynamo pulley	1	
3	C7427	Dynamo pulley	1	
4	C2692	Starter solenoid complete	1	With BB1 button boot
5	C4650	Rubber boot over solenoid terminals	2	Also (1) on starter motor
6	C2746E	Starter motor - reconditioned	1	Exchange only
7	C8821E	Control box (voltage regulator) - reconditioned	1	Exchange only
8	C8820	Metal cover over fuse boxes	1	Roadster & DHC
9	C5549	Knurled knob on fuse box cover	1	All models
10	C9601	Metal cover over fuse boxes	1	FHC only
11	C16510	Fuse box (2 Fuse)	1	All models
12	C2531	Fuse box (4 Fuse)	1	All models
13	C8749	Coil for ignition (comes with C5451 - nut)	1	All models
14	C5259	Coil mounting bracket	1	Standard engines
	C9129	Coil mounting bracket if using 2" carbs	1	"C" Type head cars
15	C9688	Petrol pump (as original) <u>outright sale</u>	1	Square base
	AZX1319	Petrol pump - more modern replacement	1	Round base
	C9688E	Petrol pump - reconditioned (cap/rotor not included)	1	Exchange only
	C2839	Rubber cover over petrol pump	1	To protect electrics
16	C5517E	Distributor - reconditioned	1	Exchange
17	2927	Distributor cap	1	
18	410600	Nut in distributor cap	7	Acorn nut
19	C2430	Sealing ring for distributor shaft	1	
20	421720E	Vacuum unit for distributor	1	Exchange only
21	C2581	Advance/retard pipe to distributor	1	As original
22	2926	Rotor arm for distributor	1	
23	2929	Contact set for distributor	1	
24	2928	Condenser for distributor	1	
25	C8822	Instrument mounting panel	1	Metal panel only
26	C5389E	MPH speedometer - reconditioned	1	Exchange only
27	C5390E	KPH speedometer - reconditioned	1	Exchange only
28	C2775E	Rev counter only - recon.exchange (clock not included)	1	Early cars - (rev band at 5200)
	C9182E	Rev counter only - recon.exchange (clock not included)	1	Late cars - (rev band at 5500)
29	C1431E	Oil & Water gauge - reconditioned	1	Exchange only
30	C8415E	Petrol gauge - reconditioned	1	Exchange only
31	C2753E	Ammeter - reconditioned	1	Exchange only
32	C5463	Interior light switch	1	Knob not included
33	C5483	Knob on interior light switch	1	
34	C5482	Knob on panel light switch	1	
35	C5459	Ignition switch only	1	Barrel/key not included
36	BD10610	Barrel for ignition switch	1	
37	C5480	Knob for starter switch	1	
38	C8165	Escutcheon for light switch - <u>no fog</u>	1	
39	C9118	Escutcheon for light switch - <u>with fog</u>	1	Cars with fog lamps
40	C5481	Handle for road lights switch	1	Chromed
41	C4626	Lens & bezel for indicator warning ("TRF")	1	Amber colour
42	C4625	Lens & bezel for ignition warning ("IGN")	1	Red colour
43	C11677	Cigar lighter	1	
44	C5485	Knob for heater fan switch	1	
45	C5577	Switch for road lights	1	Off/side/head
45a	C9117	Switch for road lights <u>with fog position</u>	1	Off/side/head/fog
46	C4664	Knob for wiper switch	1	Two-speed
46a	BD8897	Dash knurled screws	2	Holds wooden dash to metal backing
48	C5638	35 Amp glass fuse	6	
49	BB1	Solenoid button boot	1	
50	CL1E	Time clock - (in rev-counter) - reconditioned	1	Exchange only
50a	1963	Adjuster for time clock	1	NEW
51	C5461	Starter push switch	1	Button <u>not</u> included (see C5480)
52	6046	Petrol pump points	1	
53	C2286	Dynamo adjusting bracket	1	
54	2822	Starter pinion only	1	Just outer drive pinion
55	2824	Starter drive pinion assembly	1	Barrel, pinion, sleeve & spring
56	C4543SK	Heater fan switch and knob assembly	1	Replacement for original
57	C5506	Wiper switch (two-speed)	1	Knob <u>not</u> included
58	C5460	Panel light dimmer switch	1	Knob <u>not</u> included
59	AUA869	Terminal plastic nut on petrol pump	1	Holds wire to pump
60	2935	Bridge piece in distributor	1	
61	C5451	"Acorn" nut for coil	1	Holds HT cable in coil
62	C2608	Battery for OTS/DHC - 12 Volt	1	OTS & DHC
63	C9150	Battery for FHC only - 6 Volt	2	FHC only
	BCK140A	Battery cable set	1	OTS & DHC
	BCK140B	Battery cable set	1	FHC only
64	C5452	Brass washer on HT lead	8	In distributor/coil HT leads
65	2784	Brush on commutator in dynamo	2	For C45-PU5 dynamo
66	2943	Drive dog for distributor	1	
67	987	Screw-in bulb for dashboard lights	8	

• For wiring harness and speedo/rev. counter cables see Page 40, Fig. 23. •

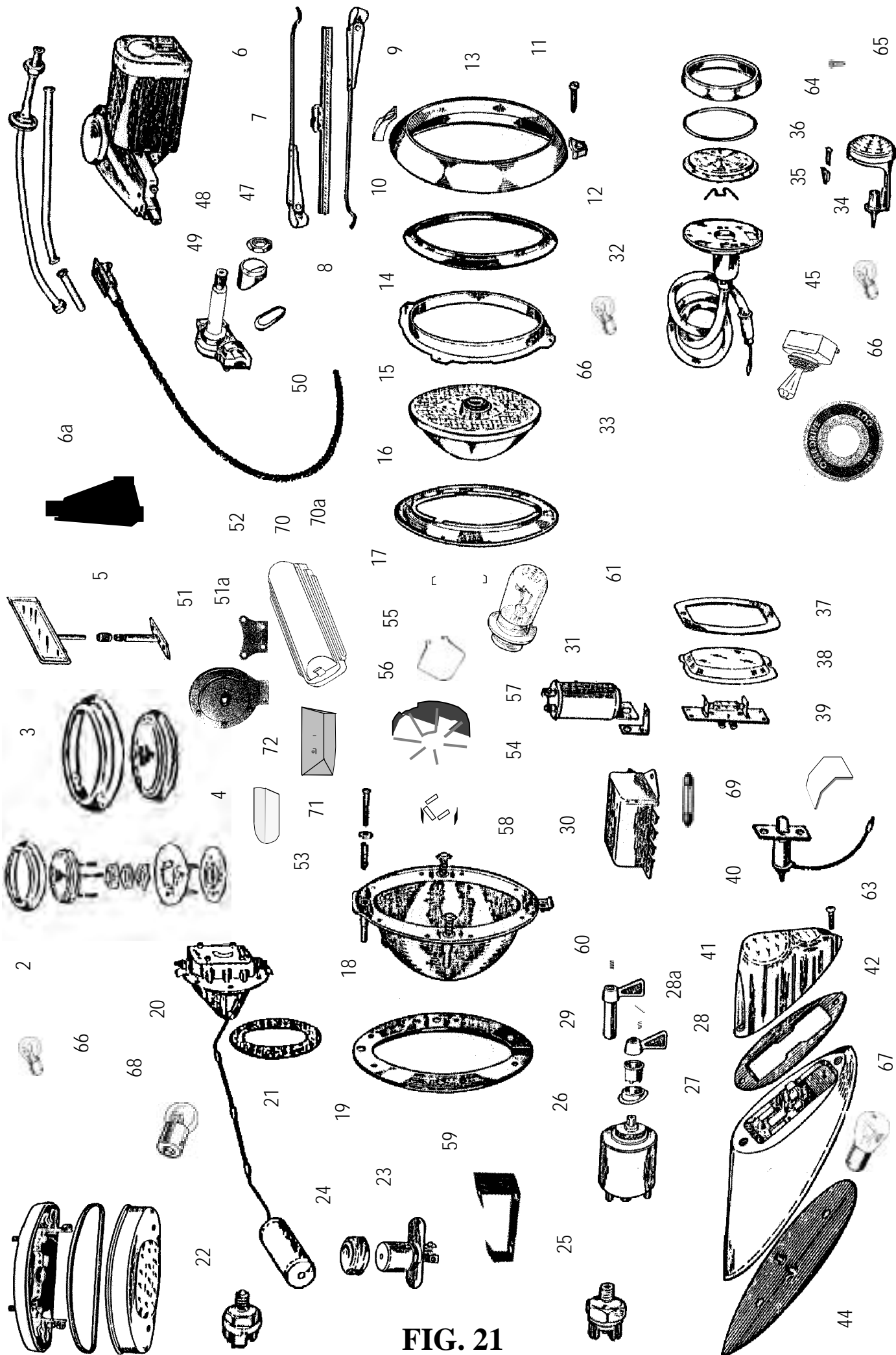
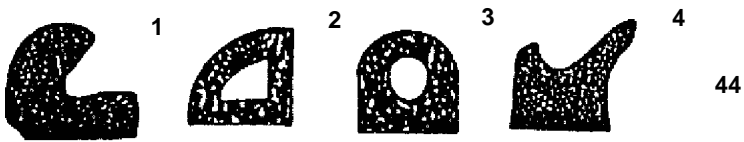


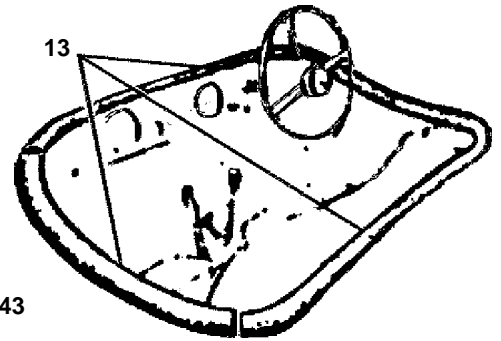
FIG. 21

	PART #	DESCRIPTION	QTY REQ.	REMARKS
1	C2838	Number plate/reverse lamp assembly	1	Chromed
1a	3479	Chromed cover and glass only	1	
2	C5531	Horn push assy	1	Complete assy. incl. 5934 & 5936
3	5936	Moulding around horn push	1	As original, repro
4	5934	Button for horn push only	1	As original, repro
5	C8151	Interior Mirror - complete assembly	1	With adjustable stem
6	C11840E	Wiper motor - reconditioned	1	Exchange only
6a	EL1014	Wiper motor mounting	1	Plate with 3 rubber bobbins
7	7250	Wiper arm - L/Hand	1	In stainless steel
8	C11844	Wiper blade	2	In stainless steel
9	7249	Wiper arm - R/Hand	1	In stainless steel
10	554903T	Chrome embellisher (Top of headlamp rim)	2	
11	5294	Screw - securing rim at bottom	2	Chrome - as original
12	14/0224	Chrome embellisher (Bottom of headlamp rim)	2	
13	5299	Headlamp outer rim only	2	Chrome - not incl. 554903T or 14/0224
14	5293	Rubber inner dust seal for headlamp	2	
15	5301	Retaining rim for 'J' light unit	2	Chromed
16	5303	'J' headlamp unit - <u>repro</u>	2	Lens/reflector unit only
17	5302	Headlamp fixing ring	2	Zinc plated
18	6670	Back bowl for headlamp	2	Fits into headlamp pod
19	3461	Rubber seal - headlight to body	2	
20	C8407	Fuel tank sender unit	1	As original (incl. gasket)
21	C937	Gasket for C8407 sender	1	
22	C1083	Reverse lamp switch - screws into gearbox	1	Also used on o/drive
23	C2639	Headlamp dip switch	1	As original
24	C2659	Rubber cap on above	1	
25	C3901	Stop (brake) light switch	1	
26	C10830	Direction indicator switch	1	New repro - as original
27	C5560	Tapered escutcheon for C10830	1	FHC/DHC only - chromed
28	C10832	Handle on indicator switch	1	Roadsters only
28a	841	Screw for indicator switch lever	1	Roadster only
29	C10831	Handle on indicator switch	1	DHC/FHC
30	C4518	Indicator/brake light relay	1	As original
31	C5230	Flasher unit for indicators	1	
32	C8907	Front indicator lamp	2	Complete unit - incl. C9926
33	C9926	Rubber boot for C8907	2	
34	C4517	Front sidelamp	2	As original
35	C4691	Red warning marker for sidelamps	2	Fits on sidelamp pod
36	C4098/2	Spring clip for C4691	2	
37	532948	Chrome rim on boot interior light	1	For complete set of parts
38	532949	Lens on boot interior light	1*	incl. bulb see BD826/1(#61)
39	BD826	Bulb holder only for boot lamp	1	
40	C2873	Switch for Bootlight	1	Chromed - see also (#62)
41	574635	Tail-light lens	2	
42	574634	Rubber gasket - lens to plinth	2	
43	574654	Tail-light plinth unit - L/Hand	1	Chromed
	574655	Tail-light plinth unit - R/Hand	1	Chromed
44	574890	Rubber gasket - plinth to body	2	
45	C7474	Overdrive switch with illuminating lever	1	As original
46	C8574	Overdrive switch escutcheon	1	Marked - OVERDRIVE - IN - OUT
47	5219	Wiper shaft nut	2	Chromed
48	3/0244	Wiper shaft bezel	2	Chromed
49	C14472	Wiper wheel box assembly	2	Not incl. bezel, nut or seal
50	C5522/2	Rubber seal for wiper bezel	2	
51	C5226	Horn (Hight Note) - original	1	Reconditioned
	C5227	Horn (Low Note) - original	1	Reconditioned
51a	HR1	Pair of horns '60's style	1 (pair)	Repro of 'Lucas'
52	3502	Horn mounting bracket	2	For original horns
53	HLA4050	headlamp adjuster set	2	Screws & springs etc.
54	5298	'Bayonet' adapter for headlamps	2	For <u>original</u> 'J' lamps
55	554909	Metal plate to hold bulb in headlamp	2	For <u>original</u> 'J' lamps
56	6668	Spring to hold bulb in 554909 plate	2	For <u>original</u> 'J' lamps
57	302	Pre-focus headlamp bulb - standard	2	For <u>original</u> 'J' lamps
	302H	Halogen pre-focus h/lamp bulb	2	For <u>original</u> 'J' lamps
	LLB410	Bulb for Repro 'J' lamps - standard	2	For <u>repro</u> 'J' lamps
	HB12	Halogen bulb for Repro 'J' lamps	2	For <u>repro</u> 'J' lamps
58	WA1	Wiring adapter for Repro 'J' lamps	2	For <u>repro</u> 'J' lamps
59	C2837	Mounting bracket for dipswitch	1	
60	C11936	Special screw for indicator switch lever	1	DHC & FHC only
61	BD826/1	Boot (luggage compartment) lamp assembly	1	Bulb, bulb holder, lens & rim
62	C4073	Striker for C2873 boot light switch	1	
63	5281	Screw for tail lamp lens	4	Chromed
64	SLO2	Seal ('O' ring) for front side lamps	2	
65	C4549/2	Screw holding front side lamp	2	Chromed
66	C9126	Light bulb - single contact	5	Front sidelight, front indicators & reverse light
67	C9125	Light bulb - twin contact	2	For brake & taillights
68	C12249	Light bulb - single contact	4	Numberplate & interior lights
69	256	Bulb for boot interior light	1	
70	BD862	Interior light assembly	1	DHC - secondhand
70a	BD14049	(150) Interior light assembly	1	DHC - cheaper alternative!
71	BD5368	Interior light bulb holder - R/hand	1	FHC (lens not included)
	BD5367	Interior light bulb holder - L/hand	1	FHC (lens not included)
72	63	Lens for interior light - R/hand	1	FHC
	64	Lens for interior light - L/hand	1	FHC
73	5322	Lens and rim only for front indicator lamp	2	
74	7395	Inner rack for wiper cable	1	

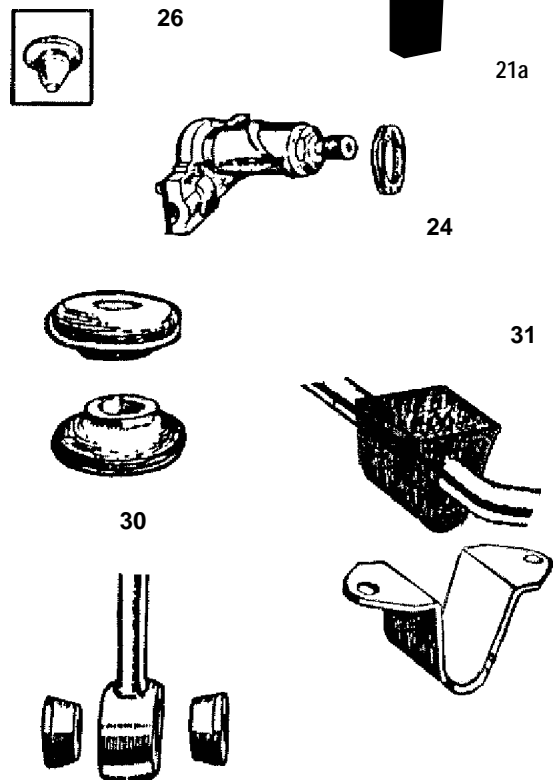
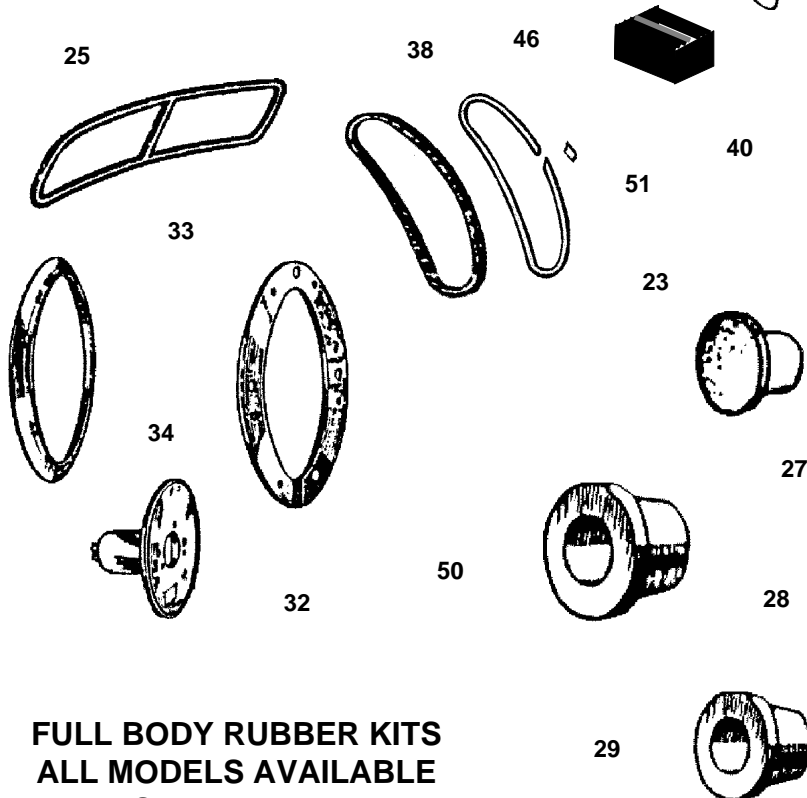
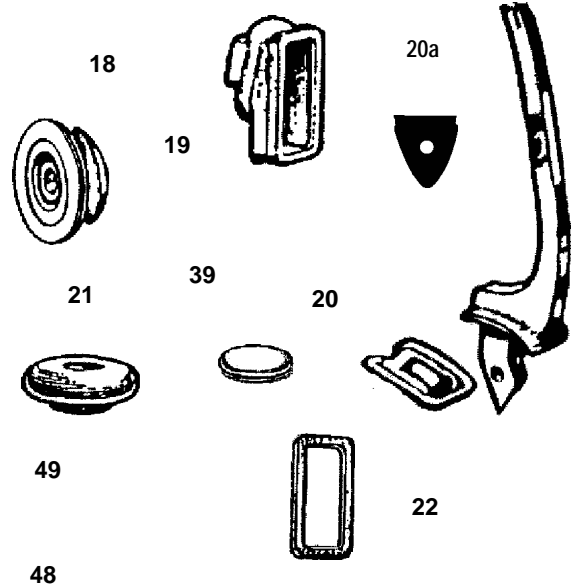
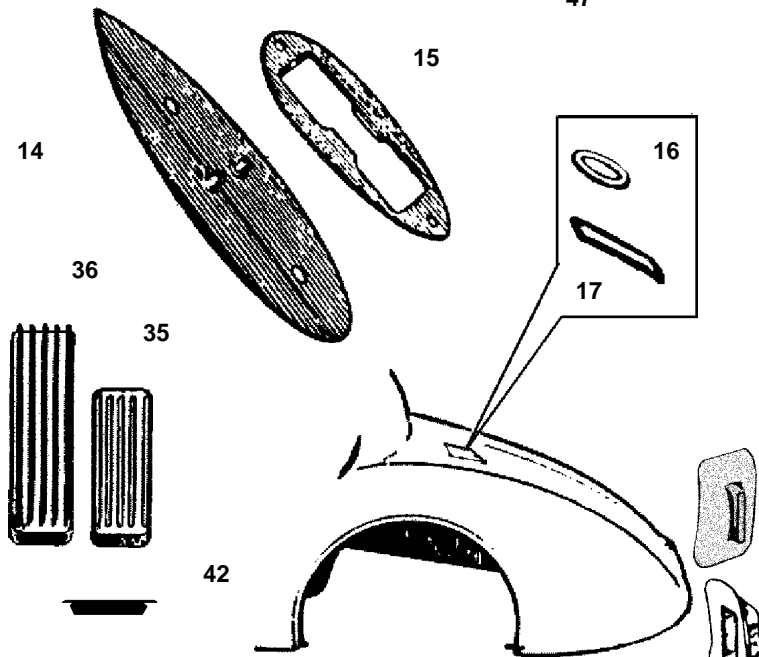
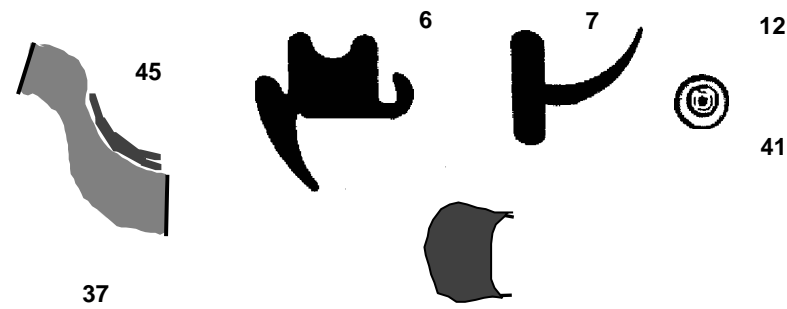


RUBBER GROMMET KIT RGK140 for Bulkhead and Chassis

Cockpit 'D' Rubber



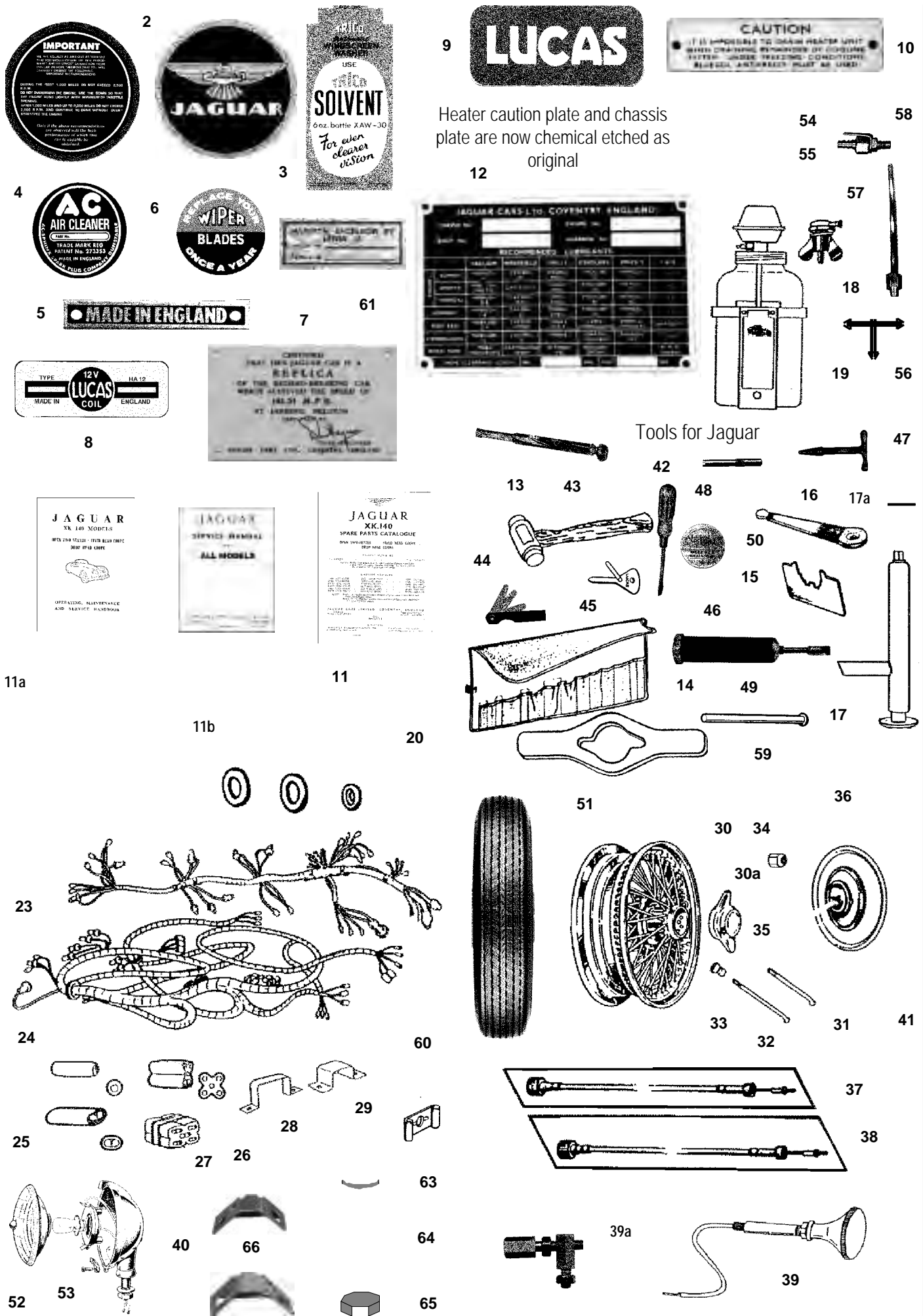
Finisher in cut ends of 'D' rubber - 8 required



FULL BODY RUBBER KITS
ALL MODELS AVAILABLE
SEE PAGE 39

FIG. 22

	PART #	DESCRIPTION	QTY REQ.	REMARKS
1	BD2045	Body seal - Hinge Pillars, sills etc.	Sold per foot	
2	BD4814	Body seal - Hood Cantrails etc.	Sold per foot	DHC only
3	BD2159	Body seal - Shut pillars etc.	Sold per foot	
4	BD9345	Seal - Bootlid	Sold per foot	
6	BD12577	Seal - Rear quarter light	2	Comes as 39" length
7	BD11030	Seal - Door frame to rear quarter light	2 - 4	Also for front 1/4 light
12	ACC34	Grommet - Speedo cable	1	Also in RGK140 kit
13	BD3631	Cockpit 'D' Rubber	Set	Sold as 5 metre set
14	574890	Gasket - Tail-lamp plinth to body	2	
15	574634	Gasket - Tail-lamp lens to plinth	2	
16	BD3189	Seal inside petrol filler cap	1	Round seal - Neoprene
17	BD4354	Rubber seal petrol filler door to body	1	Rectangular seal
18	C8166	Clutch and brake pedal grommet	2	DHC & Roadster
19	21740	Rubber boot on rear brake back-plate	2	Covers cylinder & lever
20	BD3887P	Pads under feet of windscreen side pillars	Pair	Sold as pairs
20a	CPP	Pad under centre windscreen pillar	1	
21	C3053	Rubber buffer at top of rear shock absorber	4	Also in polyurethane
21a	C3273	Conical shock absorber bush	8 front - 2 rear	Also in polyurethane
22	BD5190	Ventilator door seal in front wing	2	Self-adhesive one side
23	1048/A	Plug for jack socket in chassis	2	
24	C5522/2	Rubber seal on wiper spindle	2	
25	BD7960	Windscreen seal	1	DHC & FHC only
26	BD4616	Bonnet buffers on wing	6	
27	C3053	Anti-roll bar link 'eye' bush (top of link)	4	Also in polyurethane
28	C3021	Metalastik bush (bottom wishbones)	8	Also in polyurethane
29	C3003	Metalastik bush (top wishbones)	8	Also in polyurethane
30	C3050	Bush in anti-roll bar link (bottom of link)	4	Also in polyurethane
31	C4349	Anti-roll bar 'D' rubber	2	Also in polyurethane
32	C9926	Boot between indicator & wings	2	Rubber
33	3461	Gasket between headlamps & wings	2	Rubber
34	5293	Rubber seal in headlight unit (dust seal)	2	
35	792	Pedal pad - brake and clutch	2	Roadster & DHC (5.1/2" long)
	C9934	Pedal pad - brake and clutch	2	FHC only (4" long)
36	C3473	Pedal pad - accelerator	1	All models
37	BD4374	Seal - hood to windscreen frame - OTS	1	(Also on spats X 2)
38	BD9759	Rear screen rubber seal - FHC only	1	FHC only
39	C5647	Boot blanking grommet	4	In chassis within boot
40	BD8954	Bonnet prop socket - rubber	1	Holds prop when not in use
41	513	Grommet for oil pressure/temp. gauge lines	1	Also in RGK140 kit
42	SBG	Sill blanking grommet	4	All models
43	BD3630	Cockpit roll bung - chrome plated	8	Use with #13 - BD3631
44	RGK140	Grommet set for bulkhead and chassis	1	44-pce. set.(wiring,fuel & brake lines)
45	BD8598B	Wing piping in Black sold per foot	12ft	For 2 wings
	BD8598R	Wing piping in Red sold per foot	12ft	For 2 wings
	BD8598W	Wing piping in White sold per foot	12ft	For 2 wings
	BD8598S	Wing piping in Silver sold per foot	12ft	For 2 wings
46	BD9760	Rear screen chrome	1	See also page 27
47	C8093	Steering column grommet	1	
48	BD10330	Rear bumper grommets - (in wings)	2	Long 'snout'
49	BD10331	Rear bumper grommets (in tonneau)	2	Short 'snout'
50	FRK140R	Roadster full body rubber kit	1	} Excluding wiring grommets, suspension bushes or brake components
	FRK140D	DHC full body rubber kit	1	
	FRK140F	FHC full body rubber kit	1	
51	BD5366	Joint cover for rear screen chrome	1	FHC



Heater caution plate and chassis plate are now chemical etched as original

Tools for Jaguar

JAGUAR CARS LTD. COVENTRY ENGLAND					
RECOMMENDED		LUBRICANTS			
VALVE	CHASSIS	ENGINE	HYDRAULIC	STEERING	SAFETY
...

CAUTION
 IT IS IMPERATIVE TO OIL HEATER UNIT
 BEFORE CHANGING RESISTORS OR COILS
 WITHIN - UNLESS PREVIOUSLY CONNECTED
 BLEED AIR-DRIVEN MUST AIR LINES!

CAUTION
 THAT THIS LABELLING IS A
 TRADE MARK OF THE
 OF THE SECOND-BRANDING CO.
 WHICH HAS THE RIGHT OF
 TRADE MARK IN THE
 AT LONDON, ENGLAND

FIG. 23

	PART #	DESCRIPTION	QTY REQ.	REMARKS
2	ACC2	Running in decal 'Jaguar' wings	1	Fitted to all XK's
3	ACC3	'TRICO' washer bottle decal	1	As original
4	ACC4	AC air cleaner sticker - round	1	As original
	ACC7	AC air cleaner sticker - square	1	As original
5	ACC5	"Made in England" brass tag	1	Fitted to export cars
6	ACC6	Wiper blade sticker - on washer bottle lid	1	As original
7	BD8294	Exact replica plate (Jabbeke Plate)	1	141.51 MPH
8	ACC8	"Lucas" coil sticker	1	Silver
9	ACC9	"Lucas" battery sticker	-	FHC x 2 - OTS/DHC x 1
10	ACC10	Caution plate (on heater) • chemically etched •	1	Now as original!!
11	ACC40	Spare parts catalogue	1	Reprint of original
11a	ACC41	Service handbook	1	Reprint of original
11b	ACC13	Workshop (service) manual	1	
12	CP140	Chassis plate • chemically etched •	1	Now as original!!
13	C992	Hammer - copper/hide - for wheel spinners	1	Wire wheel cars only
14	C5578	Tool roll in vinyl	1	As original
15	C3993	Cam setting gauge	1	As original
	C2999	Pouch for C3993 - Cam setting gauge	1	Repro
16	C2954	Ratchet handle for jack	1	As original
17	C2953	Jack - exact reproduction	1	With correct foot
17a	BD3527	Rubber boot for end of jack	1	Holds jack in boot
	BD3535	Clip for BD3527	1	Holds jack in boot
	C5217	Leather strap holding jack	1	Holds jack in boot
18	C5473/4	Washer jet	2	As original
19	C5473/1	Washer bottle assembly - OTS & DHC	1	Jar, lid, pump & bracket
	C9179	Washer bottle assembly - FHC only	1	Please enquire
	WBL120	Washer bottle lid only	1	No pump - lid only
20	RGK140	Rubber grommet kit for wiring & brake/fuel lines	1	For bulkhead and chassis
23	WLL140	Wiring loom - braided	1	All models
	ODL140	Overdrive loom	1	Cars with overdrive only
24	ACC24	Snap connector - single	As req.	
25	ACC25	Snap connector - double	As req.	
26	ACC26	Snap connector - 5 way	-	OTS/DHC x 1 – FHC x 2
27	ACC27	Snap connector - 10 way	1	OTS & DHC only
28	ACC28	Bracket for use with 10 way connector	1	OTS & DHC only
29	ACC29	Bracket for use with 5 way connector	-	OTS/DHC x 1 – FHC x 2
30	C12436	Wire wheel Chromed - stainless spokes	5	60 Spoke only
	C14023	Wire wheel painted in silver	5	60 Spoke only
30A	C1102	Spinner for wire wheel R/Hand	2	As original - 2 ear
	C1103	Spinner for wire wheel L/Hand	2	As original - 2 ear
31	C5603	Spoke - short for 16" wire wheel	}	State
32	C5602	Spoke - long for 16" wire wheel		quantity
33	C5604	Nipples on spoke end		required - not stainless
34	C3041	Wheel nut	20	Steel wheel cars only
35	C3367	Jaguar badge in hub-cap centre	4	Steel wheel cars only
36	C3243	Hub-cap (Badge #35 not incl.)	4	Steel wheel cars only
37	C8303	Speedo-cable - non overdrive cars	1	Standard transmission
	C11964	Speedo-cable - overdrive cars	1	Overdrive transmission
38	C8273	Rev counter cable - 21" long	1	Roadster
	C5594	Rev counter cable - 19" long	1	Drophead coupe
	C9154	Rev counter cable - 13.1/2" long	1	Fixedhead coupe
39	BD2954	Bonnet release cable- inner & outer	1	
39a	C4443a	Bonnet cable adjuster assembly	1	Screw and abutment post (C3380)
40	SFT576	Fog lamp - complete unit	2	New "Lucas" repro
	SLR 576	Spot lamp - complete unit	2	New "Lucas" repro
	FLK1	Fog/spot lamp fitting kit	2	Complete set of fittings
41	C14602	"Ace" Rimblisher (stainless steel)	4	Period option
42	C993	Tyre valve extractor in brass	1	As original
43	C4670	Gauge for tyre pressures - original	1	When available
44	C5587	Feeler gauge set	1	
45	C5444	Feeler gauge/screwdriver for distributor	1	As original
46	C4560	Grease gun - Early •New repro•	1	As original
	C10176	Grease gun - Late	1	As original
47	2072	'T' key for budget locks & spats	1	As original
48	C4585	Screwdriver - repro "Jaguar"	1	Repro
49	C34	Tommy bar - short	1	Repro
	C2896	Tommy bar - long	1	Repro
50	C2958	Brake bleed tube tin	1	As original
51	C3760	Dunlop "Roadspeed" crossply tyre	5	As original
	MICH	Michelin 'X' Radial tyre - SR rated	5	Radial replacement
	AVON	Avon 'Turbosteel' Radial tyre - VR rated	5	Radial replacement
	C5636	Inner tube for tyres	5	
	C5636B	Band on wheel rim (rubber)	5	Protects tube from spoke ends
52	5296	Fog lamp lens/reflector unit only	2	To fit SFT 576 Fog lamp
	5296S	Spot lamp lens/reflector unit only	2	To fit SLR 576 Spot lamp
53	323	Spot/fog lamp bulb	2	To fit SLR or SFT lamp
54	C13260	Vacuum hose for windscreen washer	1	Sold as car length
55	WJT	Hose from washer bottle to jets	1	Sold as car length
56	C5473/6	"T" piece for washer jets	1	
57	C11490	Vacuum take-off adapter for washers	1	Screws into manifold
58	C11491	Vacuum non-return valve	1	In line (fits in C13260 hose)
59	ST1	Wooden tool to remove wheel spinners	1	Protects the chrome!
60	C5204	Earth terminal fitting	1	
61	ACC23	"Marston" radiator brass plaque	1	Fits to radiator tank
62	FLK1	Fog lamp mounting kit	1	Complete kit for 2 lamps
63	BD14162	Fog lamp distance collar	2	Chromed
64	C8297	Grommet for fog lamp mounting	2	
65	5220	Long nut for fog lamp mounting	2	
66	BD9242/3	Fog lamp brackets	Pair	

HOW TO ORDER – TERMS & CONDITIONS

POLICY - It is our policy to offer the widest range of parts available at competitive prices, coupled with a friendly and helpful service.

ORDERING - We welcome visitors to our premises, or orders can be made by mail or telephone on the following numbers:

MONDAY TO FRIDAY -	9.00 AM TO 5.30 PM	01676 541980
	OR MOBILE:	07860 505619
	FAX LINE:	01676 542427

PAYMENT - Payment may be made by cash, personal cheque, up to the guaranteed limit or by certified bank draft. Access (Master Charge) and Visa Credit Cards are accepted and are particularly useful for telephone orders.

UK EXCHANGE UNITS AND SURCHARGES - Certain items are available on an exchange basis, that is, your old unit must be returned to us for reconditioning. If an old unit is not returned to us at time of ordering, a deposit surcharge is payable. These surcharges are clearly identified in the Guy Broad Price List. Upon receipt of the old unit the surcharge will be refunded, provided that the return unit is of reconditionable quality. Some units are only offered as customer own unit rebuilt due to rarity. Finally, if in doubt, please telephone.

OVERSEAS ORDERS - When ordering from abroad, please ensure you enclose full details of your car, i.e. engine, chassis number, left hand or right hand drive, year of manufacture etc. Goods will be sent all carriage charges forward unless pre-paid.

Note: overseas orders are subject to local import duty and customs clearance which will need to be paid at point of entry.

EXPORT QUOTATIONS - These may be obtained by fax, mail or telephone on the above numbers. Payment for export purchases may be made by the following methods; Sterling Travellers Cheques, Eurocheque, Access or Visa (Barclay) Card, Giro Cheque or Bank Transfer against a quotation.

EXPORT EXCHANGE UNITS - We regret that, on export orders for items that are supplied on an exchange basis, it is essential that an old unit of reconditionable quality is received before any item is supplied to the customer.

CARRIAGE/PACKING CHARGES - We will use the most economical method available to send your goods. For urgent orders, please contact our telephone sales staff, who will advise you.

BACK ORDERS - We try to keep large stocks of all items listed in the catalogue, but occasionally we exhaust our stocks. If we are unable to supply any ordered items within 14 days, the order will be considered cancelled unless you state otherwise. A full refund for any items charged but not supplied will be made on cancellation of the order.

WARRANTY - All parts are fully warranted against defects in materials and workmanship. In most cases, warranty will not cover labour, failure of a related component, failure resulting from faulty installation or misuse, nor would liability exceed the cost of the original component. During the Warranty Period (usually 12 months) please contact us immediately if any problem occurs. We will then advise you as to the best course of action. **With all claims a copy of the purchase invoice must be provided.**

QUERIES, ADVICE, RETURNS - If you have any problems with items purchased from Guy Broad Parts, we will do our best to answer them. Please telephone a member of our sales staff.

TERMS AND CONDITIONS OF SALE

- 1 Payment must be made for all orders prior to despatch unless other arrangements have been made.
- 2 All parts supplied carry manufacturers warranty, this does not affect your statutory rights. The invoice number must be supplied with any claim regarding faulty parts.
- 3 All mail order parts are insured by us or our appointed carrier. Claims of shortages or damage must be notified within three days of receipt of the order.
- 4 Goods damaged in transit. We are unable to replace goods if they have been signed for 'Received in Good Condition'. Do not sign until you have verified the condition of the delivered consignment.
- 5 Placement of an order will be taken as acceptance of the foregoing conditions.

Through our policy of friendly and efficient service, we hope to offer the best service available. Your support is greatly valued and your continued custom appreciated.

Whilst every effort is made to ensure the accuracy of the particulars contained in this document, Guy Broad Parts and any Manufacturing Companies will not, in any circumstances, be held liable for any inaccuracies or the consequences thereof.