

# USING THIS CATALOGUE

We have endeavoured to show, by pictures or text, the most frequently used and available items that we hold in stock for the XK 120 range only. Some items are new, some new/old stock, some reproduction and some old secondhand - please state your requirements.

As there are three distinct models, each supplied originally in left hand drive (LHD) format and right hand drive (RHD) format, it is imperative that you tell us at the time of first contact just exactly what you own - ie. RHD Drophead 120 etc. The aluminium XK 120 (Ali 120) is such a different vehicle, please state this very clearly when talking to us. Also some of the very early steel-bodied 120's have unique early parts, again please state this at all times.

We use all the obvious abbreviations, as follows:

Ali 120	Aluminium XK 120
120OTS or 120R	XK120 Roadster
120DHC	XK120 Drophead Coupe
120FHC	XK120 Fixedhead Coupe
S.E. or S/E	Special Equipment
LHD	Left Hand Drive
RHD	Right Hand Drive

## IDENTIFYING YOUR CAR

All 120's have a chassis number firmly stamped on the flat surface on the near side - looking down at a point adjacent to where the exhaust pipes exit beneath the bulkhead. This same number is also stamped at the point under the radiator.

The Chassis numbers are as follows:

Ali 120 RHD	- 660001 to 660058
Ali 120 LHD	- 670001 to 670184
Roadster 120 RHD	- 660059 and on for steel bodied cars
Roadster 120 LHD	- 670185 and on for steel bodied cars
Drophead 120 RHD	- 667001 and on
Drophead 120 LHD	- 677001 and on
Fixedhead 120 RHD	- 669001 and on
Fixedhead 120 LHD	- 679001 and on

The letter 'S' as a prefix - denotes Special Equipment.

The term 'Special Equipment' can be very misleading as there were many options available to the original owners in 1950/54, however, as a general rule all 'S' prefixed cars/chassis were fitted with wire wheels.

### Engine Number

All 120's have an Engine numbered with a prefix "W" ie. from W.1001 to W.9999 and then engines prefixed F.1001 and on. These are suffixed with the number 7, 8, or 9 (which we've never seen!) which denotes the compression ratio of the engine. Because 7 to 1 pistons are now not available - replacement units are always 8 to 1.

The engine number is stamped on the flat surface of the block at the point where the oil filter unit bolts to it. The cylinder head bore the same number, when the cars were new. This of course can differ now, as over forty years have passed since most of the cars were new. The cylinder head number appears on the inside bridge point where the front cam covers meet. If there is no number on your cylinder head, this probably denotes a factory replacement unit at some time. As with chassis, the letter 'S' as a suffix to the number, indicates 'Special Equipment'.

### Gearbox Number

120's are fitted with non-overdrive gearboxes in series "JH" or "SH" and "JL". JH and SH are fitted to early 120 Roadsters - to approx December 1951 - from then on most cars 120R/120DHC/120FHC are fitted with JL boxes. The gearbox number is stamped on the lid around the large rear core plug and also on the very small flat surface on the left hand side upper case of the box - see the gearbox illustration.

### Body Number

120 Roadsters have a body number commencing F.1001 and onwards, 120 Dropheads - P.1001 and up and 120 Fixedhead - J.1001 and up. This number is stamped on a small tag on the upper part of the nearside bulkhead above the control box.

## CONTENTS

FIG 1	Page 4	Engine	FIG 14	Page 24	Single line braking system
FIG 2	Page 6	Cylinder head	FIG 15	Page 26	Front & rear brakes - <b>Late</b>
FIG 3	Page 8	Carburettors	FIG 16	Page 28	Dual Line Brake System
FIG 4	Page 10	Gearbox	FIG 17	Page 30	Body parts common to all
FIG 5	Page 11	Clutch Mechanism	FIG 18	Page 32	Doors & windows
FIG 6	Page 12	Suspension, wishbones	FIG 19	Page 34	Interior & screens
FIG 7	Page 13	Anti-roll & torsion bars	FIG 20	Page 35	Hoods & screens
FIG 8	Page 14	Front hub, stub axle & Balljoints	FIG 21	Page 36	Rubber parts
FIG 9	Page 16	Steering	FIG 22	Page 37	Heating system
FIG 10	Page 17	Throttle linkage	FIG 23	Page 38	Instruments & switches
FIG 11	Page 18	Rear axle & propshaft	FIG 24	Page 40	Electrical parts
FIG 12	Page 20	Chassis, radiator & exhaust	FIG 25	Page 42	Decals, washers, wheels, tools, wiring, cables, fog lamps, books. etc.
FIG 13	Page 22	Front & rear brakes - <b>Early</b>			

## DETAILS OF CONTENTS

Accessories	42	Ignition	6/40
Air Cleaners	8	Lamps	40
Badges	30/42	Manuals	42
Bearings, Engine	4	Master Cylinders	24/28
Body Parts & Fittings	30 - 36	Mirrors	30/34/35
Books	42	Oil Filters	4
Brakes	22 - 28	Oil Pump	4
Brake Cables	24	Petrol Tank	20
Brake Hoses	24/28	Pistons	4
Bumpers	30	Radiator	20
Carburettors	8	Rear Axle	18
Carburettor Rebuild Kits	8	Relays	40
Charging System	40	Rubber Parts	32 - 36
Chrome Trim	30 - 35	Sending Unit, Fuel	40
Clutch	11	Shock Absorber	20
Clutch Hydraulics	11	Silencers	20
Cooling System	20	Spark Plugs	6
Decals	42	Speedometer Cables	42
Differential	18	Springs, Road	20
Distributor	40	Stainless Steel Exhaust	20
Door Fittings	32	Starters	40
Door Seals	32/36	Steering	16
Dynamo	40	Suspension (front)	12 - 14
Electrical	38 - 40/42	Switches	38
Engine	4	Tachometer Cables	42
Engine Mounts	4	Tail Lamps	40
Exhaust System	20	Thermostat	20
Fog Lamps	42	Timing Chains	6
Front Suspension	12 - 14	Tools	42
Fuel Pump	40	Transmission	10 - 12/18
Gasket Sets	4 - 6	U-Joints	18
Gearbox	10	Valves, engine	6
Grilles	30	Voltage Regulators	40
Grommets	42	Water Pumps	4
Handbrake Cables	24	Wheels (Wire)	42
Headlamps	40	Wheel Bearings (Front)	14
Heater	37	Wheel Bearings (Rear)	18
Hoses, Radiator	20	Windscreens	34 - 35
Hubcaps	42	Wiper Motor	40
ID Plates	42	Wiring Harnesses	42

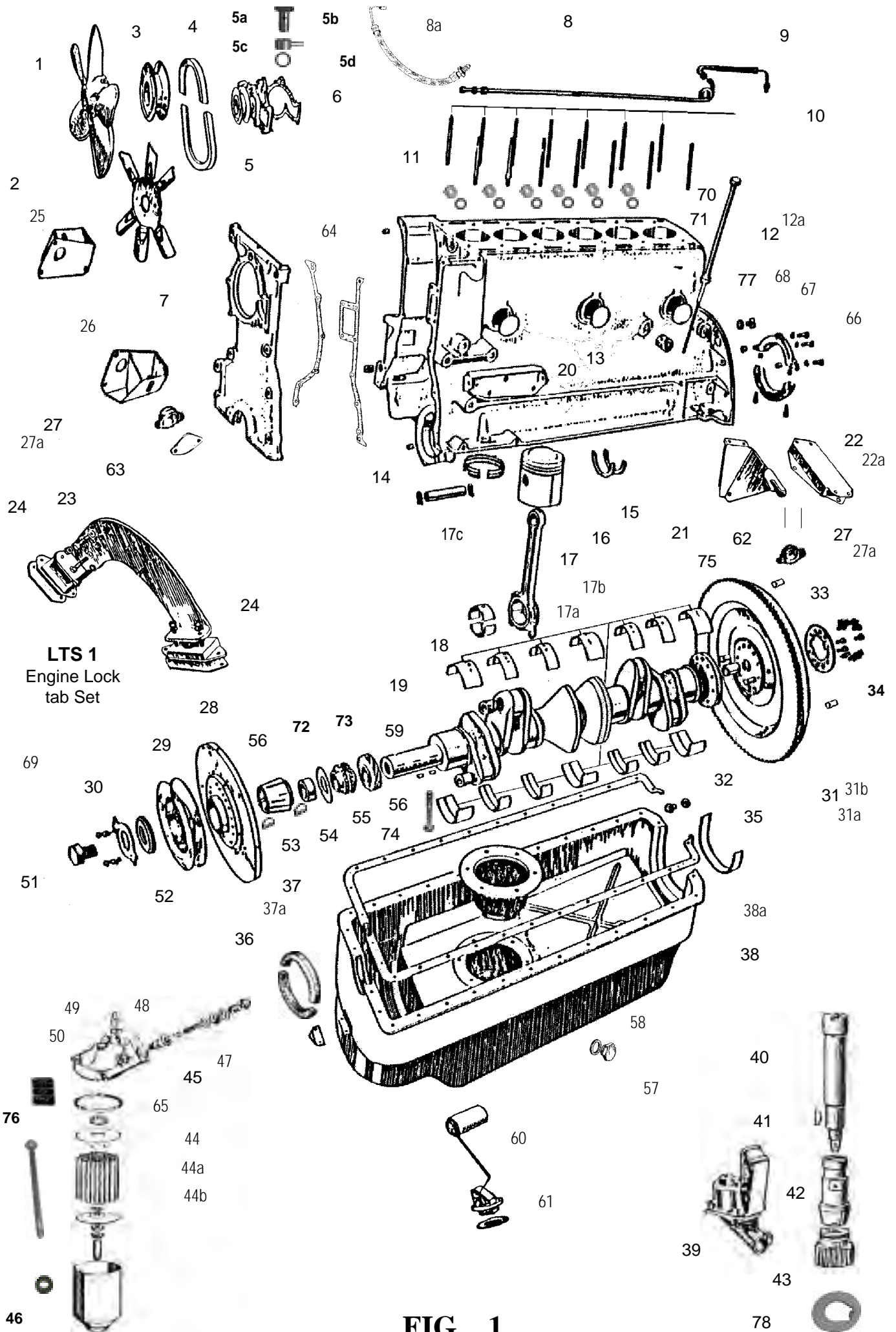


FIG. 1

	PART #	DESCRIPTION	QTY REQ	REMARKS
1	C2231	Fan (alloy 5 bladed)	1	Early cars - to Engine W5464
2	C6747	Fan (tin 6 bladed)	1	Late cars
3	C2446	Fan pulley	1	Early cars
4	C2240	Fan belt	1	Early cars
	C5056	Fan belt	1	Late cars
5	C4946	Water pump (5 bladed fan)	1	Please enquire (early cars)
	C6746	Water pump (6 bladed fan)	1	Late cars
	WPK120	Water pump rebuild kit	1	Fits early & late pumps
5a	C1506	Banjo bolt for water pump - Early	1	Cars <b>without</b> heater
5b	C4403	Banjo bolt for water pump - Late	1	Cars <b>with</b> heater
5c	C1505	Banjo for water pump	1	Cars <b>without</b> heater
			2	Cars <b>with</b> heater
5d	C2296/1	Copper sealing washer	As required	
6	C2303	Water pump gasket	1	Comes with pumps or kit
7	C2238	Front timing cover - Early	1	To W1913
	C2238/1	Front timing cover - Late	1	W1914 onwards
8	1425	Oil pipe to gauge	1	Rigid copper pipe
8a	OFP1	Special oil flex pipe to gauge	1	Option for easier removal of dashboard
9	C8068	Flexible oil pipe	1	Goes from 1425 to oil filter
10	C2269	Cylinder head stud	13	Plain stud
11	C2270	Dowel stud for cylinder head	1	Dowel stud
12	C2348	Engine oil dipstick	1	
12a	DSF1	Felt seal for dipstick	1	
13	C315	Core plug	7	
14	PRS34	Piston ring - <b>state oversize required</b>	Set	For 6 pistons
15	C2316	Thrust washer - <b>oversize available</b>	Pair	Sold as pair only - O/size is C2316/1
16	C12098	Pistons - <b>state oversize required</b>	Set	Set of 6 with rings, gudgeon pins & circlips
17	C5835	Con rod	6	Please enquire
17a	C2361	Con rod nut	12	Special self locking nut
17b	C3944	Con rod bolt	12	
17c	C2439	Small-end bearings in conrods	6	
18	C16295	Big end bearings <b>state oversize required</b>	Set	Sold as set of 12 halves
19	C16293-4	Main bearings <b>state oversize required</b>	Set	Sold as set of 14 halves
20	C8620	Dynamo mounting bracket	1	
21	C2370	Torque arm bracket <b>RHD cars</b>	1	Fitted in RHD cars
	C2371	Torque arm bracket <b>LHD cars</b>	1	Fitted in LHD cars
22	C478	Rear engine/gearbox mounting - <b>early cars</b>	1	For early cars - large square type
22a	C4304	Rear engine/gearbox mounting - <b>late cars</b>	2	For late cars - later "bobbin" type
23	C6805	Front engine plate - <b>early cars</b>	1	To approx Dec 1951
24	C428	Front engine mounting - <b>early cars</b>	2	To approx Dec 1951
25	C6256	Front engine mounting bracket R/hand - <b>later cars</b>	1	From approx Jan 1952
26	C6255	Front engine mounting bracket L/hand - <b>later cars</b>	1	From approx Jan 1952
27	C4794	Engine mounting - <b>later cars</b>	3	2 Front - 1 Rear - round type
27a	NS150/7D	Engine mounting to engine bracket bolt	3	For later type engine mountings
28	C15274E	Crankshaft damper	1	Exchange
29	C2469	Fan pulley on crankshaft	1	
30	C2467	Locking tab on crank pulley	1	
31	C4809E	Flywheel - refaced with new ring gear	1	Exchange - ( <b>lightened also available</b> )
31a	C4809RG	Flywheel ring gear only	1	<b>Specialist job to fit!</b>
31b	C1782	Dowel for locating clutch to flywheel	2	
32	C2226S	Needle roller spigot bush (bearing)	1	Replaces standard bush
33	C4810	Locking washer for flywheel	1	
34	C4855	Set screw - secures flywheel to crankshaft	10	
35	C2302	Cork seal at rear of sump	1	
36	C2306	Asbestos rope seal at front of sump or C2306C (uprated)	1	Comes as 2 halves
37	C16319	Sump gasket	Pair	Sold as 2 halves
37a	SGS1	Sump gasket set (conversion set)	1	
38	C2359/1	Sump	1	S/hand available
38a	C2392/1	Rear baffle for sump	1	New!
39	C4715E	Oil pump - <b>EXCHANGE ONLY</b>	1	<b>Must have old pump first</b>
40	C2150	Oil pump drive shaft	1	
41	C753	Woodruff key in oil pump shaft	1	
42	C2174	Bush on oil pump shaft	1	
43	C2152	Oil pump drive gear	1	
44	FG2421	Oil filter element - <b>Felt</b>	1	Original felt type
44a	PF2421	Late oil filter element - <b>Paper</b>	1	
44b	1535	Early oil filter element (14cm long)	1	Available in paper only
45	118076	Pressure relief valve - <b>Use RVK1 kit</b>	1	Use RVK1 kit (inc. spring)
46	2728	Rubber washer on oil filter bolt	1	
47	2742	Oil pressure relief spring - <b>Use RVK1 kit</b>	1	Use RVK1 kit (inc. valve)
48	C2248	Gasket - oil filter housing to block	1	
49	2695 or 2698	Adapter screw for gauge take-off	1	2695 Early - 2698 Late cars
50	C3926	Copper washer for 2695	1	
51	C5896	Bolt for crank damper	1	Secondhand only
52	C2468	Washer behind C5896 bolt	1	Secondhand only
53	C2466	Damper to crank cone	1	
54	C2173	Spacer on crank	1	Secondhand only
55	C2170	Timing gear on crankshaft	1	
56	C757	Woodruff key front of crankshaft	4	
57	C2364	Drain plug for sump	1	
58	C2296/1	Copper washer for drain plug	1	
59	C4283	Crank plug	6	
60	C2349	Oil level sender in sump	1	Early cars only to Eng.No. W6148
61	C937	Gasket for C2349 Sender	1	Early cars only
62	C3491	Spacer for engine stabiliser bolt	1	
63	C6790	Engine mounting shims	As required	
64	C4466	Timing cover gaskets	Pair	
65	5911	Oil filter bowl to filter head seal	1	5mm wide section
66	GMB10	Seal conversion for rear of crankshaft	1	Includes seal
67	C2157	Plug in rear of cylinder block	1	For oil gallery
68	C2296/2	Copper washer for C2157 plug	1	For oil gallery
69	LTS1	Lock-tab set for engine	1	<b>Complete set</b>
70	C2352	Plug for oil gallery in block	6	
71	C2296/3	Copper sealing washer for C2352	6	
72	C2283	Oil thrower on front of crank	1	
73	C2314	Gear on front of crank driving oil pump	1	
74	C2262	Bolts for crank bearing caps	14	
75	C2313	Dowels in rear of crankshaft	2	Locating flywheel
76	OFHP	"Tecalemit" plaque on oil filter head	1	
77	C2354	Drain tap	1	
78	C2151	Lock-tab for distributor/oil pump	1	

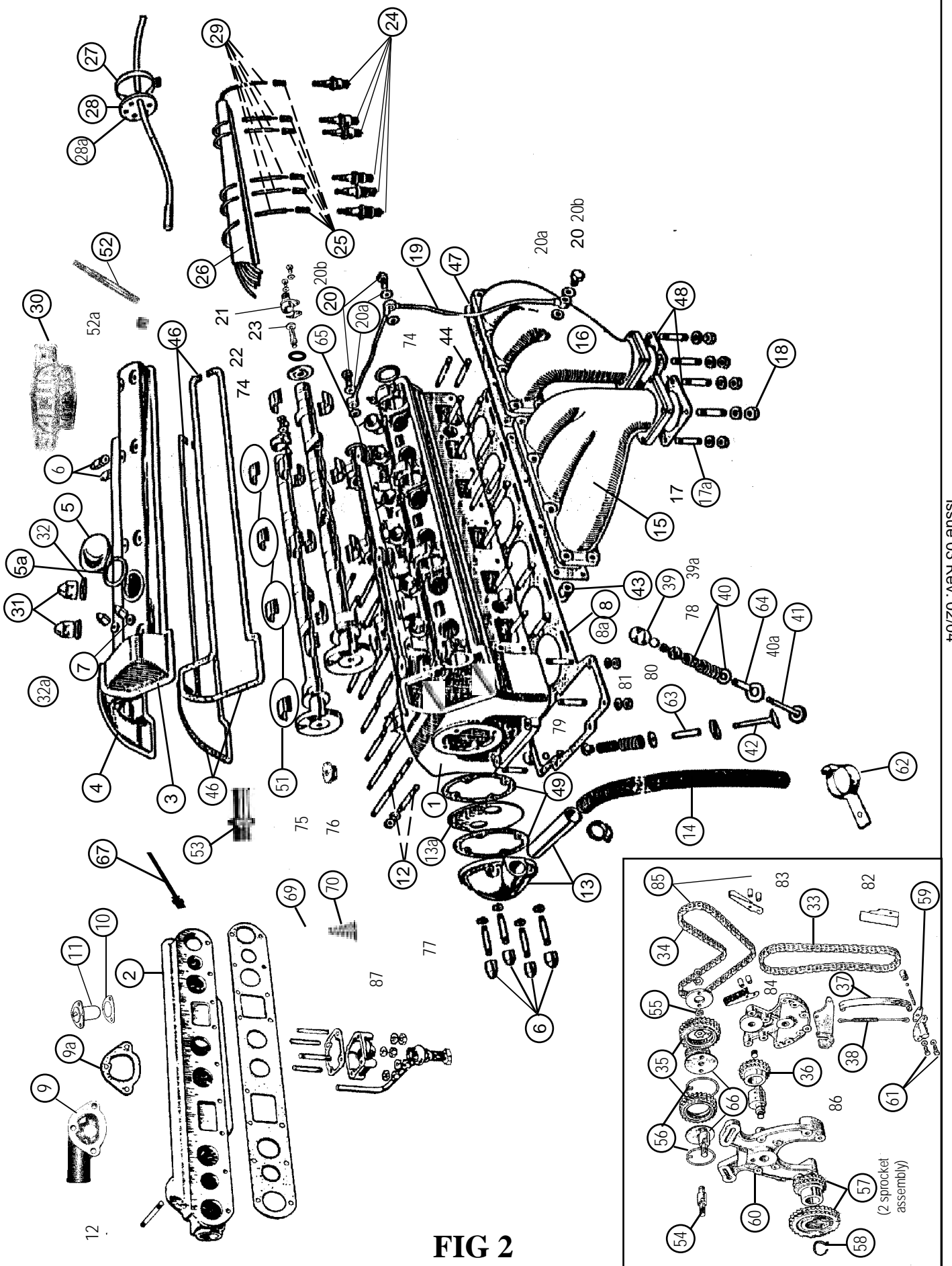
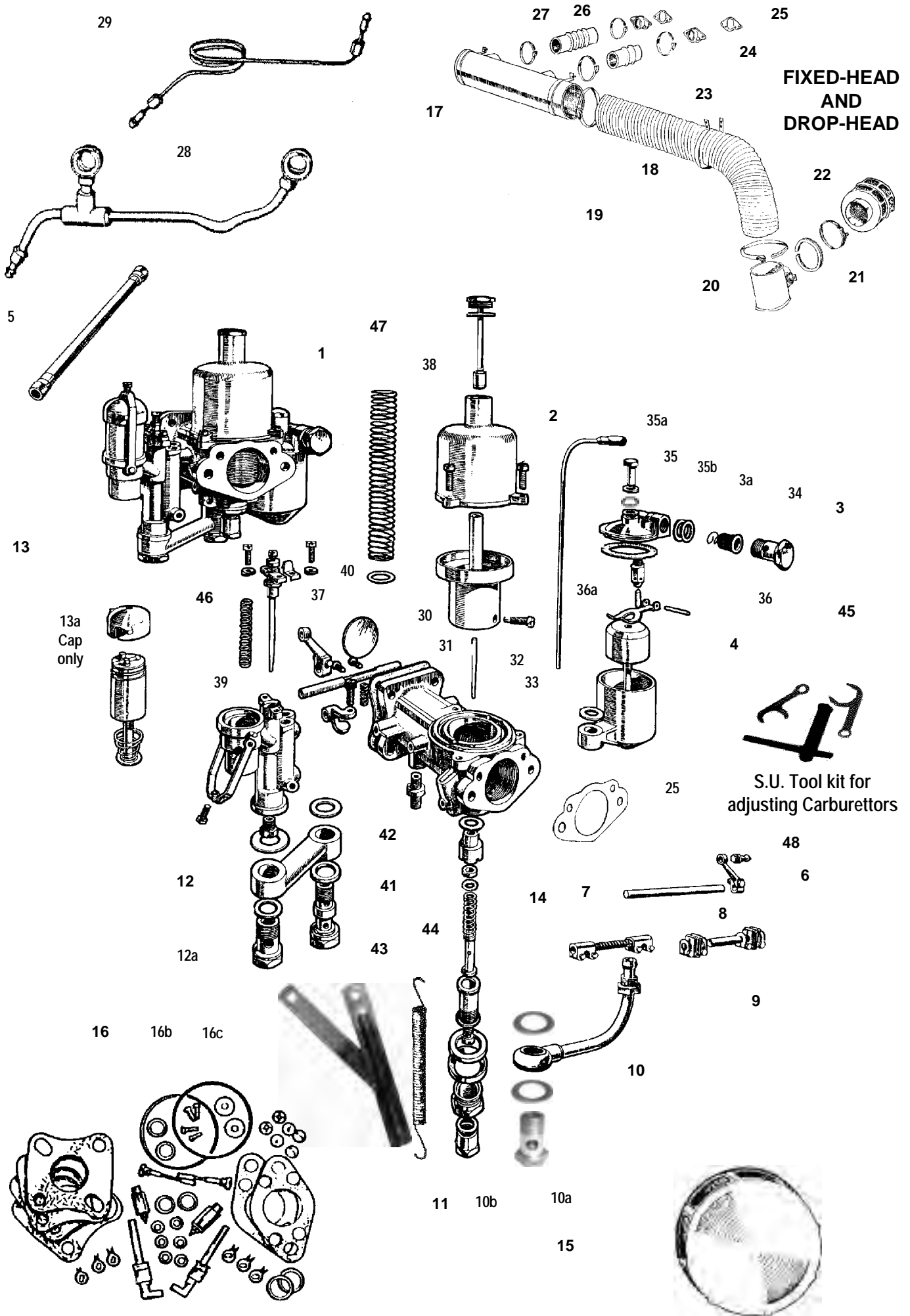


FIG 2

	PART #	DESCRIPTION	QTY REQ	REMARKS
1	C2242	Cylinder head (studless)	1	Fitted up to engine W4690
	C6733	Cylinder head	1	Fitted to all engines from W4691 - on
2	C4953	Inlet manifold	1	Secondhand available
3	C7185/6	Camshaft cover R/Hand	1	Refurbished original
4	C7185/6	Camshaft cover L/Hand	1	Refurbished original
5	C1022	Oil filler cap	1	Fits on lefthand cover
5a	C419	Seal for oil filler cap	1	Fits on C1022 cap
6	C2327	Cam cover & engine breather nuts	26	(22 on covers, 4 on breather)
7	FW104E	Copper washers under C2327	26	(22 on covers, 4 on breather)
8	HGS120	Cylinder head gasket set	1	Complete set for head
8a	C7861	Head gasket only	1	For full set see HGS120
9	C2449	Water outlet elbow - <b>FOR LATER CARS</b>	1	Engine W1251 onwards
9a	C2380	Gasket for water elbow	1	For C2378 elbow to manifold
10	C2475	Gasket for 'Otter' switch	1	
11	C2474	Choke 'Otter' switch	1	Gasket included
12	GMB120	Inlet manifold stud set	1	Sold as set of 19 pieces only
13	C2389	Front engine breather cover	1	
13a	C2390	Baffle for engine breather	1	Fits under C2389
14	C2485	Breather pipe for engine	1	
15	C2213	Front exhaust manifold	1	Re-enamelled - vitreous
16	C2214	Rear exhaust manifold	1	Re-enamelled - vitreous
17	C2369	Stud in manifold flanges for down pipes	8	
17a	C2369S	<b>Stainless steel</b> downpipe studs	8	As option
18	NN137Q	Downpipe brass nuts	8	
19	C5849	Oil pipe for cylinder head	1	From block to cylinder head
20	C5846	Banjo bolt for oil pipe	3	For C5849 pipe
20a	C4146	Copper washer for banjo's	6	For C5849 pipe
20b	C5846L	LONGER banjo bolt for oil pipe	3	If threads are damaged
21	C21x53/1	Rev counter cable adapter	1	Aluminium part with seal only
22	C2176	Rev counter adapter drive shaft only	1	
23	C2428	Oil seal only for adapter	1	
24	C2460	Spark plugs	6	Champion
25	C5479	<b>Original style</b> plug end caps	6	
26	C2451	Conduit for HT leads	1	
27	C4982	Clip holding HT lead spacers	1	Chromed
28	C4983	Spacer for HT leads (thick)	2	
28a	C4984	Spacer for HT leads (thin)	3	
29	C2431	HT leads in 21 ft length	1	Just HT lead, ends <b>not</b> included
30	C9099	Jaguar type 'C' Badge	2	Not fitted as original
31	C2328	Cylinder head chrome nut	14	Chromed
32	C2385	'D' washer for cylinder head nuts	12	Chromed
32A	FW207T	Chrome round washer	2	Used at front of head
33	C2255	Bottom timing chain	1	82 link chain
34	C2256	Top timing chain	1	100 link chain
35	C2169	Cam shaft sprocket	2	On end of camshafts
36	C2308	Idler sprocket assembly	1	Includes C2319 bush
37	C8245	Timing chain tensioner blade	1	
38	C4101	Spring for C4101 blade	1	
39	C7213/1	Tappet for valves	12	
39a	C2243	Valve tappet shims - <b>STATE SIZES WHEN ORDERING</b>	As req.	0.025" to 0.110"
40	C7136/7	Set of inner/outer valve springs	1	Set of 12 inner/12 outer
40a	C2181	Seat for valve springs	12	
41	C8248	Inlet valve	6	
42	C8313	Exhaust valve	6	
43	NN131/Q	Exhaust manifold to head nut	16	
44	C2325	Exhaust manifold to head stud	16	
46	C6735	Cam cover gasket	2	
47	C2318	Exhaust manifold gasket	2	
48	C495	Exhaust down pipe gasket	2	Original type
49	C2227	Breather baffle gaskets	2	
50	C7619/1	Inlet manifold gasket	1	
51	C2288	Set of camshaft bearings	1	Car set of 16 halves
52	C2326	Stud for cam covers and bearing caps	16	Stepped stud
52a	C2373	Ring dowel for C2326 studs	16	
53	C290	Heater take-off adapter for inlet manifold	1	If heater is fitted
54	C2178	Guide pin for camshaft sprockets	2	
55	C2261	Circlip for C2178 guide pins	2	
56	C2193	Circlip for camshaft sprockets	2	
57	C17154	Intermediate sprocket assembly	1	(2 sprocket assy. comprises C2307 & C2309)
58	C2335	Circlip for timing chain shaft	1	
59	C2300	Oil sprayer gasket	1	
60	C4128/1	Timing gear front bracket	1	
61	NS125/5D	Set screws holding oil spray bracket	2	
62	C4728	Bracket for engine breather pipe	1	Holds pipe to chassis
63	C15509	Guide for inlet valve	6	
64	C15506	Guide for exhaust valve	6	
65	C7262	Guide for tappets	12	
66	C2329A	Cam sprocket adjuster plate assembly	2	Replaces C2329, C2191 & C2178
67	C11490	Vacuum take-off adapter for screen washers	1	
68	C2381	Gasket for starting pipe flange	1	
69	C4204	Anti-blowback valve in starting pipe	1	
70	C7470	Spring for C4204 valve	1	
71	C2388	Starting (choke) pipe	1	
72	C2387	Banjo bolt for C2388 starting pipe	1	
73	C2296/5	Copper washer for C2387 bolt	2	
74	C2312	Rubber "O" rings for end of cam covers	2	
75	C2157	Threaded core plug	4	3 in head - 1 in block
76	C2296/2	Copper sealing washer for C2157 plugs	4	
77	C6727/1	Stud for cam covers, breather etc.	As req.	For various engine uses
78	C430	Collets for valve stems	24	
79	C2189	Stud under front of head	4	
80	NN131L	Nut for C2189 studs	4	
81	FG105X	Spring washer for C2189 studs	4	
82	C13614	Lower timing chain damper	1	
83	C13616	Upper timing chain damper - <b>L/hand</b>	1	These replace 120 dampers
84	C13617	Upper timing chain damper - <b>R/hand</b>	1	but must be used with spacers
85	C13660	Spacers for C13616 and C13617	1	C13660 (see below)
86	C6728	Timing chain tensioner guide bracket	1	
87	C2379	Starting pipe flange	1	



FIXED-HEAD  
AND  
DROP-HEAD

S.U. Tool kit for  
adjusting Carburettors

CARBURETTOR KITS

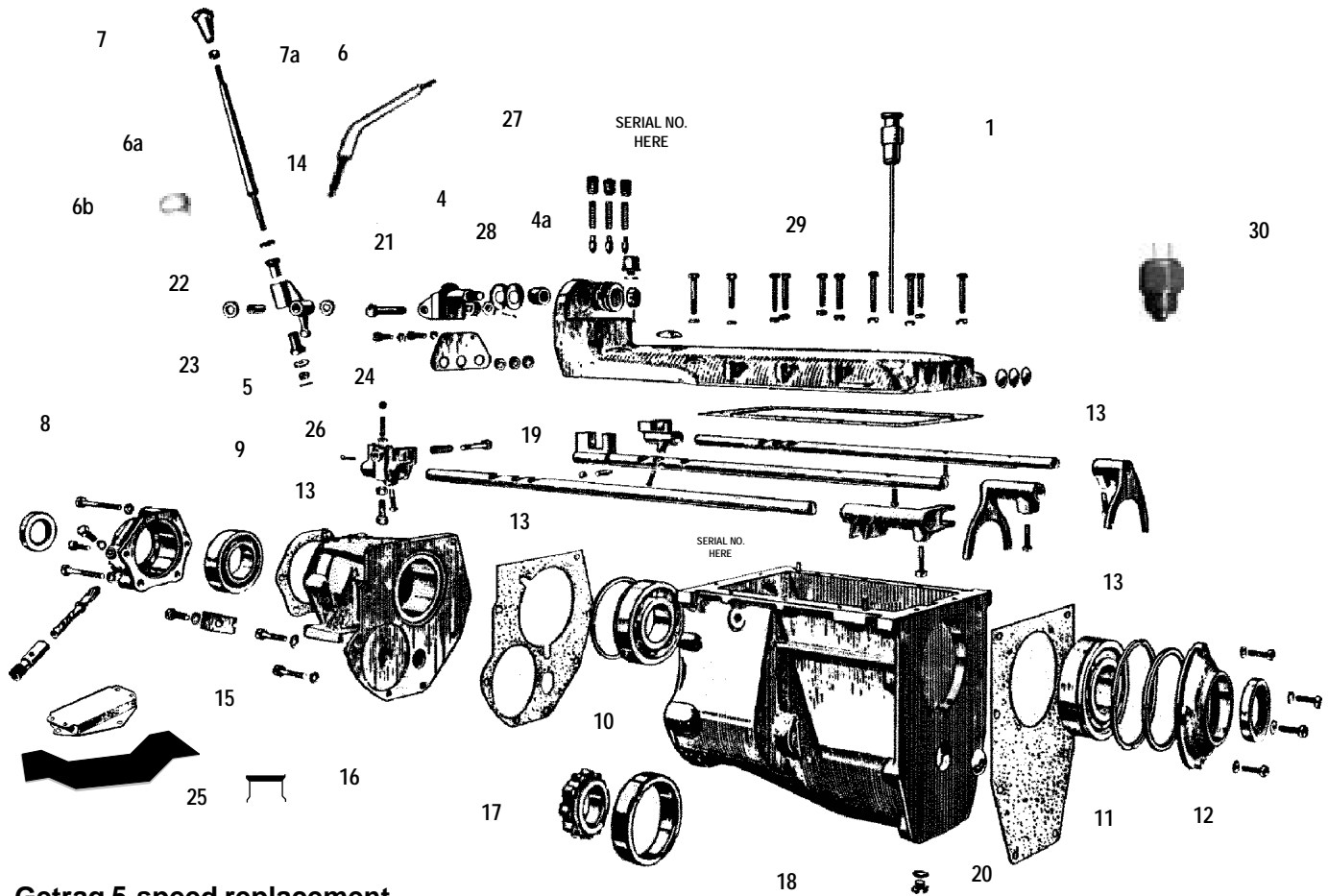
FIG. 3

OPEN TWO-SEATER

Issue 06 Rev. 02/04

	<b>PART #</b>	<b>DESCRIPTION</b>	<b>QTY REQ</b>	<b>REMARKS</b>
1	C5185/6	Carburettor complete - <b>rebuilt</b>	1 Pair	To order
2	C12280	Overflow pipe for front carburettor	1	
	"	Overflow pipe for rear carburettor	1	
3	C11488	Banjo bolt for float chamber	2	
3a	C11489	Fibre washer on 698 banjo bolt	4	
4	1123	Carburettor float	2	
5	C3629	Flexible pipe assembly	1	From fuel line to carb feed pipe
6	1635	Lever on connecting shaft	1	
7	C5856	Connecting shaft between flexible coupling and bracket on scuttle	1	
8	4393/3	Shaft coupling front and rear carburettors	1	
9	4334	Adaptor on shaft	2	
10	C2388	Starting pipe	1	
10a	C2387	Banjo bolt for cold start pipe	1	
10b	C2296/5	Sealing washer for C2387 pipe	2	
11	3160	Carburettor jet nut	2	
12	4758	Arm connecting thermostat body to carburettor	1	
12a	4752	Banjo bolt - arm to thermostat body		
13	6876	Solenoid for thermostat unit	1	Includes cap
13a	4795	Solenoid plastic cap only	1	
14	C3597	Flexible coupling for rear carburettor	1	
15	C4496	Pancake air cleaner on front carb (RHD)	1	RHD roadster
	C4732	Pancake air cleaner on rear carb (RHD)	1	RHD roadster
	C4496	Pancake air cleaners - (LHD)	2	LHD roadster
16	CSK24	Carburettor overhaul kit	2	
16b	CRK240	Carburettor rebuild kit	2	As CSK24 plus spindles & butterflies
16c	AUE901	Carburettor gasket set only	2	
17	C5799	Air intake branch assembly	1	FHC/DHC
18	C5709	Air intake pipe between elbow & branch	1	FHC/DHC
19	C828	Jubilee clip - securing intake pipe to elbow and branch	2	FHC/DHC
20	C5794	Elbow assembly at bottom of wing valance for attachment of air cleaner	1	FHC/DHC
21	C826	Jubilee clip - securing air cleaner to elbow	1	FHC/DHC
22	C5821	Air cleaner	1	FHC/DHC
23	C824	Jubilee Clip - securing hoses to branch and carburettor adaptor	4	FHC/DHC
24	C5715	Adaptor for carburettor flanges	2	FHC/DHC
25	C4475	Gasket between adaptors & carburettor flanges	2	Also between pancakes & carbs on OTS
26	C5714	Intake hose (short) between branch and front carb (for RHD & LHD cars)	1	FHC/DHC
27	C5713	Intake hose (long) between branch and rear carb	1	FHC/DHC
28	C3810	Carburettor feed pipe	1	Feeds front & rear carbs.
29	C2581	Distributor vacuum pipe	1	
30	C7461	Carburettor insulating block	2	Must always be fitted (even if not fitted originally!)
31	C2368	Carburettor to manifold gaskets	4	
32	RF	Carburettor needle C6739	2	Roadster
33	WO2	Carburettor needle C7858	2	DHC/FHC
34	479	Filter/spring in float chamber lid	2	
35	7120	Washer on float chamber lid cap nut	2	
35a	5832	Cap nut for float chamber	2	
35b	1928	Serrated washer for float chamber overflow	2	
36	WZX1102	Float chamber needle/seat kit	2	Inc. float chamber gasket
36a	386390	High spec. float needle valve/seat	2	As option
37	1635	Lever on throttle spindles	2	
38	175	Screws for dashpots	6	
39	1731	Throttle spindle for front carburettor	1	
	4765	Throttle spindle for rear carburettor	1	
40	1730	Disc on throttle spindles	2	
41	4641	Banjo bolt securing front float chamber and thermostat arm to carb body	1	
42	7106	Vacuum pipe union on carburettor	1	
43	C14364	Throttle spring bracket	2	
44	C14366	Throttle return spring	2	
45	AUE670	S.U. Toolkit for adjusting carburettors	1	
46	3127	Spring for auxiliary starting needle	1	
47	7094	Carburettor piston return spring	2	
48	5658	Ball end for carburettor linkage	1	

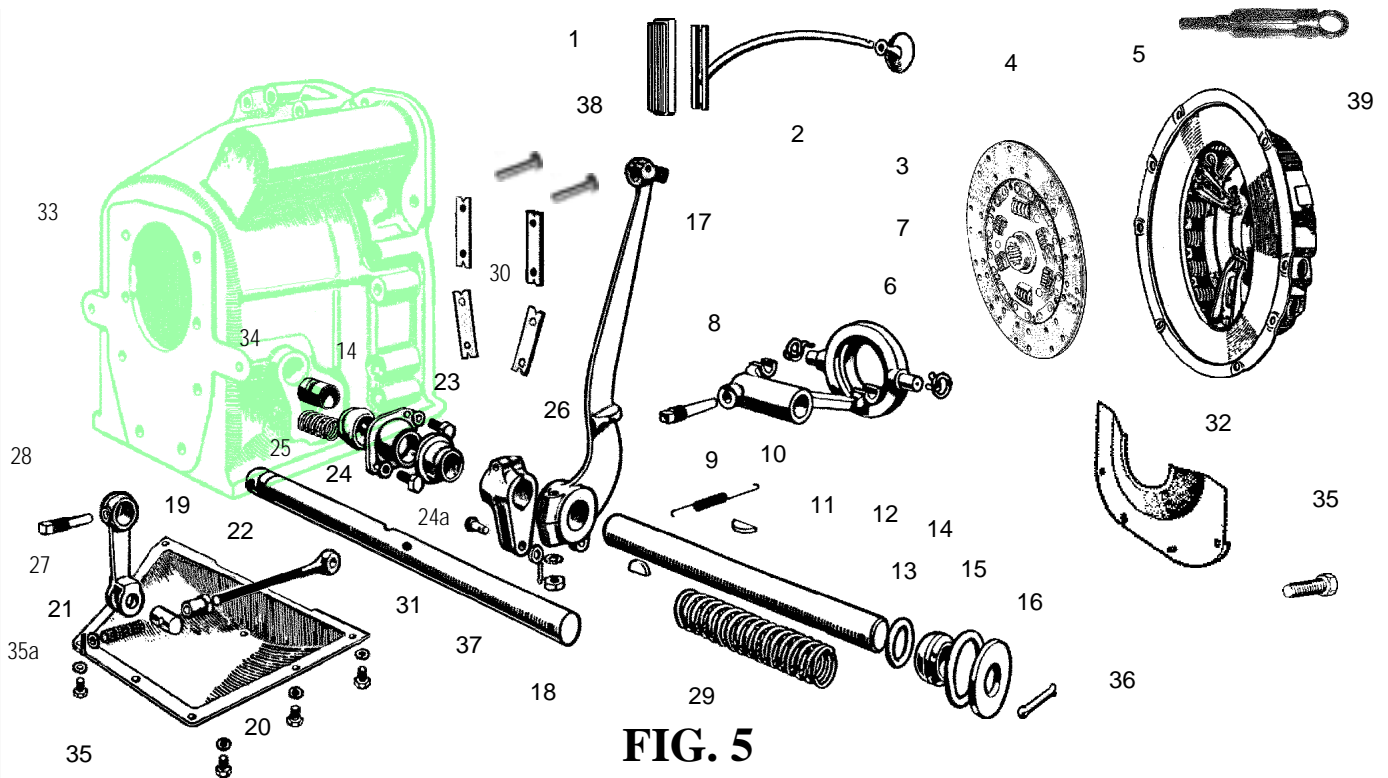




**Getrag 5-speed replacement gearbox**

**FIG. 4**

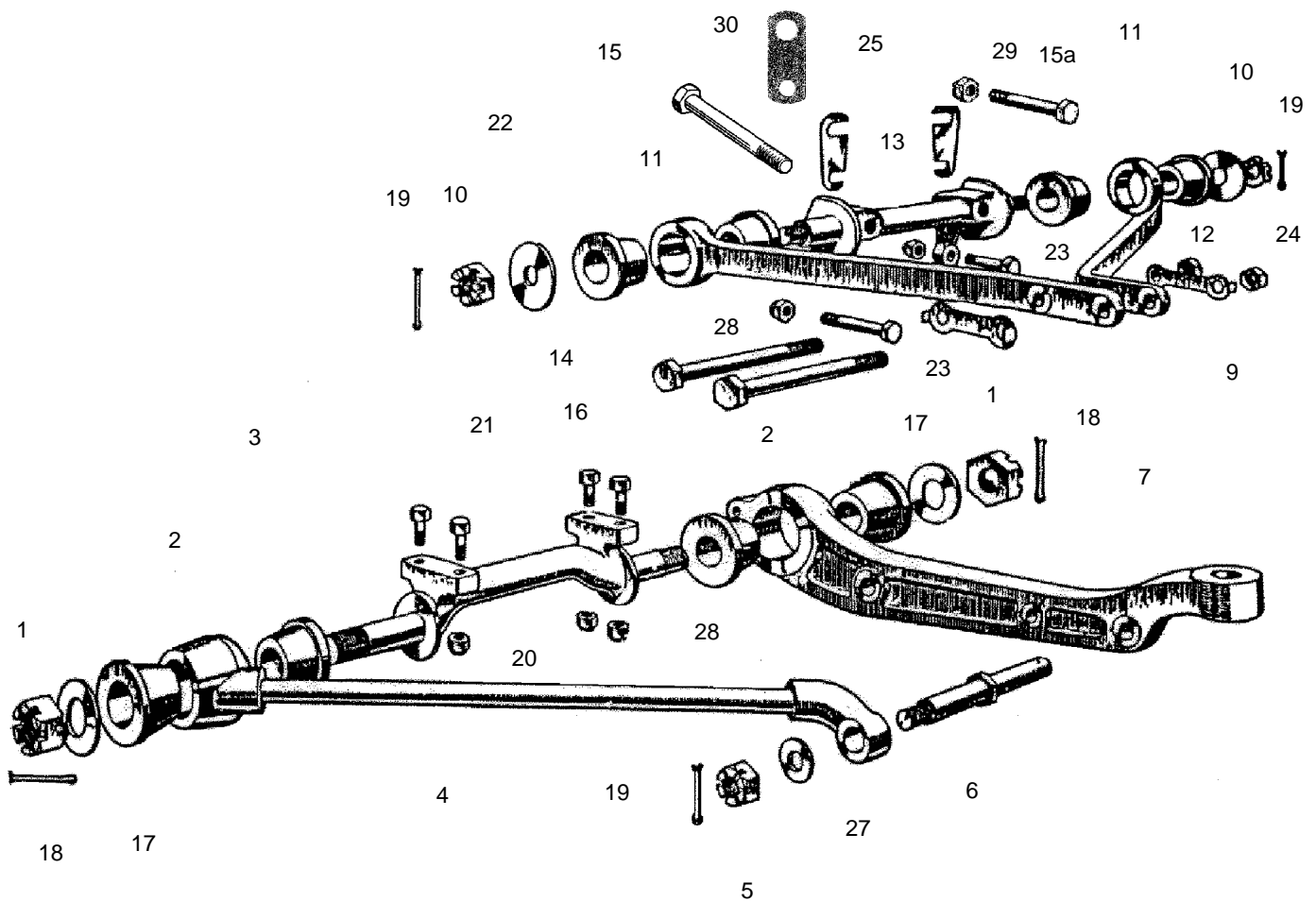
	<b>PART #</b>	<b>DESCRIPTION</b>	<b>QTY REQ</b>	<b>REMARKS</b>
1	C2675	Dipstick for gearbox oil level	1	Chromed
3	Various	Complete rebuilt gearboxes	1	When available
4	C1913	Pivot jaw - for selector lever	1	Secondhand only
4a	C1907	Bush for pivot jaw	1	
5	C1918	Selector lever	1	Secondhand only
6	C2462	Gear lever (cranked)	1	
6a	C4054	Gear lever (straight)	1	Cars with radio fitted
6b	BD7738/1	Clip holding lever to gauntlet	1	
7	C2291	Gear knob	1	
7a	C1928	Lock-nut on gear lever	1	Chromed
8	C859	Rear oil seal	1	All gearboxes
9	C924	Bearing for rear extension	1	<b>SH &amp; JH boxes only</b>
10	C1845	Bearing for mainshaft	1	<b>JL gearboxes</b>
11	C1838	Bearing for constant pinion shaft	1	<b>All gearboxes</b>
12	C6738	Oil seal - front of gearbox	1	Also replaces C912
13	GMB2	Gasket set for gearbox	1	
14	C1915	Gear lever bush	2	
15	C478	Gearbox mounting - large flat type	1	Early cars
16	C4304	Gearbox mounting - "bobbin" type	2	Late cars
17	Getrag 1	5-speed replacement gearbox	1	Direct replacement, all parts supplied except prop-shaft, see GP1 (ENV axle) or GP3 (Salisbury axle) <b>SH &amp; JH gearboxes</b>
18	C883	Bearing for mainshaft	1	
19	C929	Felt washer for striking rods	3	
20	C920	Fibre washer in gearbox case	1	
21	C1912	Pin holding C1918 into C1913	1	
22	C1908	Thrust washer for selector	2	
23	C1906	Bush in selector lever	1	
24	FN405L	Nut on end of gear lever	1	
25	C5805	Gearbox mounting plate	1	Late cars with C4303 mounts
-	C1862	Thrust washer for countershaft	-	State o/size & quantity required
-	C918	Needle rollers for countershaft	58	
-	C1850	Needle rollers in 2nd & 3rd gear on mainshaft	82	
-	C1843	Bearing inside constant pinion shaft	1	
26	L103/8U	Split pin for gear lever	1	
27	C1894	Fibre washer on pivot jaw	2	
28	C1929	Double spring washer on pivot jaw	1	
29	C1905	Spring washer for pivot jaw	1	
30	C1083	Switch for reverse light	1	



**FIG. 5**

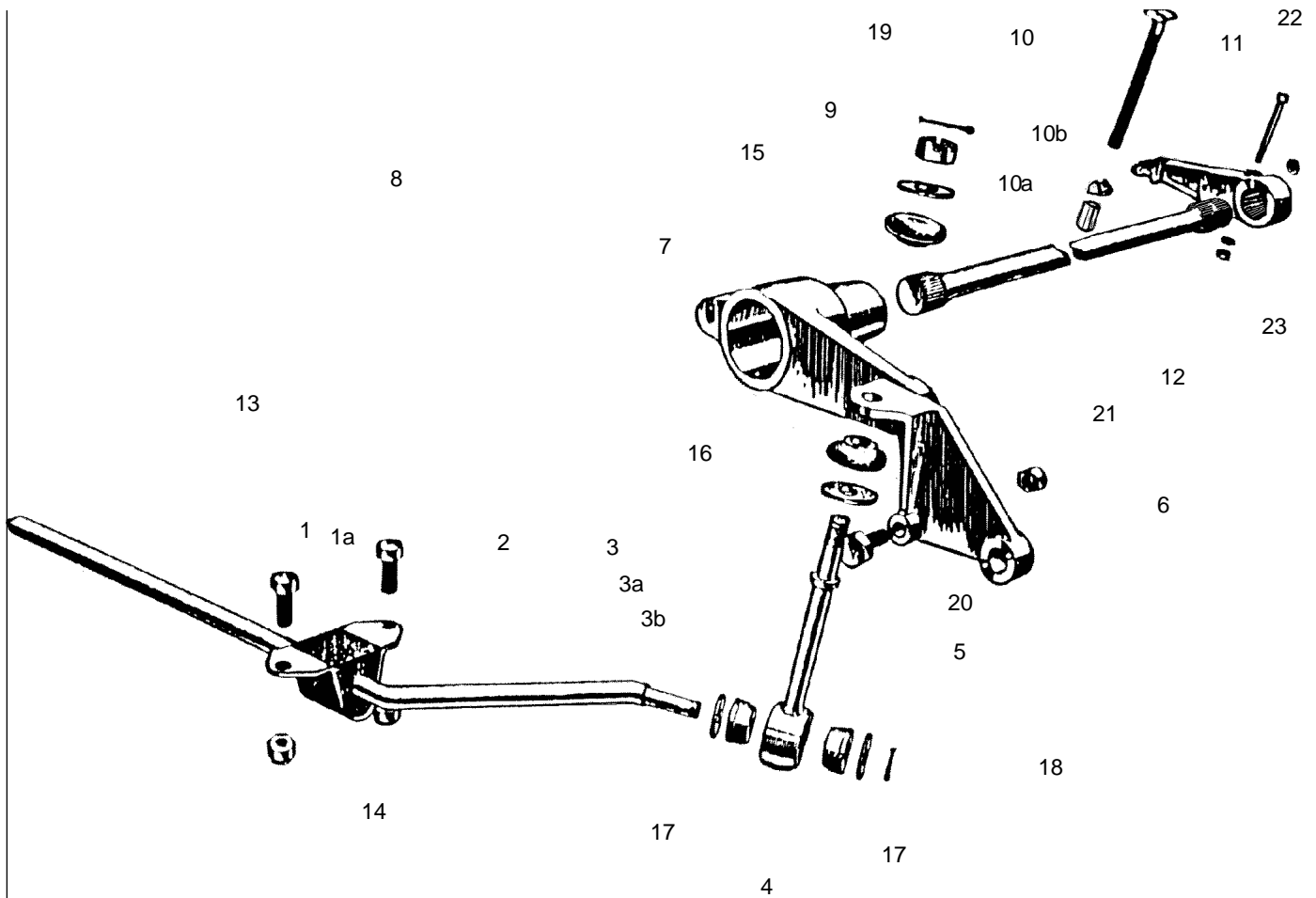
Issue 06 Rev. 02/04

	PART #	DESCRIPTION	QTY REQ	REMARKS
1	792	Rubber pad on pedal stem	1	
2	C6913	Pedal stem/plate	1	
3	C4036	Draught excluder on pedal stem	1	
4	HB1378E	Clutch driven plate - exchange	1	Old unit must be reconditionable!
5	HA2521E	Clutch cover - exchange	1	Old unit must be reconditionable!
6	HD3306	Release bearing	1	
7	C15821N	3-in-1 Clutch kit - outright	1	Comprised of cover, plate & bearing
8	4163	Retainer for release bearing	2	
9	C9780	Clutch operating fork	1	Holds release bearing
10	C568	Taper pin locating fork on operating shaft	1	
11	C3318	Return spring for clutch pedal	1	
12	C757	Woodruff key locating pedal on shaft	2	
13	C4034	Shaft supporting clutch pedal	1	<b>RHD cars</b>
14	C4035	Shaft supporting clutch pedal	1	<b>LHD cars</b>
15	C3257	Sealing ring (small) adjacent to outer spring	1	
16	C3258	Sealing ring (large) adjacent to spherical bearing	1	Same bearing both ends of shaft
17	C2420	Washer at end of shaft	1	
18	C3822	Clutch pedal arm	1	<b>RHD cars</b>
19	C2417	Clutch pedal arm	1	<b>LHD cars</b>
20	C2429	Clutch operating shaft in clutch housing	1	
21	C3266	Barrel nut on adjusting rod	1	
22	C5180	Trunnion in fork of lever	1	
23	C4165	Spring on adjusting rod	1	
24	C2423	Adjusting rod between lever on pedal shaft & lever on clutch shaft	1	
25	C3323	Spherical bearing gaiter on shaft	1	
26	C3267	Bearing housing on clutch housing	1	
27	CS131/5D	Set screw holding C3267 housing	2	
28	C3321	Spring (inner) adjacent to spherical bearing	1	Holds C3255 to bellhousing
29	C3260	Lever on clutch pedal shaft	1	
30	C2483	Lever on clutch shaft	1	
31	C568	Taper pin locating lever on shaft	1	Same as No. 9
32	C3256	Spring on shaft	1	
33	C5073/587	Lock tab set	1	For bellhousing to g/box bolts
34	C2415	Cover plate for clutch housing	1	Early engines to W4400
35	C5072	Cover plate for clutch housing	1	Late engines from W4400 on
36		Various clutch housings available	P.O.A.	(Need chassis number)
37	C584	Bush in clutch housing for shaft	2	Each end of C2429 shaft
38	CS125/5D	Set screw for cover plates	-	Early plate has 6/late plate has 4
39	FG104X	Spring washer - 1/4" I.D.	As req.	
	L104/12U	Split pin on end of pedal shaft	1	
	J105/12S	Clevis pin in C2483 lever	1	For end of adjusting rod
	FS107/13D	Bell housing to gearbox bolt	8	
	CT1	Tool for aligning clutch	1	



**FIG. 6**

	<b>PART #</b>	<b>DESCRIPTION</b>	<b>QTY REQ</b>	<b>REMARKS</b>
1	C3010/2	Slotted nut for lower wishbones	4	
2	C3021	Bush for lower wishbones	8	
3	C3019	Shaft supporting lower wishbones	2	Second hand only
4	C3013	Wishbone lever - lower front	2	Second hand only
5	C3010/1	Nut for lower wishbone levers	2	
6	C3018	Pin for lower wishbone & shock absorber	2	
7	C4805	Wishbone lever - lower rear L/hand	1	Second hand only
	C4804	Wishbone lever - lower rear R/hand	1	Second hand only
9	C3007	Locking plate for balljoint bolts	4	
10	C3010/1	Nut for upper wishbones	4	
11	C3003	Metalastic bush	8	
12	C4733	Wishbone lever - upper rear	2	Second hand only
13	C3002	Shaft supporting upper wishbone levers	2	Second hand only
14	C4739	Wishbone lever - upper front	2	Second hand only
15	NB150/48D	Bolt for upper wishbone shaft to chassis - top holes	4	4 on early cars/2 on later cars
15a	C8060	Bolt for upper wishbone shaft to chassis - top holes	2	On later cars only
16	NB137/27D	Bolt for upper ball joint	4	
17	C3114	Washer for lower wishbone	4	
18	L105/12U	Split-pin for lower wishbone	4	
19	L104/10U	Split-pin for wishbones	6	
20	NB137/10D	Bolt - lower wishbone to chassis	4	
21	C3653	Bolt- lower wishbone to chassis	4	<b>Special shouldered bolt</b>
22	C3193	Washer for top wishbone	4	
23	NB137/14D	Upper wishbone shaft bolt - lower holes	4	For lower bolt holes
24	NN137L	Nut for ball joint bolts	4	
25	C3166/1	Camber adjusting shim	As req.	0.064 thick
	C3166/2	Camber adjusting shim	As req.	0.048 thick
	C3166/3	Camber adjusting shim	As req.	0.036 thick
27	C794	Washer for lower wishbones	2	
28	C8150/7	Self-locking nut	12	For upper & lower w/bone support
29	C8150/9	Self-locking nut	4	For upper w/bone support
30	C9575	Packing piece for top wishbone to chassis	4	For wheel camber



**FIG. 7**

	<b>PART #</b>	<b>DESCRIPTION</b>	<b>QTY REQ</b>	<b>REMARKS</b>
	1	C4349 A.R.B. to chassis rubber	2	
	1a	C3056 A.R.B. to chassis rubber - <b>Early cars</b>	2	Cars with 5/8" dia. A.R.B.
	2	C3054 A.R.B. Clamp	2	Clamps C4349
	3	C7220 Anti-Roll Bar - (A.R.B.)	1	<b>New original</b>
	3a	C3447 Early OTS anti-roll bar (thin type)	1	To chassis No's 661004 & 672669
	3b	C7220/1 Uprated 7/8" bar inc. 2 'D' bushes	1	Heavy duty
	4	C3050 Bush on A.R.B. link - lower	4	
	5	C3049 A.R.B. Link	2	
	6	C3058 Anchor Bracket - L/hand	1	Second hand only
		C3057 Anchor Bracket - R/hand	1	Second hand only
	7	C3047 Torsion Bar Front Flange	2	Second hand only
	8	C3053 Bush on A.R.B. link - upper	4	
	9	NN743L Castle Nut on A.R.B. link	2	
	10	C3096 Adjusting Bolt for torsion bar	2	Bolt Only
	10a	C3097 Adjusting Nut for C3096	2	Nut Only
	10b	C3098 Trunnion for C3096	2	Trunnion Only
	11	C3462 Torsion bar lever L/hand	1	Second hand only
		C3461 Torsion bar lever R/hand	1	Second hand only
	12	C3168 <b>Early</b> torsion bar - L/hand	1	Mostly steel wheel cars
		C3167 <b>Early</b> torsion bar - R/hand	1	Mostly steel wheel cars
		C5720 <b>Later</b> torsion bar - L/hand	1	All cars with wire wheels
		C5719 <b>Later</b> torsion bar - R/hand	1	and later steel wheel cars
		C5719/20SS Stainless steel torsion bars	Pair	<b>New</b> - high quality
	13	NB137/6D Bolt for C3054 A.R.B. clamp	4	
	14	NN137L Nut for NB137/6D bolt	4	
	15	C3052 A.R.B. link top washer	2	
	16	C793 A.R.B. link washer	2	
	17	C3052 A.R.B. link lower washer	4	
	18	L105/10U Split-pin - end of A.R.B.	2	
		L103/8U Split-pin on top of A.R.B. link	2	
	20	NB137/16D Bolt for anchor bracket	2	
	21	NN137L Nut for NB137/16D bolt	2	
	22	NB137/20D Bolt for torsion bar levers	2	
	23	NN137L Nut for NB137/20D bolt	2	

WIRE WHEEL  
CARS

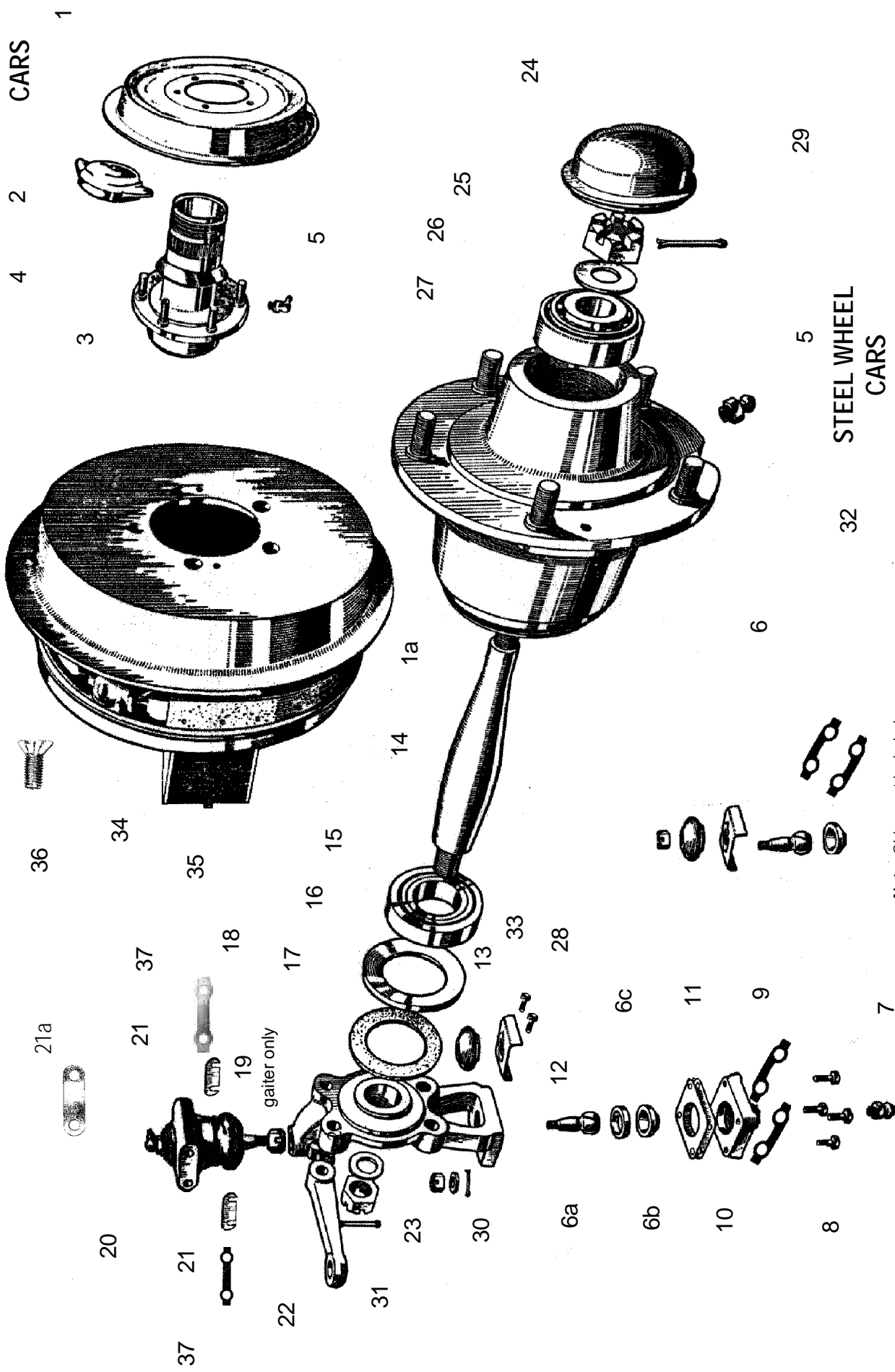


FIG. 8

	PART #	DESCRIPTION	QTY REQ	REMARKS
1	C6024	Brake drum (dished) for <b>wire wheel</b> cars	2	
1a	C7228	Brake drum for <b>steel wheel</b> cars	2	
2	C1102	Spinner for R/hand side	1	
	C1103	Spinner for L/hand side	1	
3	C6277	Stud/nut/washer for hubs	10	Wire wheel cars only
4	C6020	Splined front hub R/hand	1	Wire wheel cars only
	C6021	Splined front hub L/hand	1	Wire wheel cars only
5	C3076/1	Grease nipple in front hub	2	
6	C8324K	Lower ball joint kit	2	Contains parts as pictured
6a	C8324	Ball pin - <b>only</b>	2	
6b	C12557	Cup for lower ball pin - NYLON type	2	(Replaces brass cup & spigot)
6c	C3024	Spigot over ball pins - <b>NOT AVAILABLE</b>	2	This is not required with modern (C12557) ball pin cup - only if <b>original</b> shallow type cup is used.
7	C3362	Grease nipple in ball socket cap	2	
8	NS137/9H	Set-screw securing cap to housing	8	
9	C3028	Plate locking set screws	4	
10	C3023	Cap - containing ball socket	2	
11	C3026/1	Shim between housing & ball socket cap	As req.	.005" thick
	C3026/1S	Thicker shim for above (as option)	As req,	.010" thick
12	C8326	Gaiter retaining plate for ball pin	2	
13	C8325	Gaiter for ball pin	2	
14	C3008	Stub axle shaft	2	<b>New</b> - not handed
15	C3011	Inner hub bearing	2	
16	C614	Cover plate over grease retainer	2	
17	C615	Felt grease retainer on stub axle shafts	2	
18	C3606/ C3009	Stub axle carrier	2	No difference LH or RH
19	C8325	Rubber seal between ball joint housing and stub axle carrier	2	
20	C15890	Upper ball joint	2	Complete assembly
21	C3169	Shim - wheel castor adjustment between housing & rear upper wishbone levers	As req.	
21a	C4740	Castor distance piece (if required)	As req.	1/4" thick
22	C3046/1	Steering arm - L/hand	1	Second hand only
	C3045/1	Steering arm - R/hand	1	Second hand only
23	C3010/2	Nut - securing stub axle shaft to carrier	2	Slotted
24	C3039	Grease cap for front hub	2	
25	C3010/1	Nut - securing hubs & bearings to stub axle shafts	2	Slotted
26	C3400	'D' washer under nut on front hub	2	
27	C3012	Outer hub bearing	2	
28	C3818	Screws for gaiter retaining plate	8	
29	L104/10U	Split-pin for hub nut	2	
30	C3114	Washer on stub axle	2	
31	L105/12U	Split pin for stub axle to carrier	2	
32	C3037	Front hub for <b>STEEL WHEELS</b>	2	Second hand only
33	C8327	Wire clip for ball pin gaiters	4	
34	C3603	Air scoop assembly - L/hand	1	Early cars - inc. gauze
	C3525	Air scoop assembly - R/hand	1	Early cars - inc. gauze
35	C3527	Gauze stone guard only	2	Early cars
36	C3078	Screw for brake drums	8	Cars with 'disc' wheels only
37	C3007	Locking plate for upper ball joints	4	

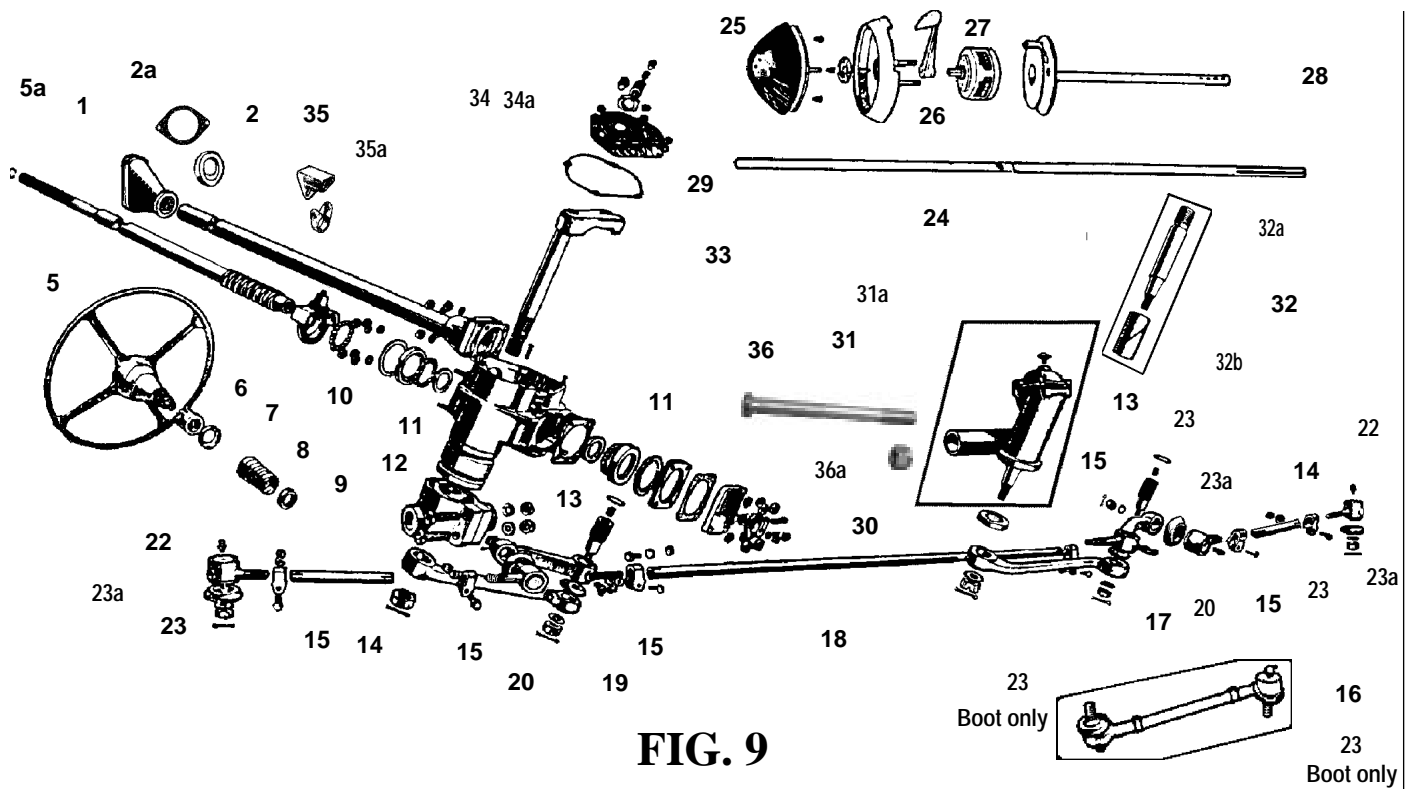
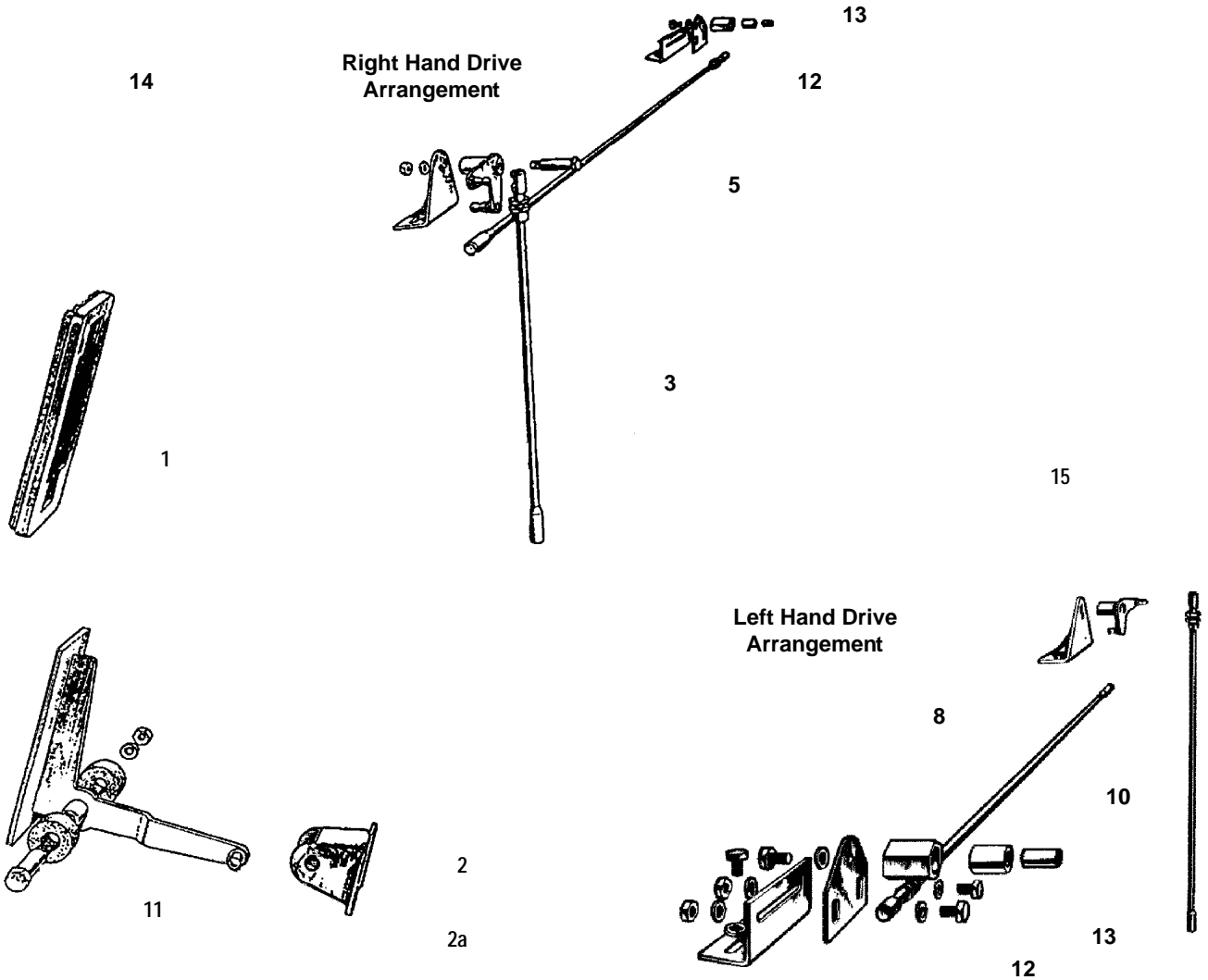


FIG. 9

PART #	DESCRIPTION	QTY REQ	REMARKS
1	C3766 Steering column grommet - large type	1	<b>Drophead &amp; fixedhead</b>
2	C3766/1 Steering column grommet - ring type	1	<b>Roadster</b>
2a	BD3145 Aluminium plate for BD3766/1 grommet	1	<b>Roadster</b>
5	C3721 Steering wheel - repro	1	As original (adj. nut not included)
5a	C1036 Circlip holding steering wheel	1	
6	C3721/A Steering wheel adjusting nut	1	
7	C3386 Washer at top of dust cover spring	1	
8	C1024 Column dust cover spring	1	Stainless steel
9	C3366 Washer at bottom of dust cover spring	1	
10	137 Steel balls between main nut and worm	14	
11	136 Steel balls between ball race and washer	28	
12	4101 Oil seal for rocker shaft (steering boss oil seal)	1	
13	C3494/1 Pin and bush assembly only	2	Presses into C3493 & C3494
14	C3071 Steering connecting tube	2	<b>Early cars only</b>
15	C3165 Clamp for ends of C3071 tube	-	6 Early cars - 2 Late cars
16	OTR.120LR Outer fixed tierods	Pair	<b>1951 onwards</b>
17	C3493 Inner track rod end - <b>Left Hand</b>	1	
18	C3451 Track rod connecting tube	1	New
19	C3494 Inner track rod end - <b>Right Hand</b>	1	
20	C3062 Ball joint (track rod end)	2	Right hand thread
22	C3063 Ball joint (track rod end)	2	Left hand thread
Note: Early rods can be reversed on the car, please check if either <b>Right Hand Thread</b> (C3062) or <b>Left Hand Thread</b> (C3063) is required			
23	C3020 Rubber 'boot' on ball joints	4	
23a	C8327 Clip for ball joint 'boot'	4	
24	323418 Stator tube for centre of column	1	Takes horn wire
25	322167 Plastic horn push - button only	1	<b>When available</b>
26	322168 Chrome rim around horn push	1	
27	324655 Lever operating trafficator switch	1	Later cars with indicators
28	C4514 Steering column control (manette head)	1	Complete assy. with ind. switch
29	3985 Gasket for steering box top	1	
30	C3203 Idler Seal in bottom of housing	1	
31	SIRE Reconditioned idler assembly - <b>right hand drive</b>	1	<b>Exchange only</b>
31a	SILE Reconditioned idler assembly - <b>left hand drive</b>	1	<b>Exchange only</b>
32	C3201-3 Shaft/bush/seal set for steering idler	1	<b>Sold as set only</b>
32a	C3201 Idler shaft only	1	
32b	C3202 Bush for idler shaft	1	
33	3984 Gaskets for steering box	2	At bottom of box
34	C3448E Re-conditioned steering box - <b>Right hand drive</b>	1	Exchange
34a	C3449E Re-conditioned steering box - <b>Left hand drive</b>	1	Exchange
35	813 Upper steering column bracket	1	See also 813c
35a	813c Steering column clamp	1	Fits with 813
36	NB150/48D Bolt holding steering box and idler to chassis	2	
36a	NYL1/2 Nut for NB150/48D	2	

•Note: - Steering boxes are fully rebuilt by the original manufacturer and are usually the only option for worn steering boxes - most parts not available separately - **either hand boxes accepted for exchange purposes.**



**FIG. 10**

PART #	DESCRIPTION	QTY REQ	REMARKS
1	C3473 Rubber pad on accelerator pedal	1	
2	C6784 Accelerator pedal assembly – <b>RHD</b>	1	Parts 2/2a are only supplied as an assembly inc. C3479 bushes
2a	C3700 Accelerator pedal assembly – <b>LHD</b>	1	
3	C3765 Control rod assembly, linking intermediate lever with accelerator pedal	1	
5	C3765 Control rod assembly, linking carb connecting spindle with intermediate lever	1	
8	C3765 Control rod assembly, linking carb connecting spindle with intermediate lever	1	
10	C3765 Control rod assembly, linking intermediate lever with accelerator pedal	1	
11	C3479 Felt bush on accelerator pedal	2	
12	C3476 Rubber bush on accelerator linkage	1	RHD & LHD cars
13	C3477 Throttle spindle 'Oilite' bush	1	Fits into C3476
14	TK120R Accelerator linkage set – <b>RHD</b>	1	All parts as shown in box
15	TK120L Accelerator linkage set – <b>LHD</b>	1	All parts as shown in box

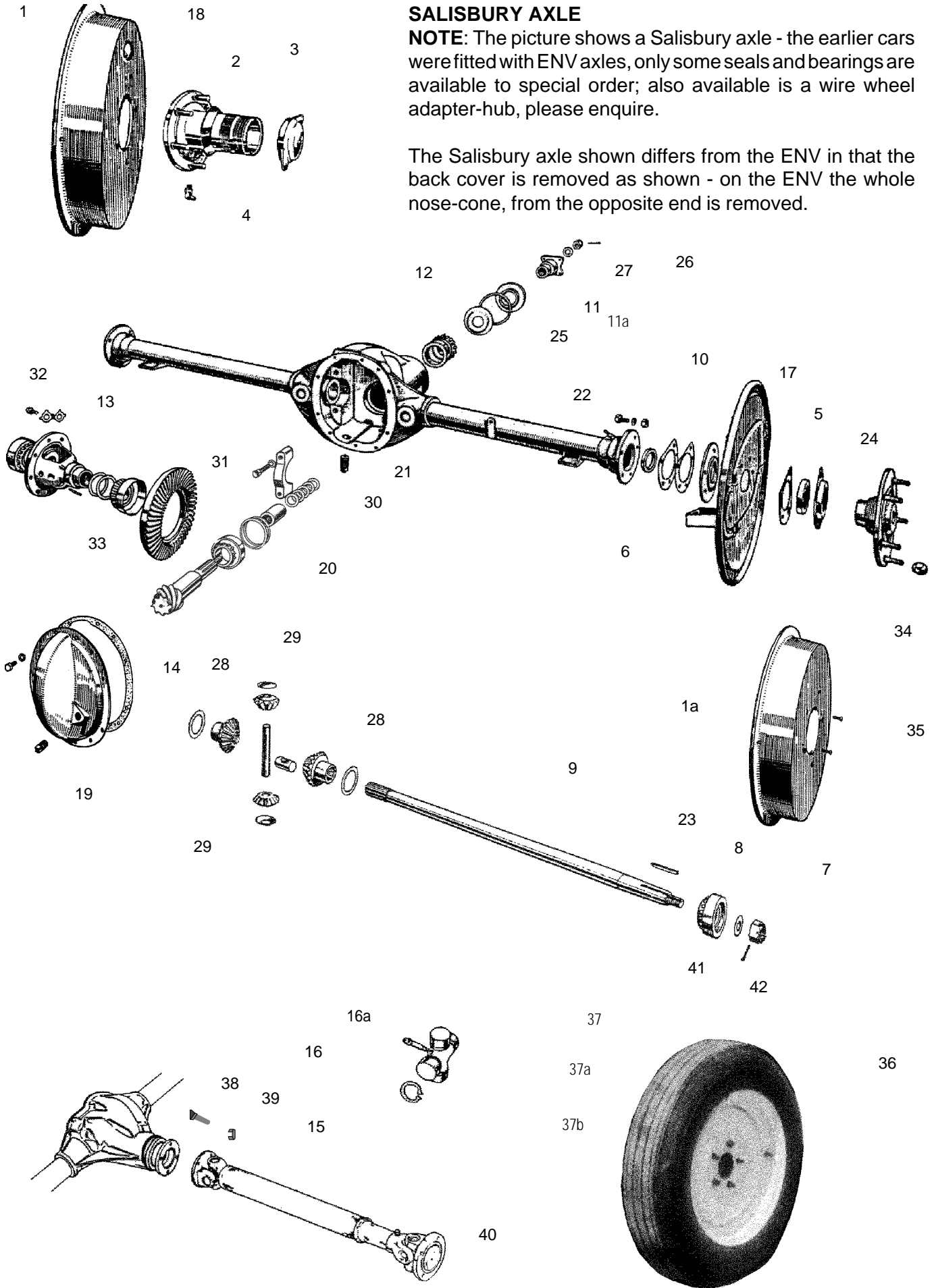
**\*PLEASE NOTE:** ITEMS NUMBER 14 AND 15- THE CONTROLRODS, RUBBER BUSH (C3476) AND SPINDLE BUSH (C3477) ARE AVAILABLE SEPARATELY - THE OTHER COMPONENTS ARE PART OF THROTTLE LINKAGE SETS **ONLY**



### SALISBURY AXLE

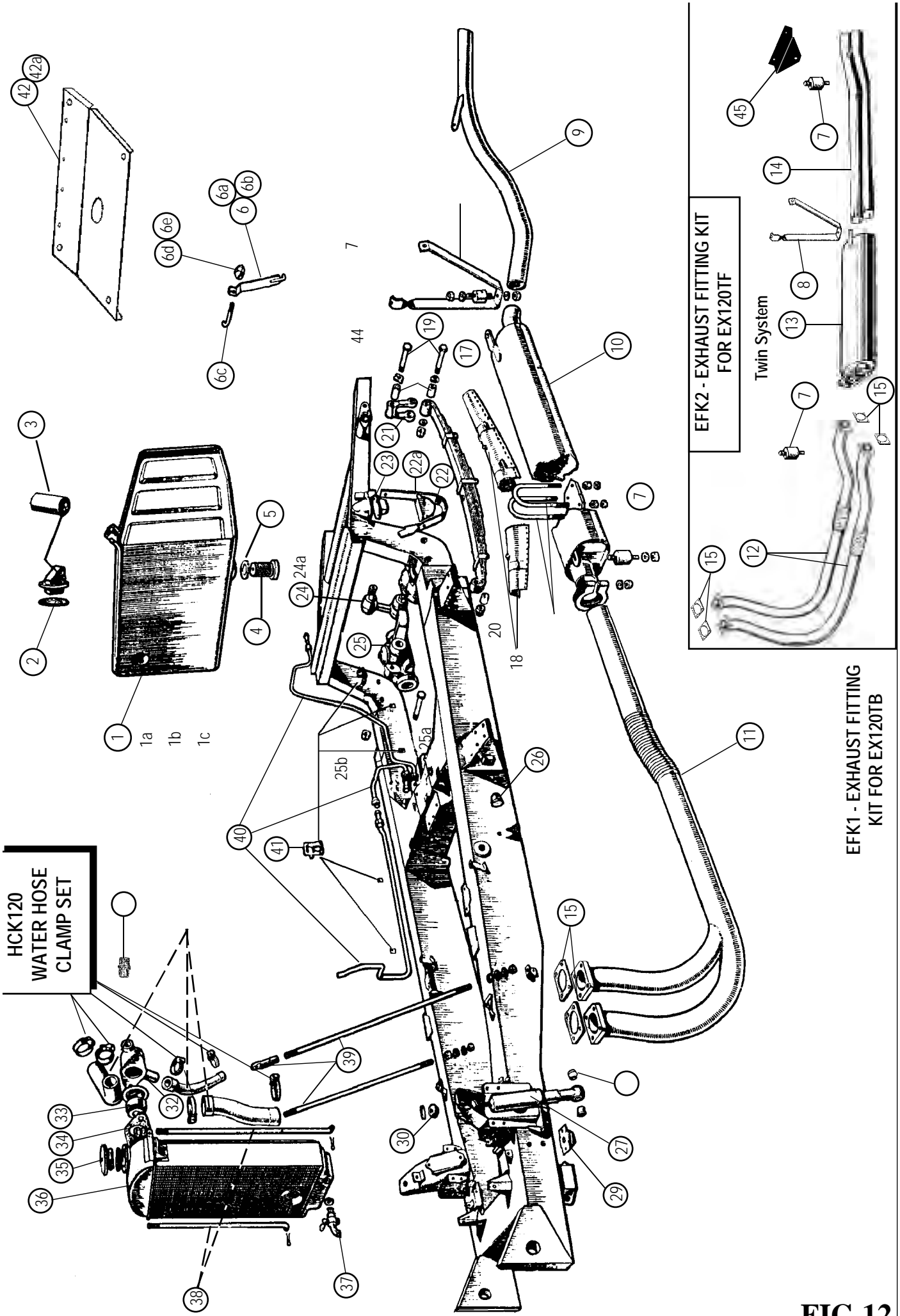
**NOTE:** The picture shows a Salisbury axle - the earlier cars were fitted with ENV axles, only some seals and bearings are available to special order; also available is a wire wheel adapter-hub, please enquire.

The Salisbury axle shown differs from the ENV in that the back cover is removed as shown - on the ENV the whole nose-cone, from the opposite end is removed.



**FIG. 11**

	<b>PART #</b>	<b>DESCRIPTION</b>	<b>QTY REQ</b>	<b>REMARKS</b>
1	C6025	Brake drum (for <b>wire wheeled</b> cars)	2	
1A	C7228	Brake drum (for <b>disc wheeled</b> cars)	2	
2	C6022	Splined hub for R/hand rear	1	
	C6023	Splined hub for L/hand rear	1	
3	C1102	Wheel spinner - R/hand	1	
	C1103	Wheel spinner - L/hand	1	
4	C3362/1	Grease nipple	2	
5	C1481	Oil seal on back plate (rear hub seal)	2	<b>Oil seal only</b>
6	3848	Oil seal for shaft in end of carrier tube	2	
7	131	Slotted nut on axle shaft	2	
8	3846	Hub bearing	2	
9	3924	Rear axle shaft - <b>superior quality</b>	2	<b>Made from EN30b steel</b>
10	2HA - 050	Shim for hub bearing	As req.	.003"
	2HA - 051	Shim for hub bearing	As req.	.005"
	2HA - 052	Shim for hub bearing	As req.	.010"
11	3840L	Oil seal on pinion - <b>leather</b>	1	
11a	3840	Oil seal on pinion - <b>rubber</b>	1	As option to leather
12	3843	Roller bearing at outer end of pinion	1	
13	3845	Roller bearing on diff case	2	
14	3931	Cover gasket	1	
15	C3445	Prop shaft <b>Early</b> cars	1	Shorter prop. - 785mm closed
	C6768	Prop shaft <b>Later</b> cars	1	Longer prop. - 930mm closed
16	46	Prop shaft universal joint	2	
16a	248	Grease nipple for propshaft joint	2	Long type
17	C1483	Paper gasket on rear hub seal plate	2	
18	C6277	Stud/nut/washer for hub	20	Wire wheel cars
19	3823	Top-up plug in diff cover	1	Second hand only
20	3844	Bearing on inner pinion	1	
21	3823	Drain plug in diff housing	1	Second hand only
22	C3362/1	Grease nipple	2	
23	C7356	Key in half shaft	2	
24	C1480	Holder for C1481 oil seal	2	Second hand only
25	3841	Pinion gasket ring	1	
26	115	Nut for pinion flange	1	
27	114	Washer for pinion flange	1	
28	3855	Thrust washer for side gears	2	
29	3854	Thrust washer for pinion mate gears	2	
30	3857	Shim to adjust pinion - outer	As req.	0.005"
	3858	Shim to adjust pinion - outer	As req.	0.010"
31	3860	Shim to adjust pinion - inner	As req.	0.003"
	3861	Shim to adjust pinion - inner	As req.	0.005"
	3862	Shim to adjust pinion - inner	As req.	0.010"
32	6316	Lock strap for crown wheel screws	5	
33	3936	Shim to adjust differential	As req.	0.005"
	3937	Shim to adjust differential	As req.	0.010"
34	C3041	Wheel nut for <b>steel wheels</b>	20	
35	C3078	Screw for brake drums	4	Steel wheel cars only
36	C6749	5.1/2" steel wheel	5	Second hand only
37	C3760	Dunlop "Roadspeed" <b>crossply</b> tyre	As req.	Cross-ply as original
37a	AVON	Avon "Turbosteel" <b>radial</b> tyre	As req.	"VR" rated
37b	MICH	Michelin "X" <b>radial</b> tyre	As req.	"SR" rated
38	C3308	Propshaft bolt	8	
39	GHF243	Locking nut for propshaft bolt	8	
40	12	Flange for propshaft yoke	2	<b>**New**</b>
41	133	Washer on end of half-shaft	2	
42	L104/12U	Split-pin in end of half-shaft	2	
<b>ENV Axle Parts</b>				
-	ENVHL	Adapter hub for wire wheels - L/hand	1	<b>For ENV axles</b>
-	ENVHR	Adapter hub for wire wheels - R/hand	1	<b>For ENV axles</b>
-	314	Pinion seal for ENV axle	1	<b>For ENV axles</b>
-	801	Hub seal for ENV axle	2	<b>For ENV axles</b>
-	799	Half shaft seal	2	<b>For ENV axles</b>
-	384	Pinion front bearing	1	<b>For ENV axles</b>
-	385	Pinion rear bearing	1	<b>For ENV axles</b>
-	807	Hub and Diff. bearings	4	<b>For ENV axles</b>



EFK1 - EXHAUST FITTING KIT FOR EX120TB

FIG 12

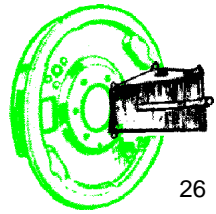
	PART #	DESCRIPTION	QTY REQ	REMARKS
1	C3618/1	Petrol tank <b>in steel</b>	1	Roadster & FHC
1a	C3618/1A	Petrol tank <b>in aluminium</b>	1	Roadster & FHC
1b	C6765A	Petrol tank <b>in aluminium</b>	1	DHC
1c	C6765	Petrol tank <b>in steel</b>	1	DHC
2	C937	Gasket for tank sender unit	1	
3	C2779	Tank sender unit	1	For fuel gauge
4	C990/1	Filter for bottom of petrol tank	1	<u>Not required for alloy tanks</u>
5	C1617	Gasket for filter	1	
6	C3860	Spare wheel retainer strap	1	Alloy bodied cars only
6a	BD4515	Spare wheel retainer strap	1	Cars with <b>steel disc wheels</b>
6b	BD7766	Spare wheel retainer strap	1	Cars with <b>wire wheels</b>
6c	BD7779	Hinge pin for retainer strap	1	All cars (except alloy body)
6d	C3864	Nut for spare wheel retainer	1	Cars with <b>steel disc wheels</b>
6e	BD7782	Nut for spare wheel retainer	1	Cars with <b>wire wheels</b>
7	C5062	Exhaust rubber mounting	3	
8	C3648	Bracket for silencer mounting	1	
9,10,11	EX120S	Complete exhaust system - <b>single</b>	1	Sold as set - Stainless steel
12,13,14	EX120TF	Complete exhaust system - <b>twin</b>	2	Sold as set - Stainless steel
15	C495	Gasket for exhaust pipes	-	2 on single system 4 on twin
16	C7752	'U' bolt for rear springs to axle	4	
16a	Nyl 1/2	Nylock nuts for C7752 'U' bolts	8	Replaces lock-nuts
17	C5721	Rear leaf spring	2	Come with fitted bushes
18	C3877/8	Spring gaiters	Set	Only sold as sets
19	NB143/28F	Spring/shackle pin (bolt)	6	
20	C11821	Spring eye/shackle bush	6	Note: springs come with bushes
21	C640	Shackle for rear of spring	2	
22	632	Rubber buffer in axle rebound strap	2	
22a	C3429	Axle rebound metal strap	2	Holds 632 rubber block
23	C3208	Rear bump-stop rubber on chassis	2	
24	SA25017	Link & pin assembly for rear shock absorbers	2	Outright (repro)
24a	SA25017E	Link & pin assembly - Exchange	2	We need <u>all</u> old parts in exchange
25	C7214E	Rear shock absorber - R/hand	1	Exchange only
	C7215E	Rear shock absorber - L/hand	1	Exchange only
25a	NB156/30D	Bolts holding rear shock absorber	4	
25b	Nyl 9/16	Nuts for shock absorber bolts	4	
26	1048/A	Rubber plug for jack socket	2	
27	C7183	Front shock absorber	2	Comes with bushes
27a	SPA1	<b>Spax</b> front shock absorber	2	Adjustable <b>on</b> car
27b	KON1	<b>Koni</b> front shock absorber	2	Adjustable <b>off</b> car
28	C3273	Conical shock absorber lower eye bush	4	For front shock absorbers
29	C3036	Front bump-stop rubber	2	
30	C3053	Rubber buffer at top of shock	4	For front shock absorbers
31	HK120	Water hose set	Set	Sold as set - inc. heater hoses
32	C3732	Thermostat housing	1	Fits on radiator
33	C3731S	Thermostat - <b>with band to close by-pass</b>	1	<b>Correct replacement</b>
34	C3344	Gasket for thermostat housing	1	
35	C3455	Radiator cap	1	
36	C3463E	Radiator with original core	1	Exchange only
36a	C3463AL	Radiator in <b>aluminium</b>	1	Outright
37	C980	Drain tap	1	Brass
38	C6793	Tie rod - holding rad down	2	
39	C3465	Tie rod - rad to chassis sides	2	
40	C3692	Petrol line set (3 piece)	Set	From tank to front hose
41	C3727	Clip securing petrol pipes to chassis	5	Original type
42	C4198	Petrol tank support tray	1	
42a	C4158/9	Rods holding C4198 tray	Set	4 rods per set
43	C9621	Adapter nipple for water temperature capillary	1	For temp. gauge
44	C3651	Lock-tabs for shackle pins	2	
45	C5707	Bracket for exhaust tail pipe	1	<b>Twin system only</b>
47	EFK1	Exhaust fitting kit	1	
48	EFK2	Exhaust fitting kit	1	<b>For twin system</b>
49	EX120TB	Special exhaust - large bore through chassis	1	
50	BD3746/A	Heatshield under floorboards	1	All models

**Note:** exhaust fitting kits contain rubber mounts, gaskets, clamps and down pipe to manifold nuts.

# EARLY CARS BRAKING SYSTEM

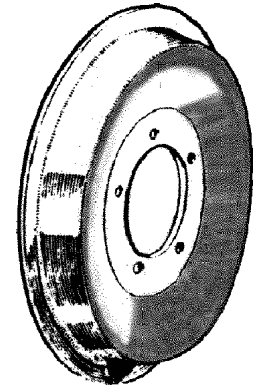
Wire Wheel cars - front

## FRONT BRAKES



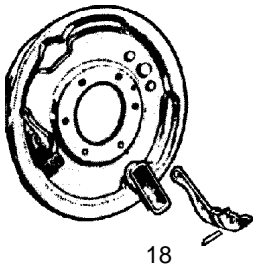
27  
Gauze  
Only

26  
26a

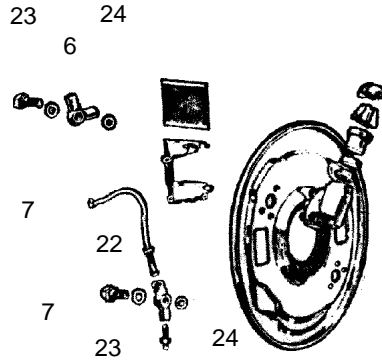


1

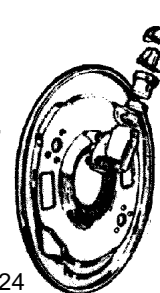
## REAR BRAKES



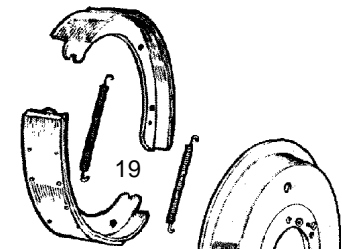
18



23 24  
6  
7 22  
7 23  
8



3

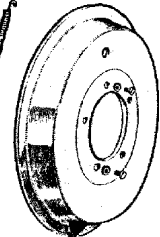


21a  
Seal Kit Only

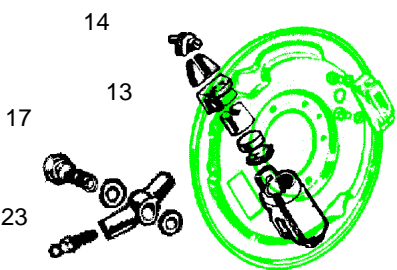
3a



19

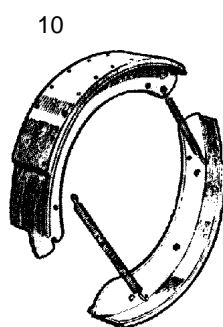


25



14  
13  
17  
23  
16  
15 24

12a  
Seal Kit Only

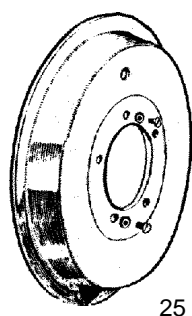
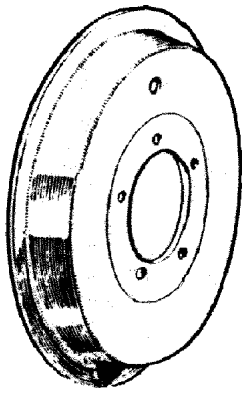


10  
9a  
9b  
10a

20

Wire Wheel cars - rear

2

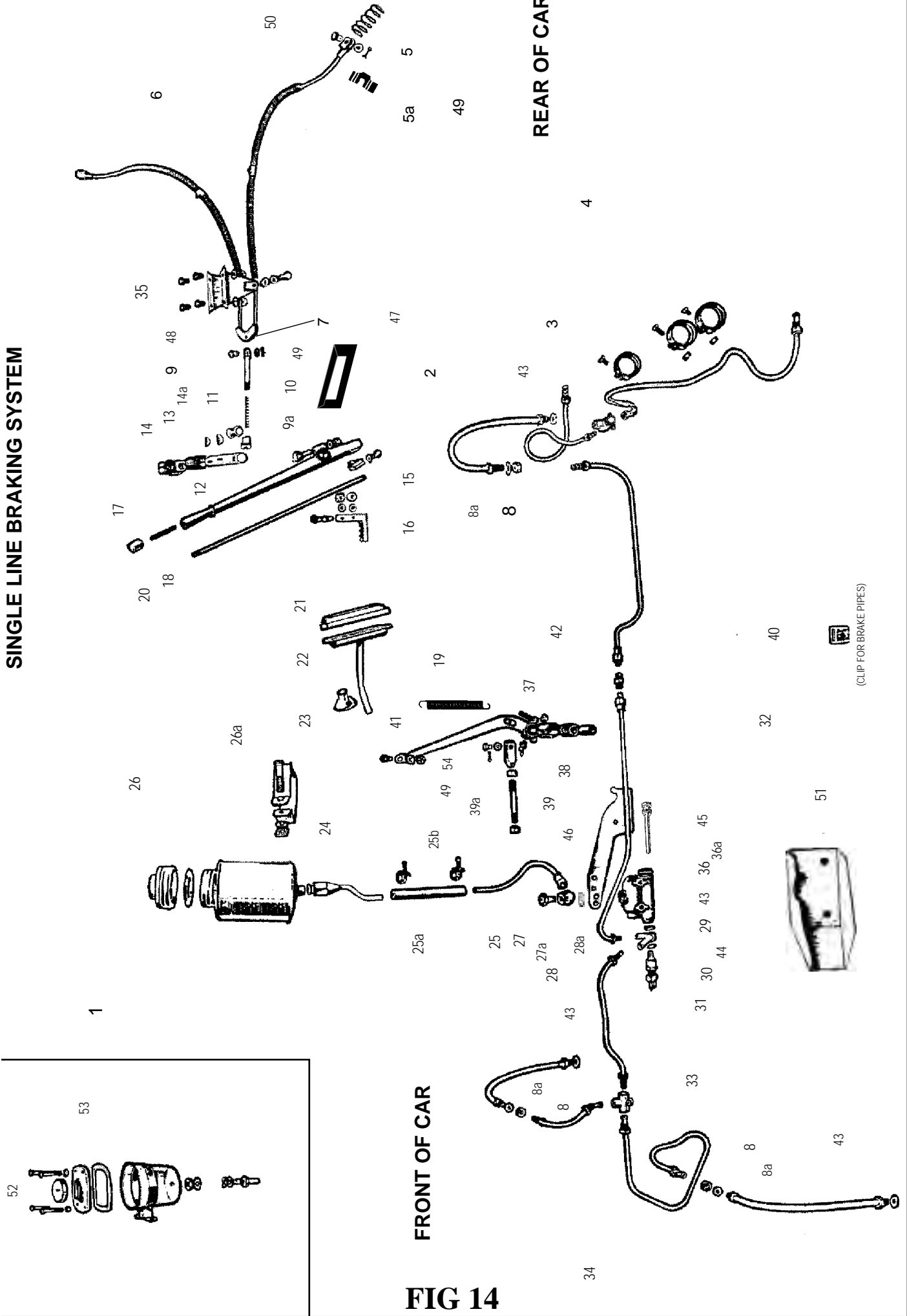


25

FIG. 13

	<b>PART #</b>	<b>DESCRIPTION</b>	<b>QTY REQ</b>	<b>REMARKS</b>
1	C6024	Dished brake drum - <b>front</b>	2	Wire wheeled cars
2	C6025	Brake drum - <b>rear</b> - (not suitable for ENV axle)	2	Wire wheeled cars
3	29477E	Re-lined brake shoe - <b>front</b> - Exchange	4	16 rivet type
3a	29476	Brake lining only - <b>front</b>	4	16 rivet type (Inc. rivets)
4	22459	Mask for micram adjuster - <b>front</b> brakes	4	
5	21787	Micram adjuster for <b>front</b> brakes	4	
6	C3904	Banjo for top right hand front cylinder	1	
	C3905	Banjo for top Left hand front cylinder	1	
7	C3906	Banjo bolt for <b>front</b> cylinders	4	
8	C3908	Bleed screw for <b>front</b> cylinders	2	
9A	21935	Tension spring for <b>rear</b> brakes	2	
9B	24701	Pull-off spring for <b>rear</b> brakes	2	
10	29476	Brake lining only - <b>rear</b>	4	16 rivet type (Inc. rivets)
12	34348	Rear wheel cylinder assembly	2	
12a	KL71518	Seal kit only for <b>rear</b> wheel cylinder	2	
13	22459	Mask for micram adjuster - <b>rear</b>	2	
14	23978	Micram adjuster for <b>rear</b> brakes	2	
15	C3907	Banjo for <b>rear</b> wheel cylinder	2	
16	C3908	Bleed screw for <b>rear</b> cylinder	2	
17	C3906	Banjo bolt for <b>rear</b> cylinders	2	
18	21740	Rubber boot for wheel cylinder lever	2	
19	24701	Pull-off spring for <b>front</b> brakes	4	
20	C7228	Brake drums for <b>disc (steel)</b> wheels	4	Front/rear the same
21	25452	Front wheel cylinder assembly	4	
21a	KL71490	Seal kit only for <b>front</b> wheel cylinder	2	
22	C3907	Banjo for lower front cylinders	2	
23	C3926	Copper sealing washer for banjo bolts	6	Larger washer
24	C3925	Copper sealing washer for banjo bolts	6	Smaller washer
25	C3078	Screw for brake drums	8	Disc wheel cars
26	C3603	Air scoop assembly for front brake - L/hand	1	Complete with gauze
	C3525	Air scoop assembly for front brake - R/hand	1	Complete with gauze
27	C3527	Stone guard only (gauze screen)	2	For air scoops

**SINGLE LINE BRAKING SYSTEM**



**FIG 14**

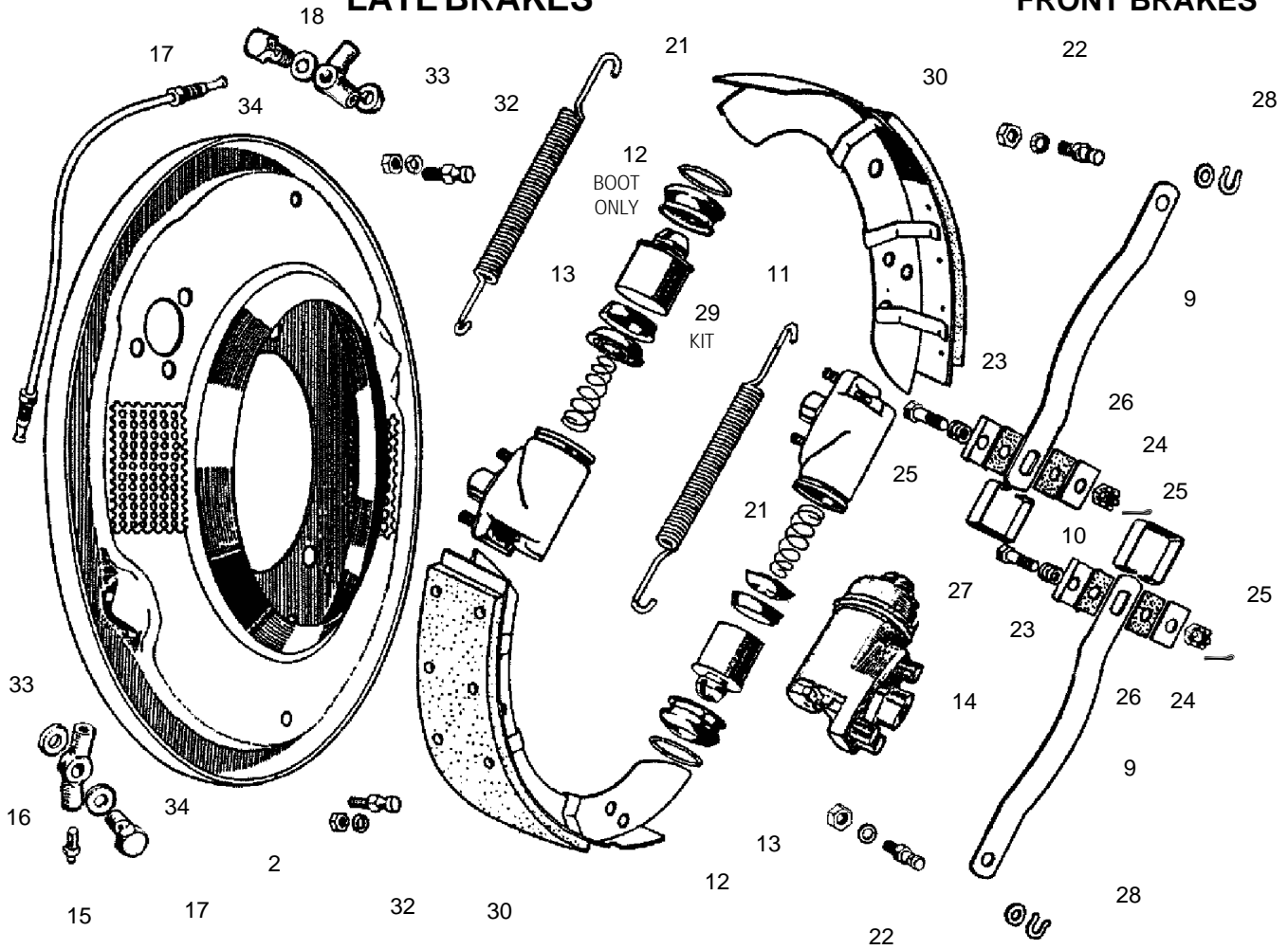
(CLIP FOR BRAKE PIPES)

	PART #	DESCRIPTION	QTY REQ	REMARKS
1	C3540	Brake fluid reservoir unit (up to 1951)	1	Refurbished original
2	C3909	Hose - from supply pipe to rear 3-way union	1	
3	C3922	Three-way union joining pipes on rear axle	1	
4	C7860	Clips securing pipes/cables to rear axle	3	
5	C5066	Return spring on handbrake cable	2	
5a	C5067	Retainer for C5066 spring	2	
6	C3828	Handbrake cable	1	<u>ENV axle</u>
	C6677	Handbrake cable	1	<u>Salisbury axle</u>
7	C3274	Handbrake cable compensator	1	
8	C3910	Locknut on brake hoses	3	
8a	C3911	Shakeproof washer for brake hoses	3	
9	C3322	Compensator rod for handbrake	1	
9a	C3266	Barrel nut on compensator rod	1	Brass
10	C3264	Spring on compensator rod	1	
11	C3265	Trunnion in C3656 operating lever	1	
12	C3654	Handbrake shaft - <b>R/hand drive</b>	1	<b>Right hand drive cars</b>
	C3655	Handbrake shaft - <b>L/hand drive</b>	1	<b>Left hand drive cars</b>
13	C3722	Spring at back of operating lever	1	Fits over handbrake shaft
14	C3656	Operating lever on shaft	1	
14a	C755	Woodruff key on handbrake shaft	2	
15	C3717S	Operating rod through handbrake lever	1	Comes with pawl, screw/washer
16	C3805	Ratchet for handbrake lever	1	
17	C3714	Handbrake lever <b>R/hand drive</b>	1	Also fits L/hand drive cars!
18	C606	Spring on rod for button return	1	
19	C3317	Return spring for brake pedal	1	
20	C3873	Button on end of hand brake lever	1	
21	792	Rubber pedal pad	1	Same used on clutch pedal
22	C3601	Brake pedal stem/plate	1	
23	C4036	Draught excluder on pedal stem	1	Same used on clutch pedal
24	C8030	Rigid pipe from supply tank - upper	1	Top half of pipe
25	C8030	Rigid pipe from supply tank - lower	1	Bottom half of pipe
25a	C3730	Low pressure hose to reservoir	1	
25b	C3738	Hose clip for C3730 hose	2	
26	C8565	Brake fluid supply tank for single line brakes	1	<b>Steel</b>
26a	1040	Clamp securing tank	1	
27	C3903	Bolt for banjo at top of master cylinder	1	
27a	C3928	Copper sealing washer	1	
28	C3902	Banjo at top of master cylinder	1	
28a	C3926	Copper sealing washer	1	
29	C8562	Master cylinder banjo - twin outlet	1	
30	C3900	Banjo bolt for brake light switch	1	Hollow banjo bolt
31	C3901	Stop (brake) light switch	1	Screws into C3900
32	BPS1	Brake line set - R/hand drive - <b>in Kunifer</b>	1	Single line brakes
	BPS2	Brake line set - L/hand drive - <b>in Kunifer</b>	1	Single line brakes
33	C3922	Three-way union for front brake pipes	1	
34	C3909	Brake hose - supply pipes to front wheel cylinders	2	
35	C5771	Abutment bracket for handbrake cable	1	
36	C8302	Brake master cylinder - single line brakes	1	Push-rod <b>not</b> included
36a	KL71410	Seal kit only for single master cylinder	1	
37	C3224	Inner sleeve for roller bearing	1	
38	C3223	Roller bearing inside pedal boss	1	Includes <b>outer</b> sleeve
39	C3252	Fork-end connecting pedal to push-rod on m/cylinder	1	
39a	C3857	Master cylinder adjusting rod	1	Includes lock-nuts
40	C3529	Clip securing pipes to chassis	7	Spring steel original type
41	-	Brake pedal arms - various	1	Need chassis number
42	C3923	Connector male/male for brake pipes	1	
43	C3925	Copper sealing washer for brakes	-	As required
44	C3926	Copper sealing washer for brakes	1	
45	1999	Push-rod for master cylinder	1	
46	C4032	Support bracket	1	Between m/cyl & pedal shaft
47	BD4876	Handbrake gaiter retainer	1	Holds leather gauntlet in place
48	J106/11S	Clevis pin in H/brake compensator	1	
49	L103/7U	Split pin	4	
50	J105/12S	Clevis pin for H/brake cable ends	2	
51	C3960	Shield for master cylinder	1	<b>LHD cars only</b>
52	1146	Filler cap <b>only</b>	1	For early <b>glass</b> reservoir
53	1282	Gasket for reservoir lid	1	For early <b>glass</b> reservoir
54	J106/17S	Clevis pin for Master cylinder rod	1	



### LATE BRAKES

### FRONT BRAKES



### REAR BRAKES

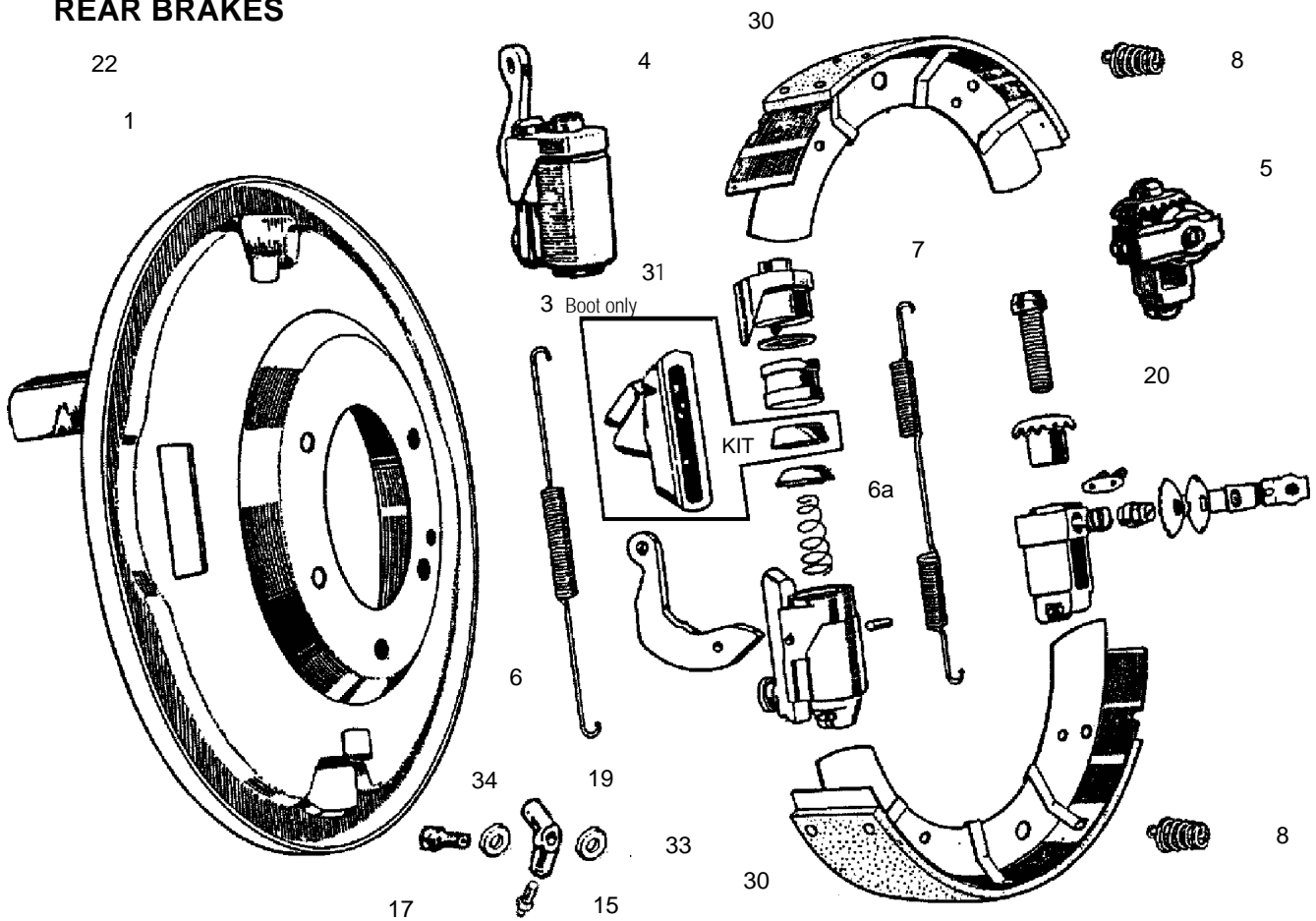
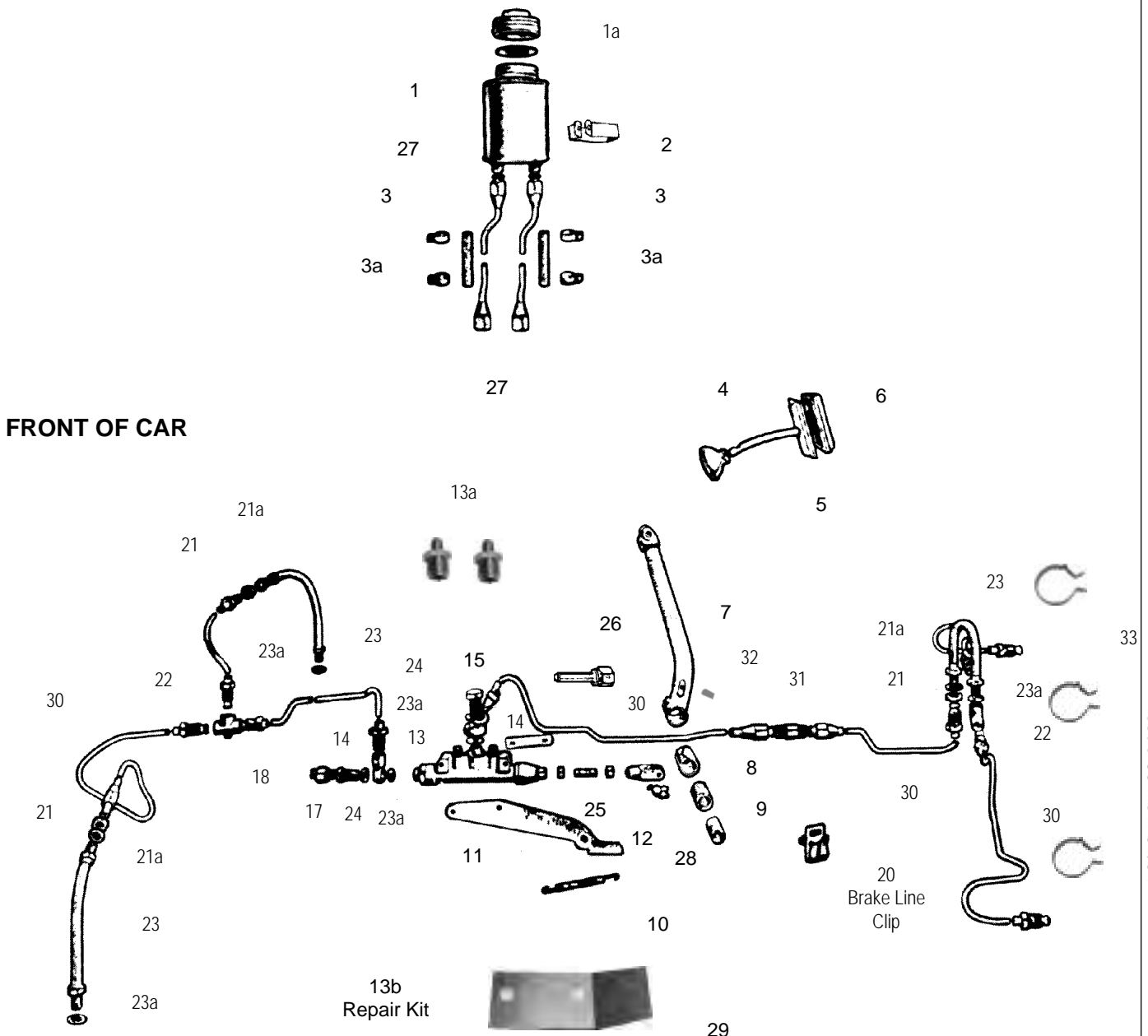


FIG. 15

	PART #	DESCRIPTION	QTY REQ	REMARKS
1	31393	Rear backplate <b>Right hand</b>	1	S/hand available
	31394	Rear backplate <b>Left hand</b>	1	S/hand available
2	30636	Front backplate <b>Right hand</b>	1	S/hand available
	30637	Front backplate <b>Left hand</b>	1	S/hand available
3	21740	Boot for wheel cylinder	2	On rear of backplate
4	39377	Rear wheel cylinder assembly	2	New
5	39038	Adjuster assembly on rear brake - <b>L/hand</b>	1	S/hand available
	39037	Adjuster assembly on rear brake - <b>R/hand</b>	1	S/hand available
6	30709	Pull-off spring on wheel cylinder side	2	Single coil spring - rear brakes
6a	30708	Pull-off spring on adjuster side	2	Double coil spring - rear brakes
7	35130E	Relined shoe assembly - <b>exchange</b>	4	All 4 shoes are same
8	21792	'Beehive' spring - rear brakes	4	Holds shoe to backplate
9	31057	Bar for automatic shoe adjustment	4	New
10	30627	Ratchet spring operating spring adjustment	4	New
11	35130E	Relined shoe assembly - <b>exchange</b>	4	See note on # 7
12	30632	Rubber boot <b>only</b> for front cylinder	4	
13	30631	Piston <b>only</b> for front wheel cylinder	4	New
14	30635	Front wheel cylinder complete assembly	4	New
15	C3908	Bleed screw (nipple)	4	Front & rear
16	C3907	Banjo for bottom front wheel cylinder	2	
17	C3906	Bolt for banjos	6	Front & rear
18	C3904	Banjo for top <b>R/hand</b> front wheel cylinder	1	
	C3905	Banjo for top <b>L/hand</b> front wheel cylinder	1	
19	C3907	Banjo for rear wheel cylinder	2	
20	30717/22	Rear adjuster wheel & screw assembly	2	Sold as 1x wheel, 1 x screw
21	30628	Pull-off spring for front brakes	4	New
22	33453	Front anchor pin - adjuster bar to shoe	4	Assembly with nut & washer
23	34015	Plate on friction pad - inner	4	For front brakes
24	34016	Plate on friction pad - outer	4	For front brakes
25	31058	Bolt holding friction pads to bar	4	Assembly with nut & washer & pin
26	31059	Adjuster friction pad	8	For front brakes
27	31061	Tensioner spring on friction pad bolt	4	
28	KL40002K	Circlips holding adjuster to anchor pin	car set	4 circlips & 4 washers
29	KL71490	Front wheel cylinder repair kit	4	Dust boot & seal only
30	35129	Brake linings (with rivets) 12 hole	8	Front & rear the same
31	KL71518	Rear wheel cylinder repair kit	2	Gaiter on backplate & seal only
32	30619	Peg assembly for spring on backplate	4	Assembly with nut & washer
33	C3925	Copper washer for banjo bolt - inner	6	Front & rear brakes
34	C3926	Copper washer for banjo bolt - outer	6	Front & rear brakes

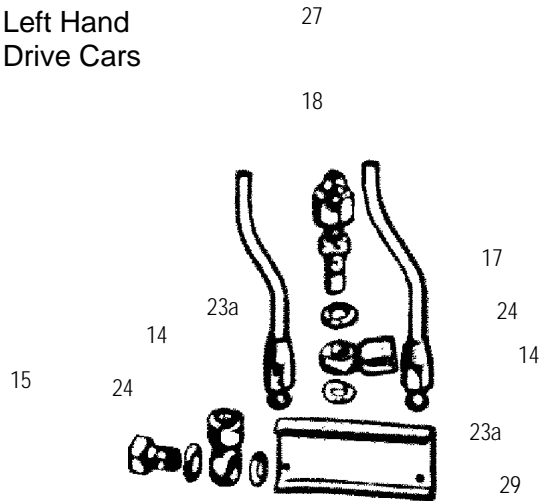
**NOTE:- FOR BRAKE DRUMS SEE FIG. 13**

**DUAL LINE BRAKES SYSTEM**



**FRONT OF CAR**

**Left Hand Drive Cars**



**For  
handbrake  
components  
see Figure 14**

**FIG. 16**

	PART #	DESCRIPTION	QTY REQ	REMARKS
1	C6427	Twin supply tank - steel	1	
1a	RC1	Reservoir cap only	1	
2	1040	Clamp securing tank	1	
3	C3730	Low pressure hoses to reservoir	2	
3a	C3738	Hose clip for C3738 hoses	4	
4	C4036	Draught excluder for pedal	1	Same used on clutch pedal
5	C6708	Brake pedal stem/plate	1	
6	792	Brake pedal rubber pad	1	Same used on clutch pedal
7	—	Brake pedal arms - various	1	<b>Need chassis number</b>
8	C3223	Roller bearing inside pedal boss	1	Includes outer sleeve
9	C3224	Inner sleeve for roller bearing	1	
10	C4801	Return spring on brake pedal	1	
11	C6696	Support bracket between pedal & m/cylinder	1	
12	C6761	Fork-end - connects pedal to master cylinder	1	
13	C6712RE	<b>Replacement</b> dual master cylinder assembly	1	
	Note:	Our own master cylinder replaces Jaguars master cylinder with an efficient modern unit		
13a	32961	Tilt valve for <b>original</b> master cylinder	2	Not used on our replacement m/cyl.
13b	KL71504	Repair kit for <b>original</b> master cylinder	1	
14	C3953	Banjo on master cylinder	2	
15	C3906	Banjo bolt on master cylinder	1	
17	C3900	Hollow bolt for stop-light switch	1	
18	C3901	Stop (brake) light switch	1	
20	C3529	Clip securing brake lines to chassis	7	Original type
21	C3910	Lock-nut for brake hoses	3	
21a	C3911	Shakeproof washer on brake hoses	3	
22	C3922	Three-way union for brake lines	2	Brass
23	C3909	Brake hose	3	
23a	C3925	Copper sealing washer	—	As required
24	C3926	Copper sealing washer	—	As required
25	C6693	Adjuster rod for master cylinder	1	Includes lock-nuts
26	30883	Push-rod in master cylinder	1	
27	C8030	Fluid supply rigid pipe	4	Includes nut
28	C13877	Grease nipple on pedal boss	1	
29	C6700	Heatshield for master cylinder - <b>LHD</b> cars	1	<b>Left-hand drive only</b>
30	BPS3	Brake line set in <b>Kunifer</b>	1	For RHD cars
	BPS4	Brake line set in <b>Kunifer</b>	1	For LHD cars
31	C3923	Brake line connector	1	Male/male thread
32	J106/17S	Clevis pin on brake pedal	1	
33	C6780	Clips holding brake pipes and cable to axle	3	

# PARTS COMMON TO ALL XK120 MODELS

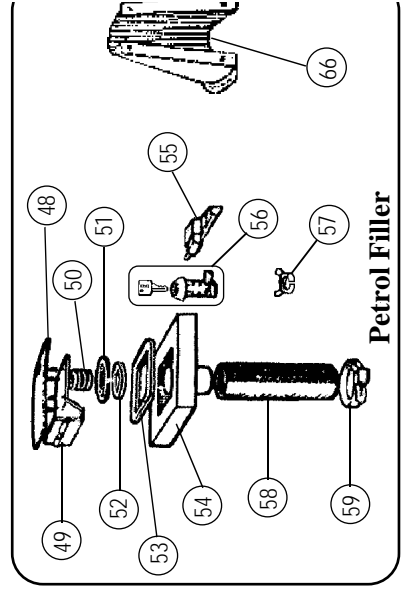
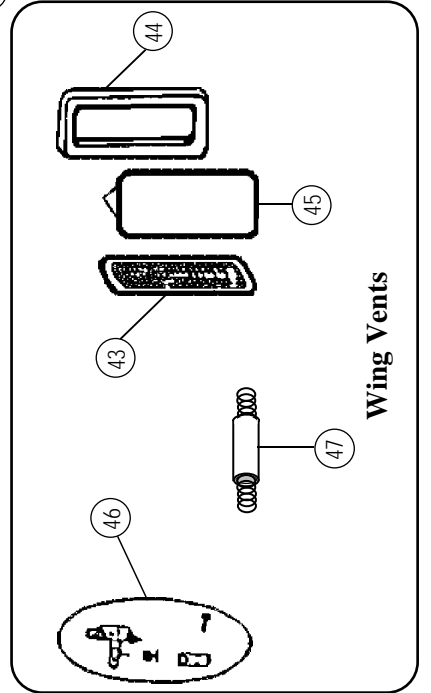
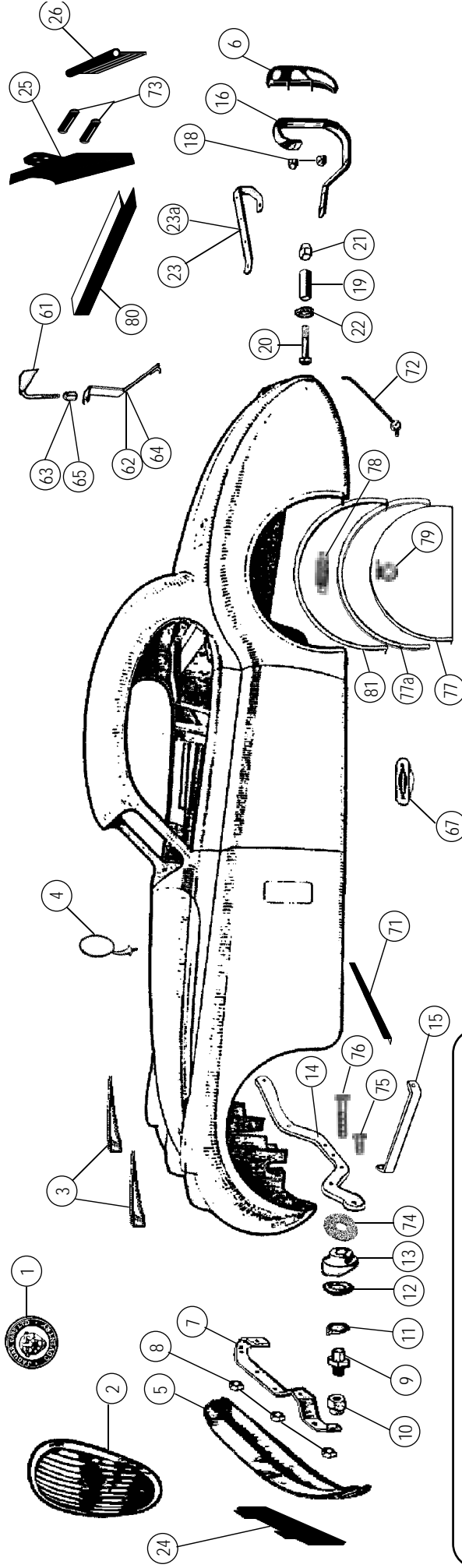
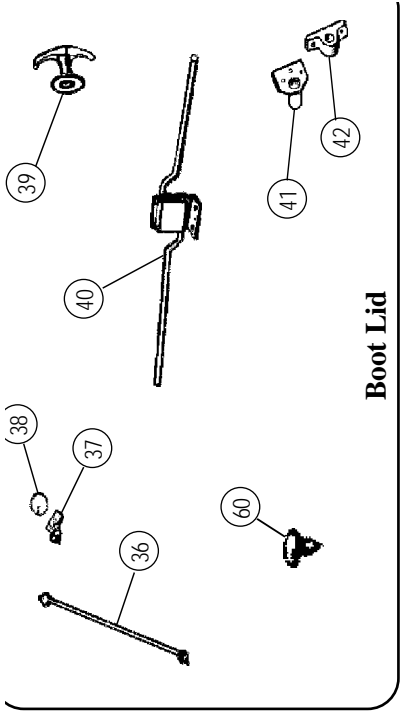
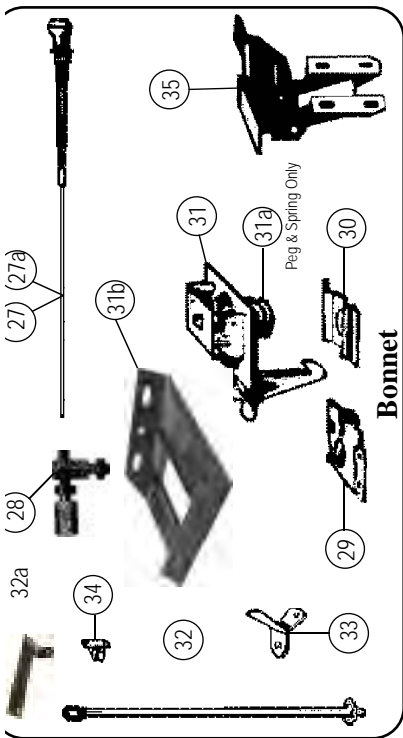
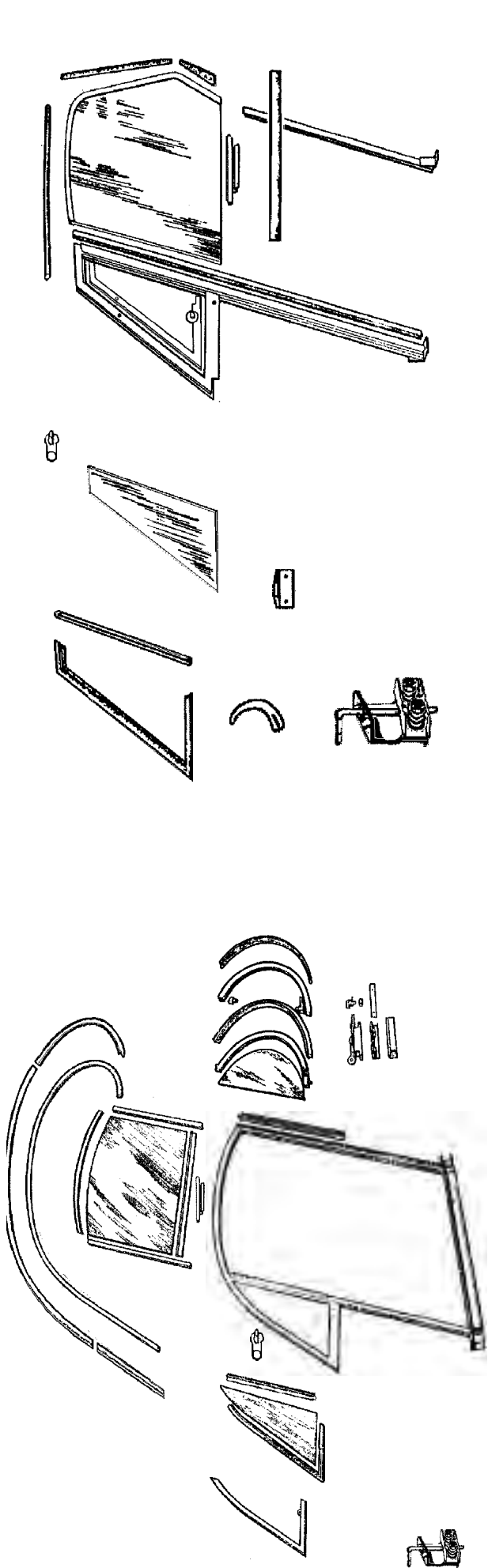


FIG 17

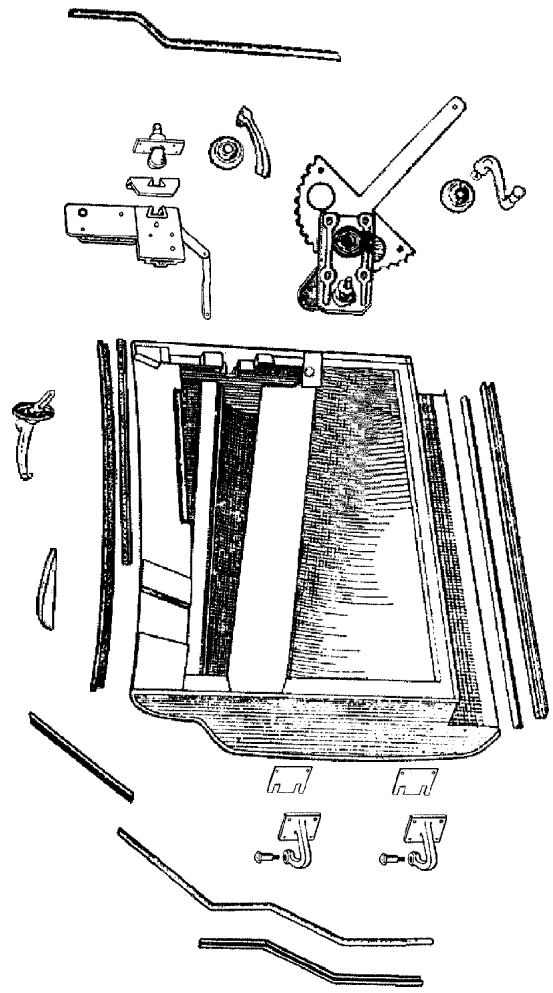
	PART #	DESCRIPTION	QTY REQ	REMARKS
1	BD3286	Bonnet badge	1	As original
2	BD2877	Radiator grille	1	
3	BD2561	Headlight 'spears'	2	Fit on top of headlamp pods
4	WX1905	Wing mirror - <b>R/Hand</b>	1	As original option
	WX1906	Wing mirror - <b>L/Hand</b>	1	As original option
5	BD2855	Front bumpers	2	Reproduction of original
6	BD2856/1	Rear bumper - <b>R/Hand</b>	1	Reproduction of original
	BD2856/2	Rear bumper - <b>L/Hand</b>	1	Reproduction of original
7	C3695	Iron, mounting front bumper	2	
8	NN137L	Nut holding front bumper to iron	6	
9	C3943	Chrome extension through front wings	4	
10	C5819	Large chrome dome nuts on C3943	4	
11	C3945	Chrome taper washers on C3943	4	
12	C3849	Rubber washers each side of bodywork	8	
13	C3225	Wing clamping washers	4	On inside of wings
14	C3831	Support crossmember for front bumpers	1	
15	C3833	Side brace for front bumper - <b>L/Hand</b>	1	
	C3832	Side brace for front bumper - <b>R/Hand</b>	1	
16	C5807	Iron, mounting rear bumpers	2	
18	C5829	Nut holding rear bumpers to irons	4	Chrome domed nut
19	C3778	Distance tube for rear bumpers	2	Chromed
20	NB150/41D	Long bolt through C3778 tube	2	
21	C5819	Large chrome dome nuts on NB150/41D bolts	2	
22	C2869	Grommet in bodywork for C3778	2	
23	BD4178	Support bracket for rear bumper - <b>R/Hand</b>	1	For <b>steel (disc) wheel cars</b>
	BD4179	Support bracket for rear bumper - <b>L/Hand</b>	1	For <b>steel (disc) wheel cars</b>
23a	BD7764	Support bracket for rear bumper - <b>R/Hand</b>	1	For <b>wire wheel cars</b>
	BD7763	Support bracket for rear bumper - <b>L/Hand</b>	1	For <b>wire wheel cars</b>
24	C3236	Front number plate mounting panel	1	
25	BD5644	Rear number plate mounting panel	1	With bracket for mounting lamp
26	BD8598N	Piping for rear number plate panel	1x 5ft	Black
27	BD2954A	Bonnet release cable - <u>with chrome knob</u>	1	As original on XK120
27a	BD2954	Bonnet release cable - <u>with plastic knob</u>	1	Cheaper alternative (as 140/150)
28	C4443A	Bonnet cable adjuster and post assembly	1	C4443 Adjuster and C3880 post
29	BD2950	Bonnet catch mechanism	1	Part that locks bonnet closed
30	BD2952	Guide plate for bonnet catch	1	
31	BD2951	Hook and striker assembly for bonnet catch	1	Part that fits to bonnet
31a	BD8432/3	Peg and spring only for bonnet catch	1	
31b	BD5106	Mounting plate for BD2951 hook/striker	1	
32	BD3270	Prop rod holding bonnet open	1	Rod only
32a	BD4418	Pivot bracket assembly for bonnet prop	1	Bolts to bonnet
33	BD3271	Socket for bonnet prop rod	1	Part that fits on body
34	BD4834	Clip to hold bonnet prop when not in use	1	Fits on bonnet
35	BD4379	Bonnet hinge	2	New
36	BPA1	Prop assembly holding boot open	1	Includes rod, bracket & special washers
37	BD3839	Clip to hold boot prop when not in use	1	Chromed
38	BD9160	Chrome disc under BD3839 clip	1	
39	BD3266	Boot lid handle	1	Includes lock, barrel & key
40	BD4322	Locking bars assembly for boot lid	1	Part that handle actuates
41	BD4323	Guides on bootlid for BD4322 lock bars	2	Screws to edge of bootlid
42	BD82	Escutcheon for boot lock rods	2	Fitted on body
43	BD5189	Gauze screen for wing vents	2	
44	BD5190	Seal for wing vent doors	2	Self adhesive on one side
45	BD5188	Door for wing vent	2	
46	2/16L	Hinge assembly for wing vent door - <b>L/hand</b>	1	Includes plunger assembly
	2/16R	Hinge assembly for wing vent door - <b>R/hand</b>	1	Includes plunger assembly
47	WVP	Plunger/spring assembly for wing vent door	2	
48	BD4357	Door only for petrol filler	1	
49	BD4358	Hinge only for petrol filler door	1	
50	BD4394	Spring only for petrol filler	1	
51	BD3699	Cap only for petrol filler	1	
52	BD3189	Seal only for petrol filler cap	1	Round seal - <b>now in neoprene</b>
53	BD4354	Seal for petrol filler door	1	Rectangular
54	BD4363	Petrol filler box only	1	
55	BD4353	Striker for petrol filler door	1	
56	BD4360	Lock assembly for BD4357 door - repro	1	Includes lock, barrel, key & escutcheon
57	BD8071	Clip to hold <u>original</u> Jaguar lock	1	<u>Not</u> required with <b>our</b> BD4360
58	BD4368	Petrol filler hose	1	
59	K7	Clip for petrol filler hose	2	
60	BD4616	Bonnet buffer rubbers	6	
61	BD7779	Hinge pin for spare wheel clamp	1	For steel <b>and</b> wire wheel cars
62	BD4515	Clamp for spare wheel in tray	1	<b>Steel wheel cars</b>
63	C3864	Nut for BD4515 spare wheel clamp	1	<b>Steel wheel cars</b>
64	BD7766	Clamp for spare wheel in tray	1	<b>Wire wheel cars</b>
65	BD7782	Nut for BD7766 spare wheel clamp	1	<b>Wire wheel cars</b>
66	BD4184	Cover for petrol filler pipe in boot - in aluminium	1	All models
67	BD3037	Jack aperture cover plate	2	All models
68	BD6256	Gearbox cover - <b>in steel</b>	1	All models
68a	BD6256F	Gearbox cover - <b>in fibreglass</b>	1	All models (cheaper option!)
69	BD3777	Gearbox inspection cover plate	1	All models
69a	BD1288/1	Gearbox inspection cover <b>screws only</b>	2	<b>Special fasteners</b>
69b	BD1288/1S	Gearbox inspection cover <b>screws &amp; receiver set</b>	Set	<b>Special fasteners</b>
70	BD6118	Propshaft cover - <b>in steel</b>	1	All models
71	BD3551/2	Front wing braces	Pair	Brace wings to chassis
72	BD6194	Rear wing brace - <b>L/hand</b>	1	
	BD6195	Rear wing brace - <b>R/hand</b>	1	
73	BD6581	Buffers for rear (number) plate	4	
74	C793	Steel washer on spacers	8	
75	NS150/7D	Screw holding front bumper extensions	2	
76	NB150/16D	Bolt holding front bumper extension	2	
77	BD4449	Spat covering wheel - <b>Left hand</b>	1	
	BD4450	Spat covering wheel - <b>Right hand</b>	1	
77a	BD4764/1	Seal between spat and wing	2	
78	BD2121	Budget lock for spat - <b>Left hand</b>	1	
	BD2122	Budget lock for spat - <b>Right hand</b>	1	
79	2312	Chrome cover (escutcheon) for lock hole in spat	2	
80	BD4694	Channel holding lower seal	1	
81	BD7770	Wheel arch finisher - for wire wheel cars	2	



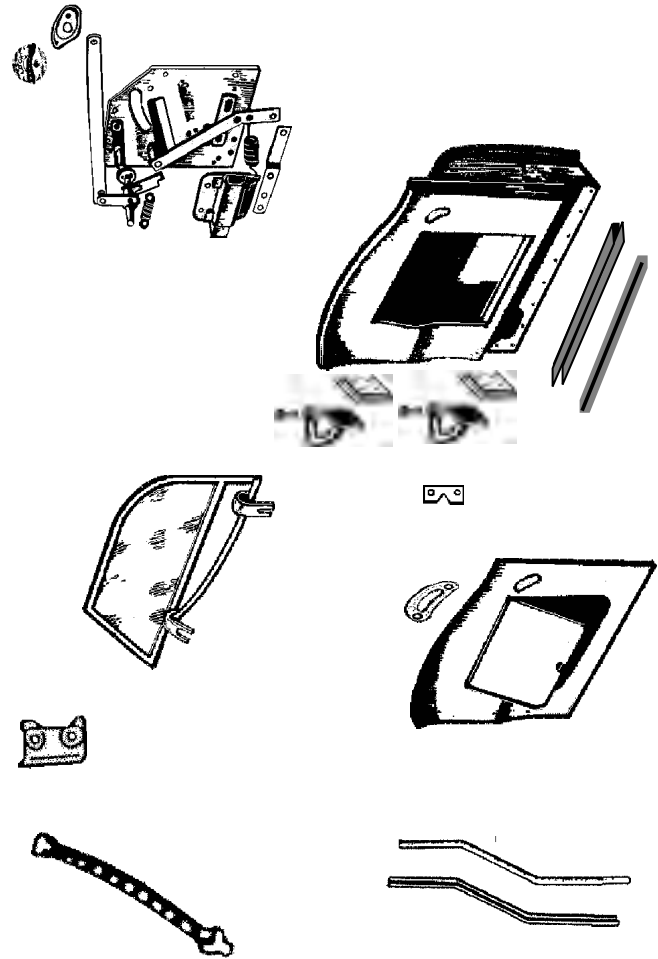
Drop Head Coupé

Fixed Head Coupé

FIG 18



Fixed Head & Drop Head Coupé



Open two-seater - Roadster

	PART #	DESCRIPTION	QTY REQ	REMARKS
1	QLS100	Front 1/4 light (NDV) seal kit	Car set	DHC/FHC
2	BD3982	Front 1/4 light locking handle - <b>R/hand</b>	1	DHC/FHC
	BD3981	Front 1/4 light locking handle - <b>L/hand</b>	1	DHC/FHC
3	BD3991	Front striker plate for locking handles	2	DHC/FHC
3a	BD4899/1	Screw for BD3991 1/4 light strikers	4	
4	BD3804	Front 1/4 light upper pivot assembly - <b>L/hand</b>	1	DHC/FHC
	BD3803	Front 1/4 light upper pivot assembly - <b>R/hand</b>	1	DHC/FHC
5	BD2394	Rear 1/4 light catch - <b>L/hand</b>	1	FHC
	BD2393	Rear 1/4 light catch - <b>R/hand</b>	1	FHC
6	841	Securing screw for above	2	FHC
7	BD5358/5	Piping for rear 1/4 light	2	FHC
8	BD5989	Rear 1/4 light seal between inner & outer frames	2	FHC
9	BD11030	Rubber insert door to rear 1/4 light)	2	FHC
10	BD2045	Cant rail seal (per foot)	11ft	FHC
11	BD2701/3	Door capping strip <b>N/A</b> - use BD6027	2	FHC
12	BD5082	Door window channel felt - <b>sold in 3ft lengths</b>	6 x 3ft	FHC
16	BD4814	Door top seal (per foot)	3ft	DHC
17	BD6786	Chrome frame for door glass	2	DHC
18	BD4814	Upper head pillar seal (per foot)	2ft	DHC
19	BD6027	Draught excluder for inside door glass	2	DHC
20	BD9116	Guide for door glass - <b>R/hand</b>	1	DHC - chromed
	BD9115	Guide for door glass - <b>L/hand</b>	1	DHC - chromed
21	BD5082	Door window channel felt - <b>sold in 3ft lengths</b>	2 x 3ft	DHC
22	BD6758	Door drop glass	2	DHC - <u>frame not included</u>
23	BD8548	Finger pull on door capping	2	DHC - chromed
24	BD2159	Shut pillar seal (per foot)	5ft	DHC
24a	BD2045	Shut pillar seal (per foot)	4ft	FHC
25	2311/1	Door striker on 'B' post - <b>R/hand</b>	1	DHC
	2310/1	Door striker on 'B' post - <b>L/hand</b>	1	DHC
26	BD5980	Door lock cover plate - <b>R/hand</b>	1	DHC - chromed
	BD5979	Door lock cover plate - <b>L/hand</b>	1	DHC - chromed
27	BD7833	Door lock - <b>R/hand</b>	1	DHC/FHC - when available
	BD7832	Door lock - <b>L/hand</b>	1	DHC/FHC - when available
28	BD8065	Outer door handle L/hand & R/hand	2	DHC/FHC - lock & key included
	BD8066	Outer door handle - <u>not handed use BD8065</u>	-	Use BD 8065
	BD8065P	Pair of door handles with matched keys	Pair	DHC/FHC
29	BD6027	Weather strip between glass & door top	2	DHC/FHC - outside of door
30	BD5358/4	Door top piping to glass	2	DHC/FHC - outside of door
31	BD552/1	Escutcheon behind window and inner door handles	4	DHC/FHC - spring loaded type
32	BD2233	Window winder handle	2	DHC/FHC - chromed
33	BD7855	Door handle (inner)	2	DHC/FHC - chromed
34	BD7831	Window regulator assembly - <b>R/hand</b>	1	DHC/FHC
	BD7830	Window regulator assembly - <b>L/hand</b>	1	DHC/FHC
35	BD4701/1	Door shims - <b>0.036"</b> - use as required	-	All models
36	BD4156K	Hinge pivot pin & bush kit	Car set	All models (for 2 doors)
37	BD4814	Hinge/screen pillar seal (per foot)	8ft	DHC
37a	BD2045	Hinge pillar seal (per foot)	5ft	OTS/FHC
38	BD6049/54	Set of upper seal retainers	Car set	FHC - <b>6 piece set</b>
39	BD2045	Seals for sills (per foot)	6ft	All models
40	BD10158	Retainer channel for sill seals	2	All models
41	BD4431	Door lock safety catch	2	Roadster
42	BD4241	Lock knob for safety catch - <b>R/hand</b>	1	Roadster
	BD4240	Lock knob for safety catch - <b>L/hand</b>	1	Roadster
43	BD4350	Door lock assembly - <b>R/hand</b>	1	Roadster
	BD4349	Door lock assembly - <b>L/hand</b>	1	Roadster
44	BD2930	Door lock striker - <b>chromed</b>	2	Roadster
44a	AS302/4H	Screw for door strikers	4	Roadster
44b	NYL 2BA	Nyloc nut for striker & dovetails	12	(4 on strikers/8 on dovetails)
45a	AS502/5H	Screw for door dovetails	8	
45	BD2941/2	Door dovetail assy. (male & female parts)	2	Roadster
46	BD3540	Swivel (pull part) on end of lanyard	2	Roadster
47	BD3556	Bracket holding end of lanyard	2	Roadster
48	BD3560	Cover plate (kidney plate) for door locks	2	Roadster
49	BD4157	Door hinge swing arm	4	Roadster
50	BD4675	Door hinge stop plate for lower hinge - fits on hinge pillar	2	Roadster
51	BD5856	Frame assembly for sidecurtain - <b>R/hand</b>	1	Roadster - <b>untrimmed</b>
	BD5855	Frame assembly for sidecurtain - <b>L/hand</b>	1	Roadster - <b>untrimmed</b>
	*Note* The above are upper & lower frames (The lower is chrome) and include the chrome finishers around the window"			
52	BD5851	Window in 'Lexan' (strong perspex)	2	Roadster
53	BD3429	Knob securing side curtain frame to door	4	Roadster
54	BD3428	Escutcheon under BD3429 knob	4	Roadster
55	BD5063	Door drop glass	2	FHC
56	BD9126	Lift channel for door glass	2	DHC/FHC
57	BD5064	Glass only for front 1/4 light (NDV)	2	FHC
58	BD6759	Glass only for front 1/4 light (NDV)	2	DHC
59	BD5065	Glass only for rear 1/4 light (NDV)	2	FHC
60	BD11244	Frame assy. for front 1/4 light - <b>R/hand</b>	1	DHC
	BD11243	Frame assy. for front 1/4 light - <b>L/hand</b>	1	DHC
61	BD7839	Window regulator rail - <b>R/hand</b>	1	DHC/FHC
	BD7838	Window regulator rail - <b>L/hand</b>	1	DHC/FHC
62	APC1	Seal retainers on hinge pillar	Pair	Roadster
63	BD8443/4	Seal retainers on hinge pillar	Pair	DHC/FHC
64	BD8862	Friction pivot assy. on front 1/4 light - <b>R/hand</b>	1	DHC/FHC
	BD8861	Friction pivot assy. on front 1/4 light - <b>L/hand</b>	1	DHC/FHC
65	BD8756	<b>Spindle only</b> for front 1/4 light friction pivot	2	DHC/FHC
66	BD8058	Retainer for seal on windscreen pillar	2	DHC
67	BD5015	Door hinge swing arms	4	DHC/FHC
68	BD3559	Door pull lanyards - <b>need required colour</b>	Pair	Roadster
69	WRRK1	Repair kit for window regulator	2	
70	9/01301	Roadster matching lock barrel set	1	Ign. Boot, Petrol flap
71	9/01302	DHC/FHC matching lock barrel set	1	Ign. Doors, Boot, Petrol flap



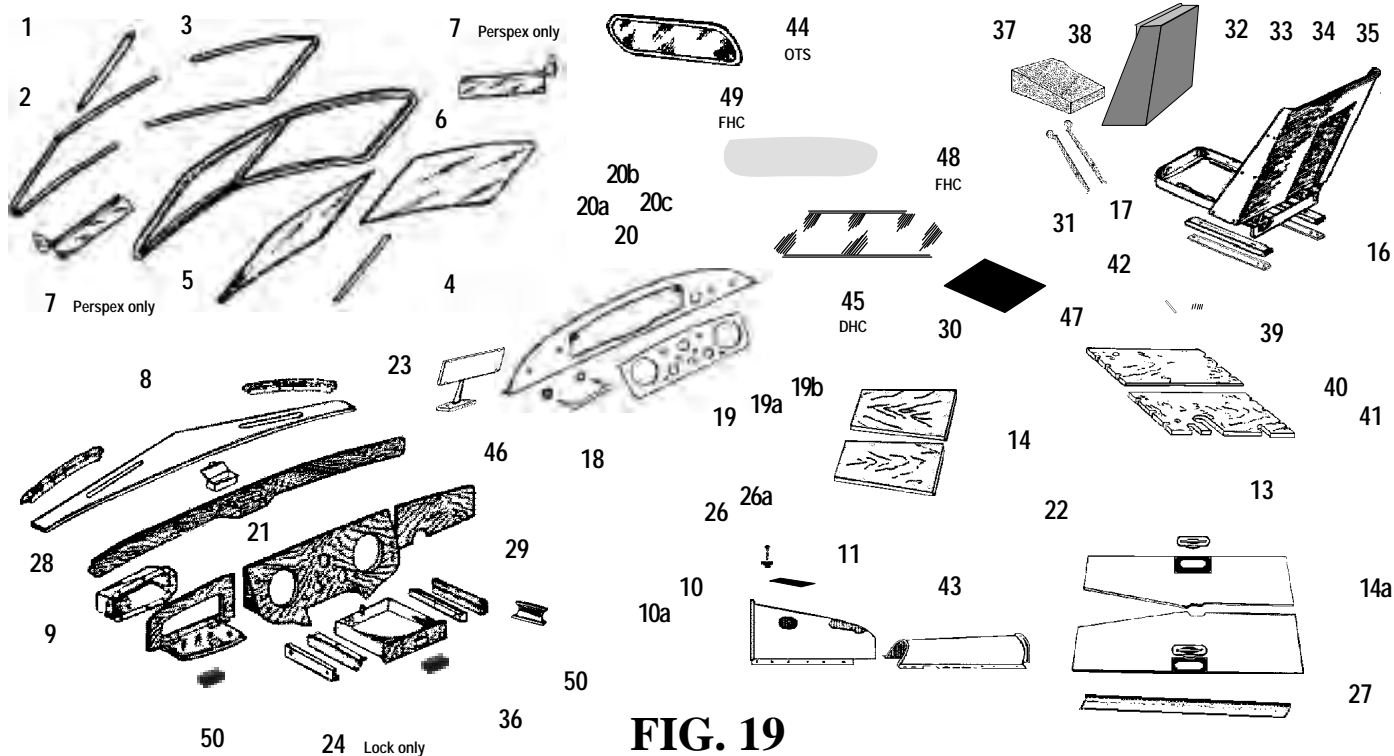
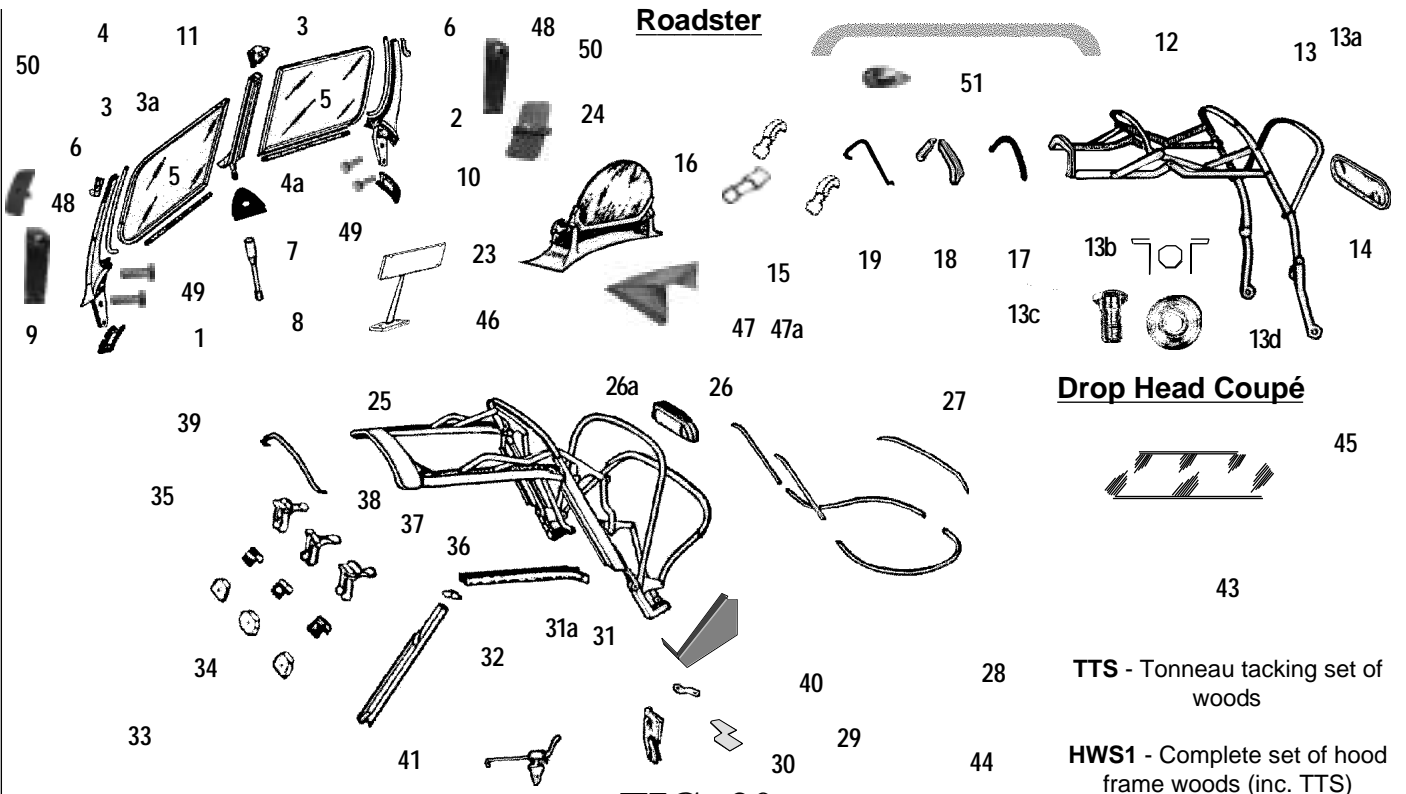


FIG. 19

	PART #	DESCRIPTION	QTY REQ.	REMARKS
1	BD7963	Screen centre chrome trim (outer)	1	DHC/FHC
2	BD7961	LH screen chrome	1	DHC/FHC
3	BD7962	RH screen chrome	1	DHC/FHC
4	BD7964	Screen centre chrome trim (inner)	1	DHC/FHC
5	BD7960	Windscreen rubber seal	1	DHC/FHC
6	BD7967	Windscreen glass	2	DHC/FHC
7	BD6077	<b>Perspex only</b> for sun visor	2	FHC only
8	BD6429	Demister chrome vent	2	All models with heater
9	BD8721	Cubby box behind LH facia - RHD cars	1	FHC/DHC
	BD8722	Cubby box behind RH facia - LHD cars	1	FHC/DHC
10	BD6256	Gearbox cover assembly - in steel	1	All models
10a	BD6256F	Gearbox cover assembly - in fibreglass	1	All models - <b>cheaper</b>
11	BD3777	Gearbox inspection cover	1	To check oil level
13	BD3037	Jack hole cover plate	2	All models
14	BD6114	Floorboards - DHC/FHC	2	DHC/FHC
14a	BD4268/9	Floorboards for roadster - sold in pairs	Pair	Roadster only
16	BD3308/9S	Seat runners - sold as <b>seat set</b>	2	1 plain - 1 slotted per seat
17	SB120L	Seat base frame - <b>L/hand</b>	1	All models
	SB120R	Seat base frame - <b>R/hand</b>	1	All models
18	BD4660	Grab handle on roadster dash	1	Roadster
19	BD4467	Instrument board wooden panel	1	Roadster - <b>Early</b>
19a	BD8103	Instrument board wooden panel	1	Roadster - <b>Late</b>
19b	BD3291	Instrument board wooden panel - <b>Early</b>	1	Ali cars only
20	BD4634	Aluminium facia panel - RHD cars - <b>Early</b>	1	Roadster - RHD
20a	BD4606	Aluminium facia panel - LHD cars - <b>Early</b>	1	Roadster - LHD
20b	BD4634/1	Aluminium facia panel - RHD - <b>Late</b>	1	Roadster RHD
20c	BD4606/1	Aluminium facia panel - LHD - <b>Late</b>	1	Roadster LHD
21	WSL120D	Complete set of veneered wood - DHC - <b>LHD</b>	1	Sold as car set (to order only)
	WSR120D	Complete set of veneered wood - DHC - <b>RHD</b>	1	Sold as car set (to order only)
	WSL120F	Complete set of veneered wood - FHC - <b>LHD</b>	1	Sold as car set (to order only)
	WSR120F	Complete set of veneered wood - FHC - <b>RHD</b>	1	Sold as car set (to order only)
22	BD9415	Plate around jack hole cover	2	Roadster only
23	BD9276	Panel between instruments and windscreen	1	DHC/FHC (to order only)
24	BD5300	Glove box lock	1	DHC/FHC
26	BD1288/1	Gearbox inspection cover <u>screws only</u>	2	
26a	BD1288/1S	Gearbox inspection cover <u>screws &amp; receivers set</u>	1 set	Car set
27	BD9935	Carpet chrome finisher <b>for roadster</b>	2	For edge of carpet
28	BD553	Ashtray for dash top	1	Chrome finish
29	CBK	Wooden knob for drawer & cubby box	2	DHC/FHC
30	SBP	Seat base pan	2	In fibreglass
31	BD10969	Seat adjuster lever - LH	1	
	BD10970	Seat adjuster lever - RH	1	
32	SFL120S	Roadster seat frame (inc. wood) L/hand	1	Base & squab frames
33	SFR120S	Roadster seat frame (inc. wood) R/hand	1	Base & squab frames
34	SFL120DF	DHC/FHC seat frame (inc. wood) L/hand	1	Base & squab frames
35	SFR120DF	DHC/FHC seat frame (inc. wood) R/hand	1	Base & squab frames
36	BD8821/3	Set of drawer runners (4 pieces)	Set	DHC/FHC
37	SCF1	Seat cushion foam only	2	All models
38	SBF1	Seat back foam only	2	All models
39	BD4507	Boot floorboards - <b>Right hand</b>	1	<b>All models</b>
40	BD4506	Boot floorboard - <b>Left hand</b>	1	<b>OTS &amp; FHC</b>
41	BD6703	Boot floorboards - <b>Left hand</b>	1	<b>DHC</b>
42	BD6244	Seat tapping plates	4	Holds seat runner to floor
43	BD6118	Propshaft cover - <b>in steel</b>	1	All models
44	BD4405	Rear window/frame assembly for hood	1	<b>Roadster</b>
45	BD6760	Rear window/frame assembly for hood	1	<b>DHC</b>
46	C5501	Interior mirror - short stem	1	<b>DHC/FHC</b>
47	BD3255	Seat pivot bolt - chromed	4	All models
48	BD5023	Rear glass for fixed head coupé	1	
49	BD6457	Aluminium trim around BD5023 glass	1	For inside of car
50	BD4717	Wooden knob (laquered) for cubby box & drawer	2	



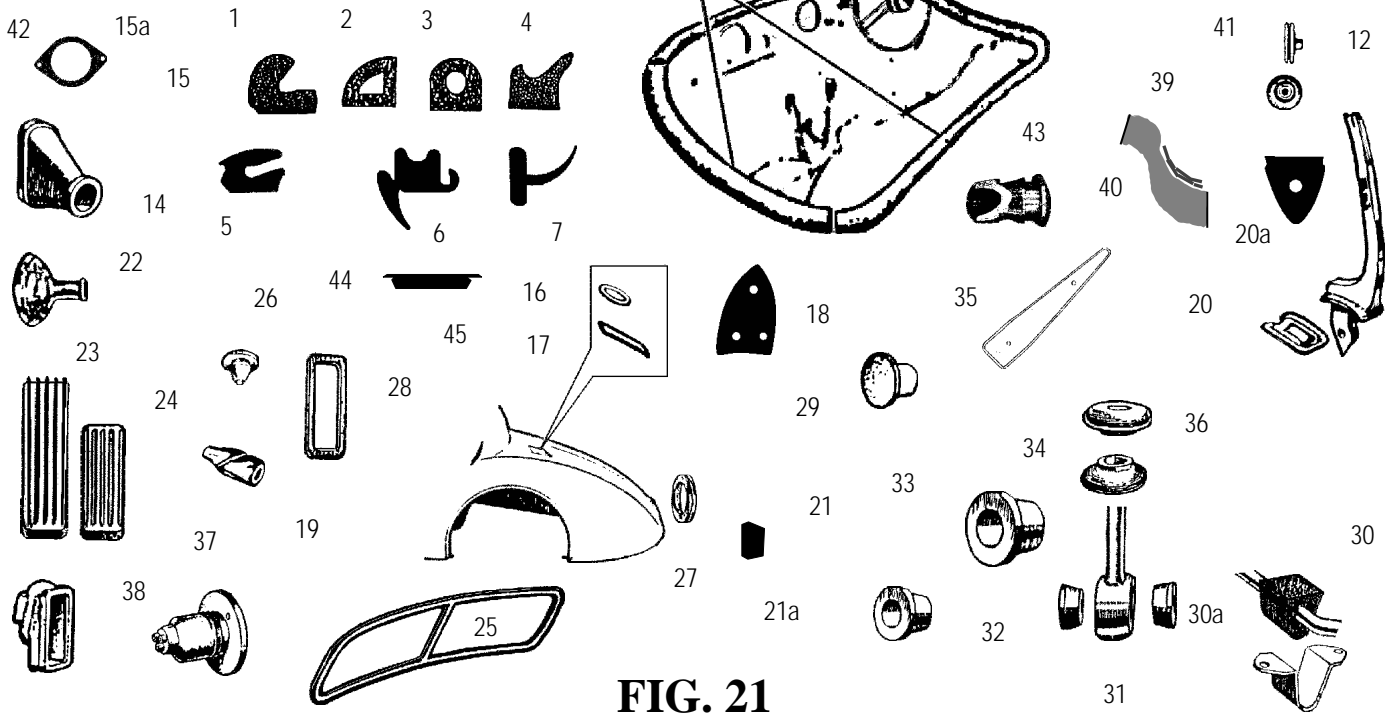
**FIG. 20**

PART #	DESCRIPTION	QTY REQ	REMARKS
1	BD3765 Windscreen side pillar - <b>L/hand</b>	1	Roadster only
2	BD3766 Windscreen side pillar - <b>R/hand</b>	1	Roadster only
3	BD3017/8 Frames for windscreen glasses	Pair	Roadster only
3a	WFSS Windscreen frame screw set	Set	Chromed
4	BD3014 Windscreen centre pillar	1	Roadster only
4a	CPP Rubber pad under centre pillar	1	Roadster only
5	BD3237 Windscreen glass	2	Roadster only
6	BD3545 Hood hook at top of side pillars	2	Roadster only
7	BD4696 Special long nut for centre pillar	1	Roadster only
8	BD2159 Sealing rubber, screen to body - sold per foot	4ft	Roadster only
9/10	BD3887P Rubber grommets under side pillars	Pair	Roadster only
11	BD3239 Hood hook at top of centre pillar	1	Roadster only
12	RHB1 Bar in rear of hood - (Stitched in)	1	Roadster only
13	BD4727 Hoodsticks (frame) assembly - <b>Early</b>	1	Roadster (Also replaces BD3317)
13a	BD5848 Hoodsticks (frame) assembly - <b>Late</b>	1	Roadster (LATE)
13b	4/70LR Hood frame mounting bracket	2	Roadster
13c	BD4730 Roadster hood pivot bolt	2	Roadster - chromed
13d	BD4731 Roadster hood pivot spacer washer	2	Roadster - chromed
14	BD4405 Rear window assembly in hood	1	Roadster - Frames, perspex & screws
15	BD3541 Hood toggle clamps - <b>outer</b>	2	Roadster only
16	BD3542 Hood toggle clamp - <b>centre</b>	1	Roadster only
17	BD4374 Sealing rubber between hood & screen	1	Roadster only
18	BD3281/2 Pair canopy rail wood bows	Pair	Roadster only
19	BD3838 Front hood bead - chromed - <b>screw on</b>	1	Roadster only
23	BD4299 Aeroscreen plinth - <b>L/hand</b>	1	Roadster - <b>as option</b>
24	BD4300 Aeroscreen plinth - <b>R/hand</b>	1	Roadster - <b>as option</b>
25	BD4289 Aeroscreen frame & glass assembly	2	Roadster - <b>as option</b>
26	BD6724 DHC hoodsticks (frame) assembly	1	<b>DHC</b>
26a	BD862 DHC Interior lamp assembly - <b>secondhand</b>	1	<b>DHC</b>
26a	BD14049 (XK150) interior lamp assembly - new	1	<b>Cheaper alternative!</b>
27	BD6777 Rear, upper hood bead	1	<b>DHC - Not chromed</b>
28	BD13462/5 Set of lower hood beads (4 piece set)	Set	<b>DHC - Not chromed</b>
29	BD8000 Chrome finisher at top of lower head pillar capping - <b>L/hand</b>	1	<b>DHC</b>
30	BD8001 Chrome finisher at top of lower head pillar capping - <b>R/hand</b>	1	<b>DHC</b>
31	BD8002 Chrome finisher at bottom of upper head pillar capping - <b>L/hand</b>	1	<b>DHC</b>
31a	BD8003 Chrome finisher at bottom of upper head pillar capping - <b>R/hand</b>	1	<b>DHC</b>
31a	BD9045 Chrome drip bead on cant rail - <b>L/hand</b>	1	<b>DHC</b>
31a	BD9046 Chrome drip bead on cant rail - <b>R/hand</b>	1	<b>DHC</b>
31a	BD9045A Aluminium mount for BD9045	1	<b>DHC</b>
31a	BD9046A Aluminium mount for BD9046	1	<b>DHC</b>
32	BD8004 Chrome finisher for screen pillar capping - <b>L/hand</b>	1	<b>DHC</b>
32	BD8005 Chrome finisher for screen pillar capping - <b>R/hand</b>	1	<b>DHC</b>
33	BD6797 Mounting plate for side hood hooks	2	<b>DHC</b>
34	BD6796 Mounting plate for centre hood hooks	1	<b>DHC</b>
35	BD6799 Hooks to engage with toggle clamps	3	<b>DHC</b>
36	BD8044 Toggle clamps for front of hood - <b>L/hand</b>	1	<b>DHC</b>
37	BD8046 Toggle clamps for front of hood - <b>Centre</b>	1	<b>DHC</b>
38	BD8045 Toggle clamps for front of hood - <b>R/hand</b>	1	<b>DHC</b>
39	BD6776 Beading on canopy rail (front of hood)	1	<b>DHC - Not chromed</b>
40	2/69LR Hood frame mounting brackets - pair	Pair	<b>DHC</b>
41	BD9170 Hood rear hold down clamp	2	<b>DHC (not handed)</b>
43	TTS Tonneau tacking wood set	Set	<b>DHC - 3 piece set</b>
44	HWS1 Complete set of hood wood (inc. TTS)	Set	<b>DHC</b>
45	BD6760 Rear window assembly in hood	1	<b>DHC - Frames, perspex &amp; screws</b>
46	C5500 Interior mirror - long stem	1	<b>Roadster</b>
47	MC1 Mirror cowl for <b>RHD cars</b>	1	As "Racing" option
47a	MC2 Mirror cowl for <b>LHD cars</b>	1	As "Racing" option
48	BD4672 Tapping plates for windscreen pillars	2	
49	FB108/14D Bolts holding windscreen pillars	4	
50	BD6233/4 Blanking plates for windscreen pillar holes	Pair	For use with "Aeroscreens"
51	BD3241 "Teardrop" for rear hood location	2	Chromed

**Full body rubber kits – all models available see below**

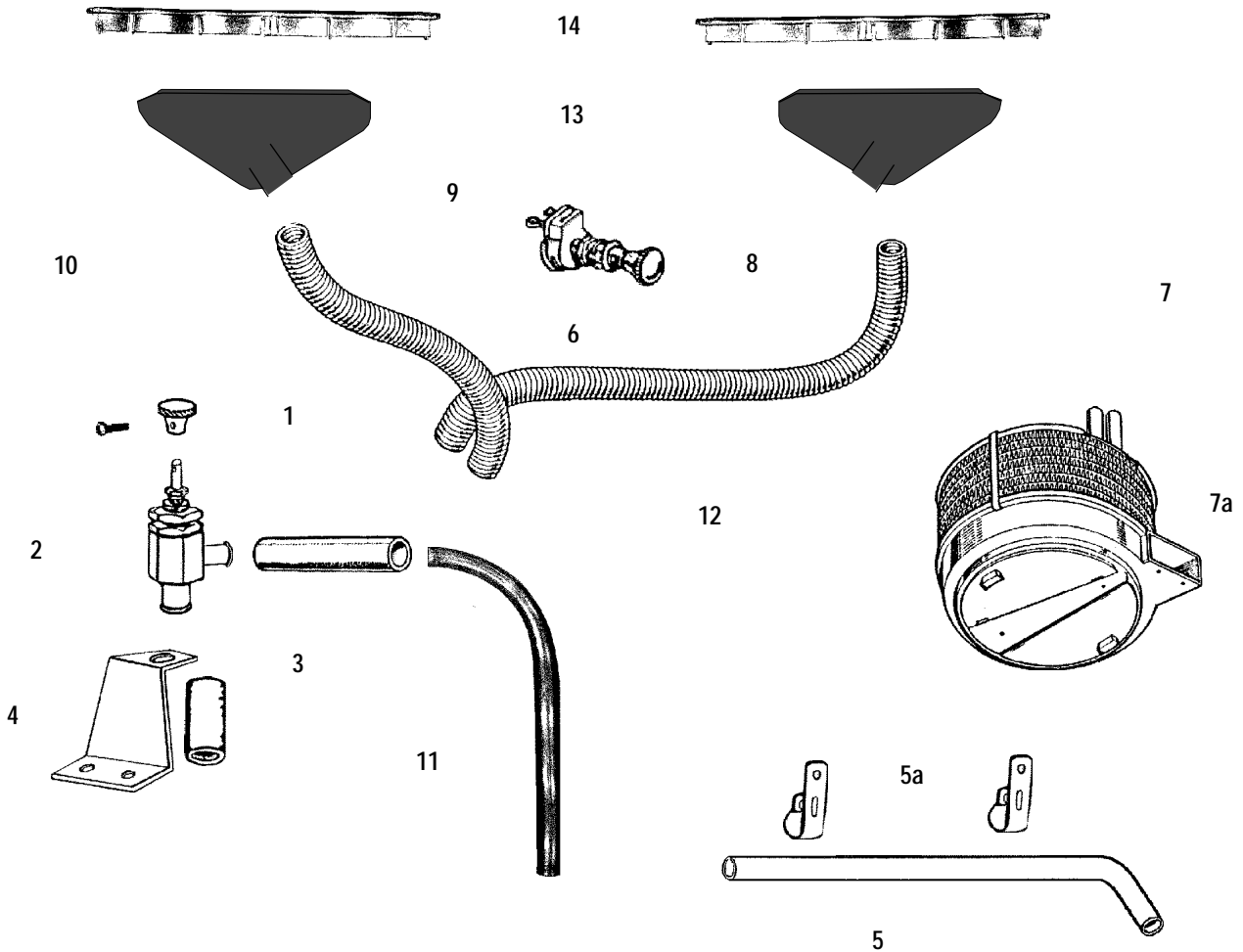
**Cockpit 'D' rubber for roadster**

**Rubber grommet kit for bulkhead and chassis RGK120**



**FIG. 21**

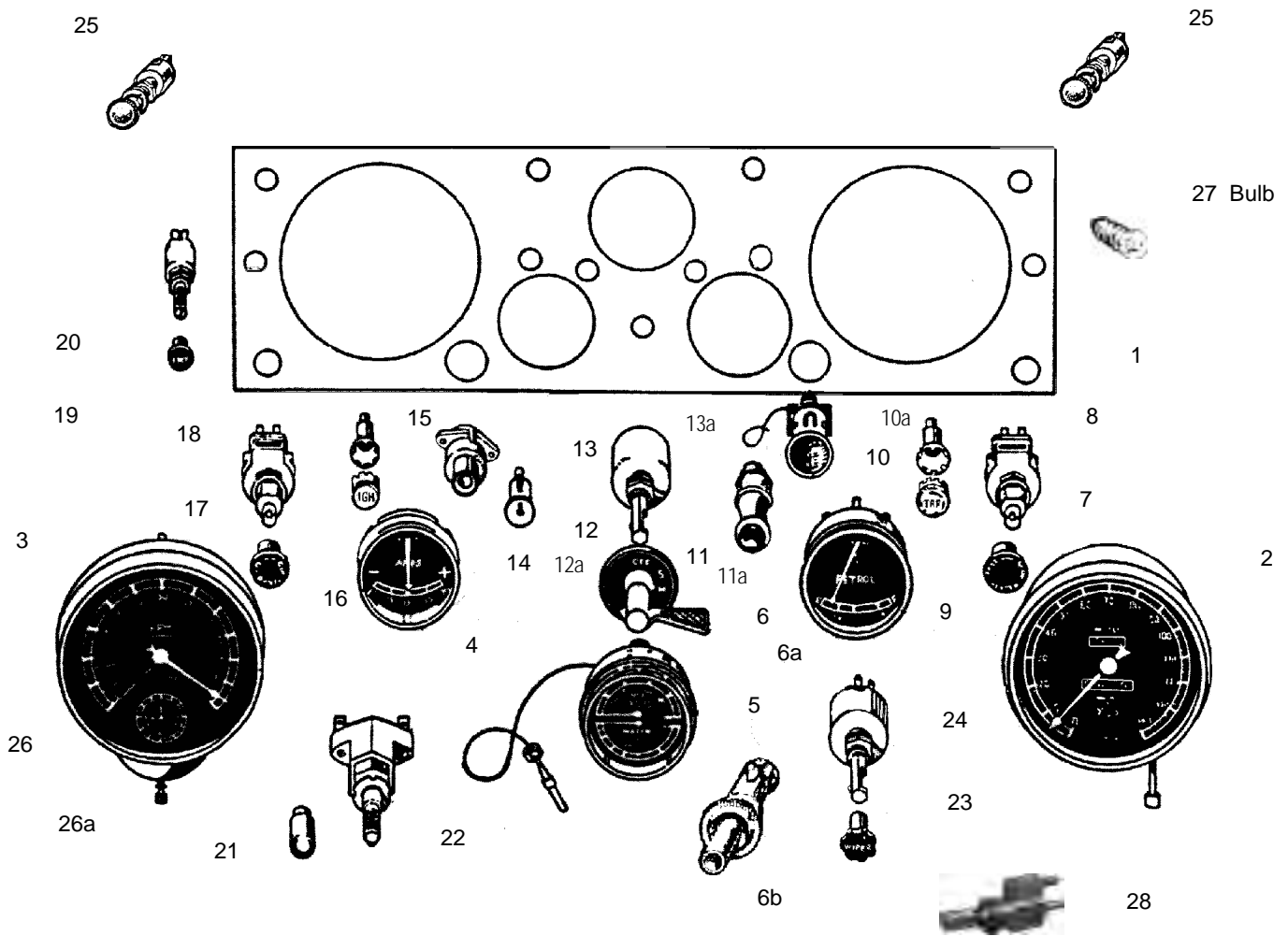
PART #	DESCRIPTION	QTY REQ	REMARKS
1	BD2045 Body seal - Hinge pillars, sills, lower boot etc.	Sold per foot	
2	BD4814 Body seal - Hood, cantrailis etc.	Sold per foot	
3	BD2159 Body seal - Shut pillars etc.	Sold per foot	<b>DHC only</b>
4	BD9345 Seal - Bootlid	Sold per foot	
5	BD4875 Body seal - Bootlid on <b>Early</b> roadster	Sold per foot	
6	BD5989 Seal - rear quarter light	2	
7	BD11030 Seal - Door frame to rear quarter light	2-4	Comes as 22" length
12	ACC34 Grommet for speedo & rev counter cables	2	Also for front 1/4 light vertical
13	BD3631 Cockpit 'D' Rubber	Set	<b>Also comes in RGK120 kit</b>
14	C3766 Steering column grommet	1	Sold as 5 metre set
15	C3766/1 Aluminium plate for C3766/1 grommet to body	1	<b>DHC/FHC</b>
15a	BD3145 Seal inside petrol filler cap	1	<b>Roadster only</b>
16	BD3189 Rubber seal - petrol filler door to body	1	Round seal - Neoprene
17	BD4354 Rubber seal under tail lamp housing	1	Rectangular seal
18	BD2964P Grommet on wiper wheelbox spindles	Pair	
19	3522 Pad under feet of windscreen side pillars	2	
20	BD3887P Pad under windscreen centre pillar	Pair	Sold as pairs
20a	CPP Bush for front shock absorber - <b>upper</b>	1	
21	C3053 Bush for front shock absorber - <b>lower</b>	4	Also in polyurethane
21a	C3273 Draught excluder for pedal stems	4	Also in polyurethane
22	C4036 Pedal pad - <b>brake and clutch</b>	2	On brake and clutch
23	792 Pedal pad - <b>accelerator</b>	2	
24	C3473 Windscreen seal	1	DHC/FHC
25	BD7960 Bonnet buffers on wing	6	
26	BD4616 Grommet on rear bumper extension through bodywork	2	
27	C2869 Ventilator door seal in front wing	2	Self-adhesive one side
28	BD5190 Plug for jack socket in chassis	2	
29	1048/A Anti-roll bar rubber to chassis	2	
30	C4349 A.R.B. rubber to chassis - <b>Early cars</b>	2	Also in polyurethane
30a	C3056 A.R.B. rubber to chassis - <b>lower</b>	2	Cars with 5/8" A.R.B.
31	C3050 Metalastic type bush in <b>Top</b> wishbone	4	Also in polyurethane
32	C3003 Metalastic type bush in <b>Lower</b> wishbone	8	Also in polyurethane
33	C3021 Metalastic type bush in <b>Lower</b> wishbone	8	Also in polyurethane
34	C3053 Bush in Anti-roll bar link - <b>upper</b>	4	Also in polyurethane
35	C2891 Rubber seal under sidelight housing	2	<b>Early cars with chrome housing</b>
36	3432 Rubber seal - headlamp to body	2	
37	3483 Rubber boot for tail lamp	2	
38	21740 Rubber boot on rear brake backplate	2	
39	513 Grommet for oil pressure/temp. gauge lines	1	Covers cylinder & lever
40	BD8598B Wing piping in <b>Black</b> - Sold per foot	12ft	<b>Also comes in RGK120 kit</b>
	BD8598R Wing piping in <b>Red</b> - Sold per foot	12ft	For two wings
	BD8598W Wing piping in <b>Old English White</b> - Sold per foot	12ft	For two wings
	BD8598S Wing piping in <b>Silver</b> - Sold per foot	12ft	For two wings
41	RGK120 Grommet set for bulkhead & chassis	Set	
42	FRK120R <b>Roadster</b> full body rubber kit	1	Not inc. Wiring grommets, suspension bushes or brake components
	FRK120D <b>DHC</b> full body rubber kit	1	
	FRK120F <b>FHC</b> full body rubber kit	1	
43	BD3630 Cockpit roll bung - chrome plated	8	Use with #13 - BD3631
44	BD4374 Hood to OTS windscreen and spat seal	-	1 for hood - 2 for spats
45	SBG Blanking grommet for sills	4	



**FIG. 22**

PART #	DESCRIPTION	QTY REQ	REMARKS
1	C4393 Knob - operating water valve	1	
2	C4392 Valve - controlling water supply to heater	1	
3	Heater hose - see hose kit - HK120	1	Comes in hose kit
4	C4395 Bracket supporting control valve	1	All models
5	C13232 Front return pipe - runs alongside cylinder block	1	Comes with C4837 clips
5a	C4402 Clips - securing front return pipe	2	
6	HEA2 Trunking from heater to air vents	1x 4 ft.	Sold as car length
7	HEA3 Heater unit - reconditioned original	1	Outright sale
7A	HEA3C Heater matrix (radiator)	1	Correct thickness!
8	C5485 Knob for heater fan switch	1	
9	C4543 Heater rheostat switch	1	When available
9a	C4543SK Replacement heater fan switch & knob	1	Can replace original
10	HEA5 Heater hose 1/2" diameter ( <b>per foot</b> )	As req.	Sold per foot length
11	C4400 Heater valve metal pipe	1	
12	BD6521 Demister hose tee piece	1	All round heaters
13	BD6579/80 Demister dash vent outlets (fishtails)	Pair	<b>DHC/FHC</b> only
14	BD6429 Demister chrome vents	2	All models

Note that the illustration of the dashboard panel is for LATE cars approx. 1952 on.  
 For early dash panels etc. - please enquire



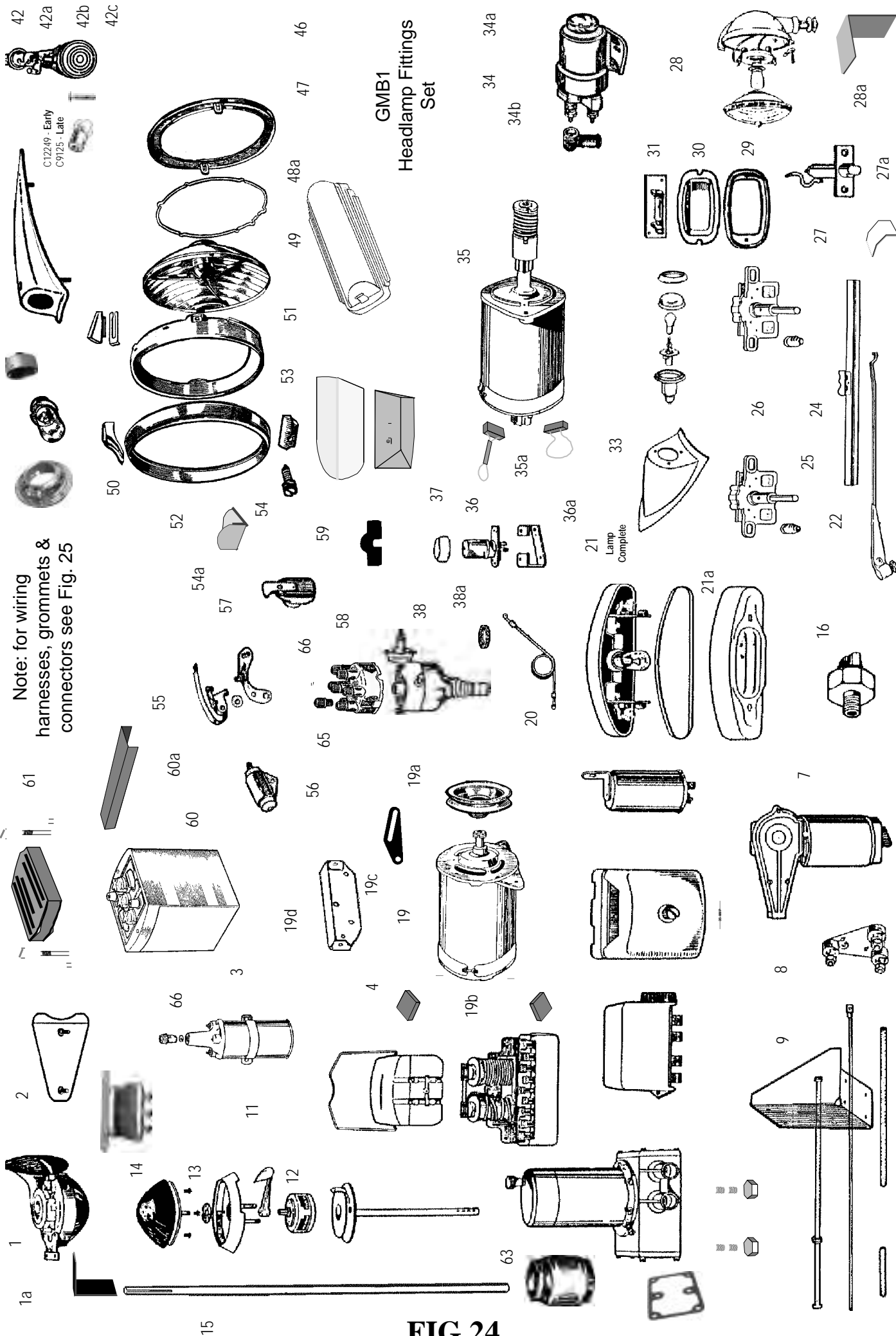
**Chrome eyelets for dashboard - late cars**

C2763	X	1	For road light switch
C5465	X	1	For ignition switch
C2769	X	2	For wipers & interior switch
C4630	X	3	For heater, panel and starter switch

**FIG. 23**

	<b>PART #</b>	<b>DESCRIPTION</b>	<b>QTY REQ</b>	<b>REMARKS</b>
1	C8395	Instrument mounting panel (steel)	1	Later cars
	Various	<b>Earlier</b> instrument panels available secondhand	—	<b>Chassis # required</b>
2	C5389E	Various reconditioned speedometers in stock - <b>Exchange</b>	—	Please give chassis and face No.
3	C2775E	Rev. counter - reconditioned	1	<b>Exchange</b>
4	C2753E	Ammeter - reconditioned	1	<b>Exchange</b>
5	C1431E	Oil & water gauge - reconditioned	1	<b>Exchange</b>
6	C7131E	Petrol gauge - reconditioned - <b>Later cars</b>	1	<b>Exchange</b>
6a	C2776E	Petrol gauge combining oil level indicator - <b>Early cars</b>	1	<b>Exchange</b> (reconditioned)
6b	C2759	Oil/petrol level switch - <b>Early cars</b>	1	
7	C5485	Knob for heater fan switch	1	
8	C4543	Rheostat switch to heater fan motor	1	
9	C4626	<b>'TRF'</b> bezel for trafficator warning	1	Cars with indicators
10	C11677	Cigar lighter - complete assembly	1	<b>Later cars</b>
10a	C1430	Cigar lighter - <b>Early cars</b>	1	With dummy lens
11	C5481	Handle operating light switch	1	Later cars
11a	LSH	Handle for light switch - <b>Early cars</b>	1	'T' shaped
11b	LSHS	Screw for <b>Early</b> light switch 'T' handle	1	
12	C2762	Escutcheon for light switch	1	<b>Early cars - 'Off - S - H'</b>
12a	C8165	Escutcheon for light switch - <b>Later cars</b>	1	<b>'O - S - H'</b>
13	C5577	Switch for road lights - <b>Later cars</b>	1	
13a	C2757	Switch for road lights - <b>Early cars</b>	1	<b>Early cars</b> - takes 'T' handle
14	BD10610	Locking barrel for ignition switch (inc. key)	1	
15	C5459	Ignition switch only (Barrel not included)	1	
16	C4625	<b>'IGN'</b> bezel for ignition warning	1	All models
17	C5482	Knob for panel light switch	1	
18	C5460	Rheostat switch for panel light	1	<b>Later cars</b> (For early see C2744)
19	C5483	Knob for interior light switch	1	
20	C5463	Switch for interior light	1	
21	C5480	Knob (Button) for starter switch	1	
22	C5461	Starter switch (C5480 <b>not</b> inc.)	1	<b>Later cars</b>
23	C5484	Knob for screen wiper switch	1	
24	C4522	Windscreen wiper switch	1	<b>Later cars</b> (for early see C2744)
25	C2744	Panel and wiper switch complete - <b>Early cars</b>	2	Complete with chrome knob
26	CL1E	Time clock - reconditioned	1	<b>Exchange</b> (fits in rev. counter)
26a	1963	Adjuster for time clock	1	New
27	987	Screw-in dash light bulb	8	
28	C5472/7	Vacuum "Switch" for washers	1	

**Note:** For Speedo and Rev. counter cables, see Figure 25.



Note: for wiring harnesses, grommets & connectors see Fig. 25

GMB1 Headlamp Fittings Set

FIG 24

	PART #	DESCRIPTION	QTY REQ	REMARKS
1	C2827/8	Horns (high & low note)	Pair	<b>Sold in pairs only</b>
1a	C2947	Horn mounting bracket	2	
1b	HR1	Lucas style 60's period horns	Pair	Cheaper alternative
1c	C4532	Relay for horns	1	
2	C5259	Coil mounting bracket	1	
3	C8749	Ignition coil	1	Screw connections
3a	C5451	"Acorn" nut for coil	1	Holds HT cable in coil
4	C2530E	Voltage regulator box - <b>Reconditioned</b>	1	<b>Exchange</b>
5	C4518	Indicator/Brake light relay	1	As original
6	C9688	Petrol pump - complete	1	<b>Outright</b>
6a	AZX1319	60's style petrol pump - <b>round base type</b>	1	Cheaper alternative
7	C5231E	Wiper motor - reconditioned	1	<b>Exchange</b>
8	EL1014	Wiper motor mounting	1	Plate with 3 rubber mounts
9	C2670	Bracket mounting wiper motor to scuttle	1	
11	C4514	Manette control - (horn/indicator assembly)	1	Complete assembly
12	324655	Lever operating trafficator switch	1	Chromed
13	322168	Chrome rim around horn button	1	
14	322167	Plastic horn push button	1	<b>When available!</b>
15	323418	Stator tube - from manette head down column	1	<b>Stainless steel</b>
16	C3901	Stop-light (brake light) switch	1	
17	C5230	Flasher unit	1	
18	C2829	Fuse box assembly (with lid)	1	
18a	C2829L	Plastic lid only for fuse box	1	
18b	C5638	Glass fuse for fuse-box - 35amp	4	Also (2) used on voltage reg. box
19	C5453E	Dynamo - reconditioned	1	<b>Exchange</b>
19a	C2579	Pulley for dynamo	1	Pulley/fan combined
19b	2784	Brushes for dynamo	Pair	Sold in pairs only
19c	C2286	Dynamo adjusting link	1	
19d	C8620	Dynamo mounting bracket	1	Mounts dynamo to block
20	C2581	Advance/retard (vacuum) pipe to distributor	1	
21	C2838	Number plate and reverse light assembly	1	Fully chromed
21a	3479	Chrome cover with lens for reverse lamp	1	
22	737624/5	Wiper arms - <b>sold in pairs</b>	Pair	
24	C11844	Wiper blade	2	
25	3522	Wheelbox spindle grommet	2	
26	72630	Wiper wheelbox assembly	2	
	72590	Wiper wheelbox	2	<b>DHC/FHC</b>
27	C2873	Switch for boot interior light	1	<b>Roadster</b>
27a	C4073	Striker plate for bootlight switch	1	<b>Chromed</b>
28	C2988	Fog lamp assembly	2	<b>Chromed</b>
	SLR700	Spot lamp assembly	2	<b>Chromed</b>
28a	C2985/6	Fog/spot lamp mount brackets	Pair	<b>Chromed</b>
29	3413	Boot light chrome rim	1	
30	3414	Boot light lens	1	
31	BD826	Boot light bulb holder	1	
31a	BD826/1	Bootlight assembly - <b>complete</b>	Set	Bulb, holder, lens & rim
32	C2993	Tail/stop lamp assembly	2	
32a	3483	Rubber boot only for taillamps	2	
32b	3484	Red lens only for taillamp	2	
33	BD4529	Housing for tail/stop lamp - <b>L/hand</b>	1	
	BD4530	Housing for tail/stop lamp - <b>R/hand</b>	1	
34	C2692	Starter solenoid assembly	1	
34a	BB1	Button boot for solenoid	1	As original
34b	C4650	Rubber boot for solenoid cables	2	1 used on starter cable
35	C2746E	Starter motor - reconditioned	1	<b>Exchange only</b>
35a	2804	Starter motor brushes	Pair	Sold in pairs only
36	C2639	Headlight dipswitch	1	
36a	C2837	Mounting bracket for dipswitch	1	
37	C2659	Rubber cap over headlight dipswitch	1	
38	C5469E	Distributor - <b>Exchange</b>	1	Cap & Rotor arm <b>NOT</b> included
38a	C2430	Cork sealing ring for distributor	1	
39	C2881	Sidelight chrome shell	2	<b>Early roadster only</b>
	SID150	Weld-on sidelight housing	2	<b>All except early roadsters</b>
40	C4691	Red indicator in sidelight casing	2	<b>All with weld-on housings</b>
41	C4098/2	Spring clip securing red indicators	2	<b>All with weld-on housings</b>
42	C2751	Sidelamp interior assembly	2	<b>Early roadster only</b>
42a	C4554/1	Sidelamp interior assembly	2	<b>All with weld-on housings</b>
42b	SLO1	Sealing ring for early sidelights	2	<b>Early roadster only</b>
42c	SLO2	Chrome screw holding sidelight	2	<b>All with weld-on housings</b>
				For C2751 light
42d	BD4549/2	Screw holding side lamp	2	Chrome plated
44	302	Headlamp bulb	2	12volt 48/48 Watt
	302H	Halogen headlamp bulb - replaces std. 302 bulb	2	12 volt 65/55 watt
45	3447	Backshell for bulb (bulb holder)	2	Silvered - as original
46	3432	Rubber sealing ring (headlamp to body)	2	
47	3433	Headlight fixing ring to body	2	
48	GMB1	Fixing kit for headlamp units	Car set	Screws, nuts & springs
48A	3431	Wire retaining light unit in inner rim	2	
49	3449	"Tripod" headlight, lens & reflector unit	2	PF770
50	14/0281	Chrome embellisher at top of outer headlamp rim	2	
51	3430	Inner headlamp rim	2	Chromed
52	3453	Outer headlamp rim	2	Top & Bottom embellisher <b>not incl.</b>
53	14/0224	Chrome embellisher at bottom of outer headlamp rim	2	
54	5294	Screw securing outer rim	2	Chromed
54a	HLP1	Fixing lug for lower headlamp screw	2	Slots into bodywork
55	2929	Ignition contact points	1	
56	2928	Ignition condenser	1	
57	6060	Ignition rotor arm	1	
58	2927	Cap for distributor (including nuts)	1	<b>Vertical outlet</b>
59	2935	Bridge piece in distributor	1	
60	C2767	Battery - <b>as original</b>	2	<b>Dry charged</b>
60a	BD3165	Steel strap holding down batteries	2	
61	C2768	Bakelite lids for batteries	2	As original (incl. fixings)
62	FPMK	Fuel pump mounting kit	1	Studs, grommets, nuts & washers
63	C2839	Rubber cover over fuel pump	1	
64	AUA869	Terminal 'nut' on petrol pump	1	Holds electric wire to pump
65	410600	"Acorn" nut in distributor cap	7	Hold HT cable to cap
66	C5452	Brass "washer" under acorn nut	8	for electrical contact
67	BD862	Interior light for DHC	1	DHC
67a	BD14049	(150) interior light for DHC	1	Cheaper alternative!
68	BD5368	Interior lamp assembly - <b>R/hand - complete with lens</b>	1	FHC
	BD5367	Interior lamp assembly - <b>L/hand - complete with lens</b>	1	FHC
69	63	Lens only for interior light - <b>R/hand</b>	1	FHC
	64	Lens only for interior light - <b>L/hand</b>	1	FHC
70	3581	Wiring adapter for headlamps	2	
71	2822	Starter pinion and sleeve only	1	10 teeth
72	2820	Starter main spring only	1	
73	6046	Points (contacts) for petrol pump	1	
74	AUA4646	Gasket for end plate on petrol pump	2	





2



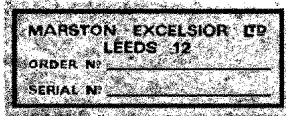
9



Heater Caution Plate and Early & Late Chassis Plates are now Chemical etched as original

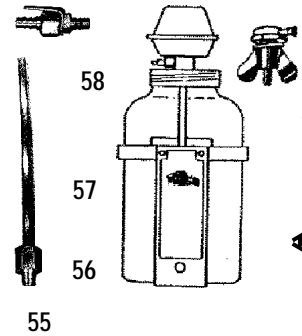


10



12a

12



18

19

63



62

3



4



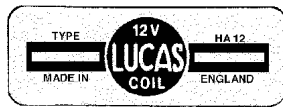
5



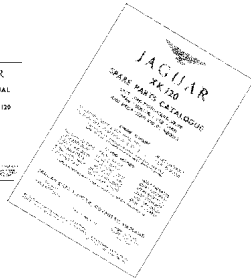
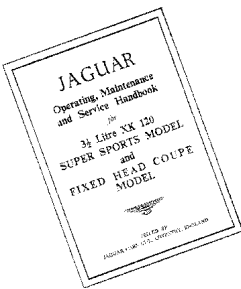
8

7

7a



### Tools for Jaguar

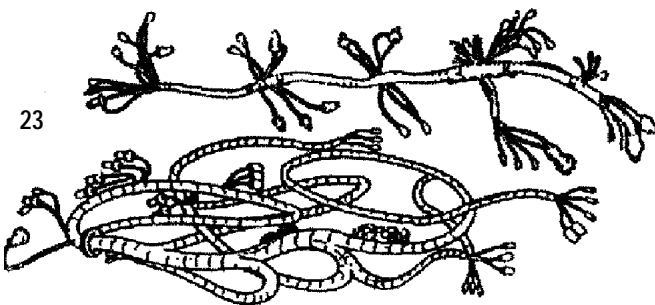


11

11b

20

11a



23

24

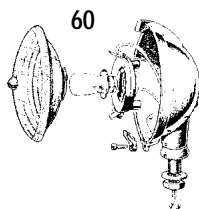
26

25

27

28

29



52

60

61



51

59

30

30A

31

33

32

34

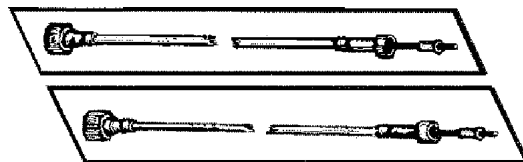
35

36

37

38

39



37

38

39a

39

FIG. 25

NO	PART	DESCRIPTION	QTY	REMARKS
2	ACC2	Running in Decal - Jaguar "wings"	1	Fitted to all XK's
3	ACC3	"TRICO" washer bottle decal	1	As original
4	ACC4	AC Air cleaner sticker - round	1	As original - <b>Roadster</b>
	ACC7	AC air cleaner sticker - square	1	As original - <b>DHC/FHC</b>
5	ACC5	"Made in England" brass tag	1	Fitted to export cars
6	ACC6	Wiper blade sticker - on washer bottle lid	1	As original
7	BD8294	Exact Replica plate (Jabbeke plate)	1	<b>Later cars - 141.58mph</b>
7a	BD8294a	Exact Replica plate (Jabbeke plate)	1	<b>Early cars - 132.6mph</b>
8	ACC8	"Lucas" Coil sticker	1	Silver
9	ACC9	"Lucas" Battery sticker	2	
10	ACC10	Caution plate (on heater) -Chemically etched-	1	
11	ACC11	Spare parts catalogue	1	Reprint of original
11a	ACC11a	Owners handbook	1	Reprint of original
11b	ACC13	Workshop (service) manual	1	Covers <b>all XK</b> & MK7
12	C2840	Chassis plate ( <b>early roadsters</b> ) -Chemically etched-	1	Nickel on Brass plate
12a	C7704	Chassis plate ( <b>later cars</b> ) -Chemically etched-	1	OTS ( <b>later</b> ) & DHC/FHC
13	C992	Hammer - copper/hide - for wheel spinners	1	Wire wheel cars only
14	C2882	Tool roll in canvas	1	As original
15	C3993	Cam setting gauge	1	As original
	C2999	Pouch for C3993 - Cam setting gauge	1	In leather
16	C2954	Ratchet handle for jack	1	As original
17	C2953	Jack - exact reproduction	1	With correct foot
17a	BD3527	Rubber boot for end of jack	1	Holds jack in boot
	BD3535	Clip for BD3527	1	Holds jack in boot
	BD3431	"Terry" clip holding jack in boot	1	
18	C5473/4	Washer jet	2	As original
19	C5473/1	Washer bottle assembly - All models	1	Jar, lid, pump & bracket
	WBL120	Washer bottle <b>lid only</b>	1	<b>No pump - lid only</b>
20	RGK120	Rubber grommet kit for wiring, brake/fuel lines	1	For bulkhead & chassis
23	WLL120A	Wiring harness	1	LHD aluminium roadster only
	WLR120A	Wiring harness	1	RHD aluminium roadster only
	WLL120E	Wiring harness - <b>No flashers</b>	1	LHD early Roadster
	WLR120E	Wiring harness - <b>No flashers</b>	1	RHD early Roadster
	WLL120L	Wiring harness - <b>With flashers</b>	1	LHD - later cars with flashers
	WLR120L	Wiring harness - <b>With flashers</b>	1	RHD - later cars with flashers
24	ACC24	Snap connector - single	As required	
25	ACC25	Snap connector - double	As required	
26	ACC26	Snap connector - 5 way	1	All models
27	ACC27	Snap connector - 10 way	1	All models
28	ACC28	Bracket for use with 10 way connector	1	All models
29	ACC29	Bracket for use with 5 way connector	1	All models
30	C12436	Wire wheel chromed with stainless spokes	5	60 spoke only
	C14023	Wire wheel painted in silver	5	60 spoke only
30A	C1102	Spinner for wire wheel <b>R/Hand</b>	2	As original 2-ear
	C1103	Spinner for wire wheel <b>L/Hand</b>	2	As original 2-ear
31	C5603	Spoke - short for 16" wire wheel	As required	
32	C5602	Spoke - long for 16" wire wheel	As required	
33	C5604	Nipples on spoke end	As required	
34	C3041	Wheel nut	20	<b>Not stainless</b>
35	C3367	"Jaguar" badge on hub cap centre	4	Steel wheel cars only
36	C3243	Hub-cap (Badge #35 not included)	4	Steel wheel cars only
37	C1434	Speedo cable - <b>Early cars</b> - 65" long	1	<b>Early</b> OTS & FHC
	C8303	Speedo cable - <b>Later cars</b> - 60" long	1	All models
38	C2777	Rev-counter cable 22" long	1	<b>Early</b> roadster
	C5594	Rev-counter cable - 19" long	1	<b>Later</b> roadsters (most)
	C8272	Rev-counter cable 16" long	1	<b>DHC/FHC</b>
39	BD2954	Bonnet release cable - inner & outer	1	
39a	C4443a	Bonnet cable adjuster assembly	1	Screw and abutment post (C3380)
40	C14602	"Ace" Rimbellisher (stainless steel)	4	Period option
41	C997	Tyre pump with flex	1	As original
42	C993	Tyre valve extractor in brass	1	As original
43	C4670	Gauge for tyre pressure - original	1	<b>When available</b>
44	C5587	Feeler gauge set	1	
45	C5444	Feeler gauge/screwdriver for distributor	1	As original
46	C4560	Grease gun - tecalemit GB2788	1	As original
47	2072	"T" key for budget locks & spat locks	1	As original
48	C28	Screwdriver with wooden handle	1	
49	C34	Tommy-bar <b>short</b>	1	repro
	C2896	Tommy-bar <b>long</b>	1	Repro
50	C2958	Brake bleed tube tin	1	As original
51	C3760	Dunlop "Roadspeed" <b>crossply</b> tyre	5	As original
	MICH	Michelin "X" <b>Radial</b> tyre - SR rated	5	Radial replacement
	AVON	Avon "Turbosteel" <b>Radial</b> tyre - VR rated	5	Radial replacement
	C5636	Inner tube for tyres	5	
	C5636b	Band on wheel rim (rubber)	5	Protects tube from spokes
52	C2988	<b>Fog</b> lamp assembly - complete	2	Chromed
	SLR700	<b>Spot</b> lamp assembly - complete	2	Chromed
	C2988L	Lens/reflector unit for <b>Fog</b> lamp	2	
	SLR700L	Lens/reflector unit for <b>Spot</b> lamp	2	
54	C2985/6	Pair fog/spot lamp mounting brackets	Pair	Chromed
55	C13260	Vacuum hose for windscreen washers	1	<b>Sold as car length</b>
56	WJT	Hose from washer bottle to jets	1	<b>Sold as car length</b>
57	C11490	Vacuum take-off adapter for washers	1	Screws into manifold
58	C11491	Vacuum non-return valve	1	In-line (fits into C13260 hose)
59	ST1	Wooden tool to remove spinners	1	Protects the chrome!
60	323	Bulb for fog or spot lamp	2	
61	C5204	Earth terminal	1	
62	ACC23	"Marston" radiator brass plaque	1	Fits to radiator tank
63	C5473/6	"T" piece for washer jets	1	

# HOW TO ORDER – TERMS & CONDITIONS

**POLICY** - It is our policy to offer the widest range of parts available at competitive prices, coupled with a friendly and helpful service.

**ORDERING** - We welcome visitors to our premises, or orders can be made by mail or telephone on the following numbers:

<b>MONDAY TO FRIDAY -</b>	<b>9.00 AM TO 5.30 PM</b>	<b>01676 541980</b>
	<b>OR MOBILE:</b>	<b>07860 505619</b>
	<b>FAX LINE:</b>	<b>01676 542427</b>

**PAYMENT** - Payment may be made by cash, personal cheque, up to the guaranteed limit or by certified bank draft. Access (Master Charge) and Visa Credit Cards are accepted and are particularly useful for telephone orders.

**UK EXCHANGE UNITS AND SURCHARGES** - Certain items are available on an exchange basis, that is, your old unit must be returned to us for reconditioning. If an old unit is not returned to us at time of ordering, a deposit surcharge is payable. These surcharges are clearly identified in the Guy Broad Price List. Upon receipt of the old unit the surcharge will be refunded, provided that the return unit is of reconditionable quality. Some units are only offered as customer own unit rebuilt due to rarity. Finally, if in doubt, please telephone.

**OVERSEAS ORDERS** - When ordering from abroad, please ensure you enclose full details of your car, i.e. engine, chassis number, left hand or right hand drive, year of manufacture etc. Goods will be sent all carriage charges forward unless pre-paid.

**Note:** overseas orders are subject to local import duty and customs clearance which will need to be paid at point of entry.

**EXPORT QUOTATIONS** - These may be obtained by fax, mail or telephone on the above numbers. Payment for export purchases may be made by the following methods; Sterling Travellers Cheques, Eurocheque, Access or Visa (Barclay) Card, Giro Cheque or Bank Transfer against a quotation.

**EXPORT EXCHANGE UNITS** - We regret that, on export orders for items that are supplied on an exchange basis, it is essential that an old unit of reconditionable quality is received before any item is supplied to the customer.

**CARRIAGE/PACKING CHARGES** - We will use the most economical method available to send your goods. For urgent orders, please contact our telephone sales staff, who will advise you.

**BACK ORDERS** - We try to keep large stocks of all items listed in the catalogue, but occasionally we exhaust our stocks. If we are unable to supply any ordered items within 14 days, the order will be considered cancelled unless you state otherwise. A full refund for any items charged but not supplied will be made on cancellation of the order.

**WARRANTY** - All parts are fully warranted against defects in materials and workmanship. In most cases, warranty will not cover labour, failure of a related component, failure resulting from faulty installation or misuse, nor would liability exceed the cost of the original component. During the Warranty Period (usually 12 months) please contact us immediately if any problem occurs. We will then advise you as to the best course of action. **With all claims a copy of the purchase invoice must be provided.**

**QUERIES, ADVICE, RETURNS** - If you have any problems with items purchased from Guy Broad Parts, we will do our best to answer them. Please telephone a member of our sales staff.

## TERMS AND CONDITIONS OF SALE

- 1 Payment must be made for all orders prior to despatch unless other arrangements have been made.
- 2 All parts supplied carry manufacturers warranty, this does not affect your statutory rights. The invoice number must be supplied with any claim regarding faulty parts.
- 3 All mail order parts are insured by us or our appointed carrier. Claims of shortages or damage must be notified within three days of receipt of the order.
- 4 Goods damaged in transit. We are unable to replace goods if they have been signed for 'Received in Good Condition'. Do not sign until you have verified the condition of the delivered consignment.
- 5 Placement of an order will be taken as acceptance of the foregoing conditions.

Through our policy of friendly and efficient service, we hope to offer the best service available. Your support is greatly valued and your continued custom appreciated.

Whilst every effort is made to ensure the accuracy of the particulars contained in this document, Guy Broad Parts and any Manufacturing Companies will not, in any circumstances, be held liable for any inaccuracies or the consequences thereof.